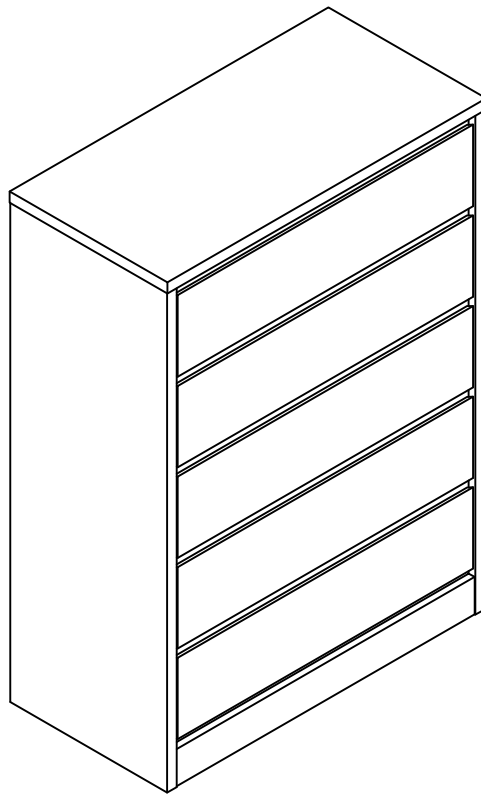


ASSEMBLY INSTRUCTION

ITEM#: K20001 K20002 K20003 K20004
K20005 K20006 K20007



ASSEMBLY INSTRUCTION

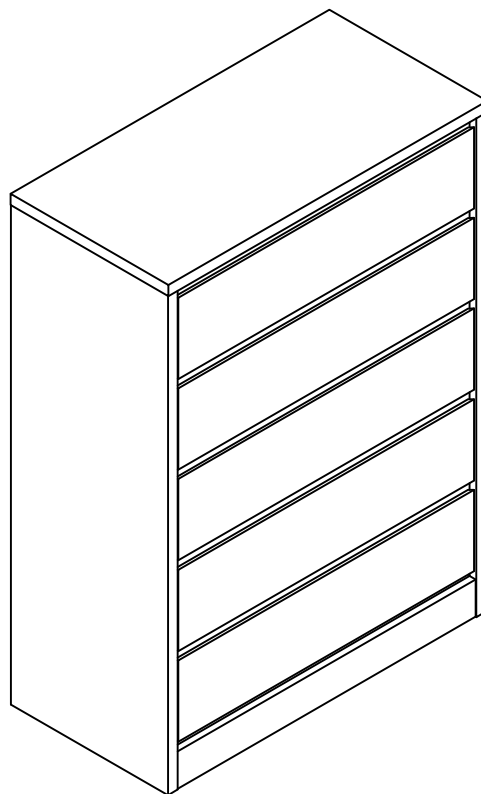
PLEASE READ BEFORE ASSEMBLING!

Tip #1: Make sure you've taken all the pieces and hardware out of its packaging before discarding the box.

Tip #2: Using page 2 and/or page 3 of instruction manual make sure all pieces and hardware are accounted for.

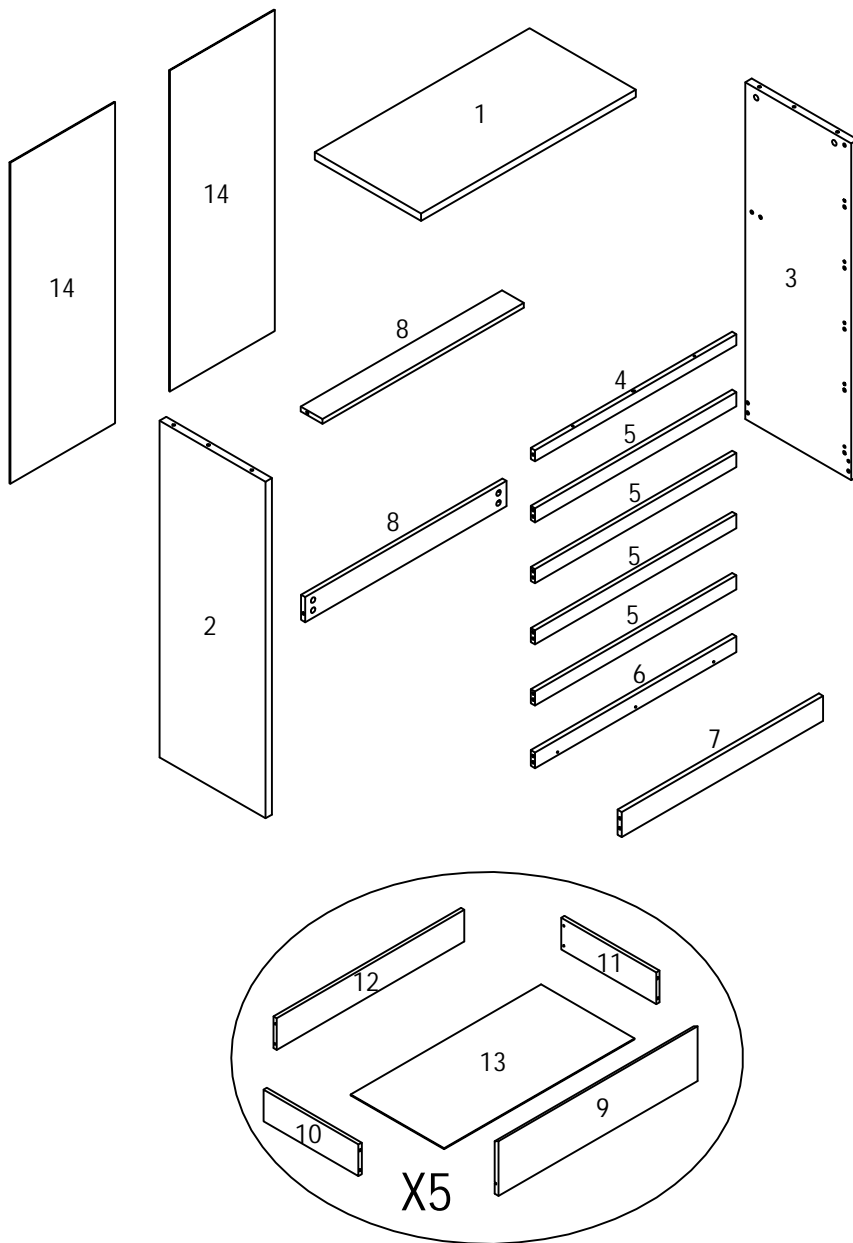
Tip #3: Read manual before assembling, it helps!

ITEM#: K20001 K20002 K20003 K20004
K20005 K20006 K20007



PARTS IDENTIFICATION

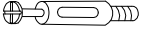


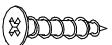
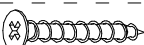


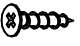
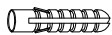


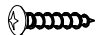


ITEM#: K20001 K20002 K20003 K20004
K20005 K20006 K20007



(1)	1pc	(6)	1pc	(11)	5pcs
(2)	1pc	(7)	1pc	(12)	5pcs
(3)	1pc	(8)	2pcs	(13)	5pcs
(4)	1pc	(9)	5pcs	(14)	2pcs
(5)	4pcs	(10)	5pcs		

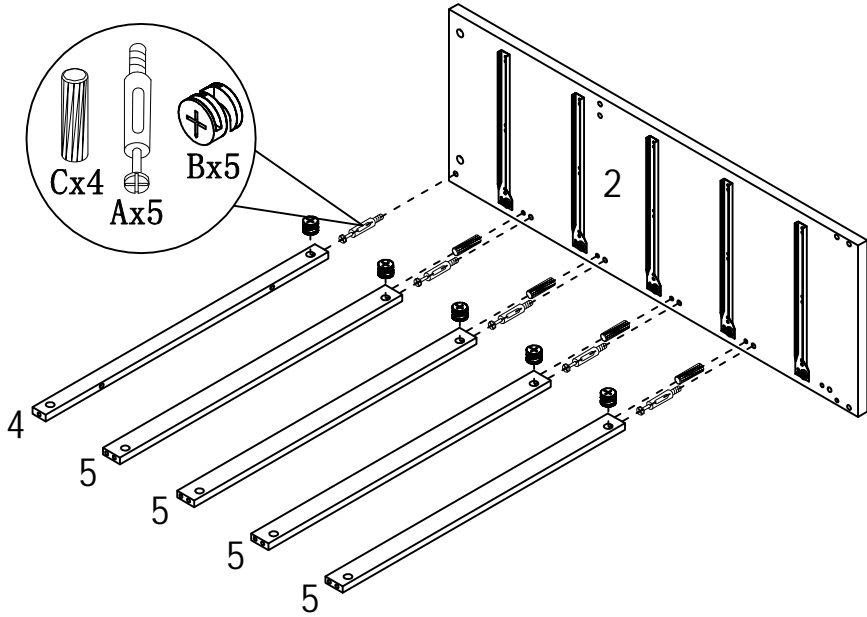
HARDWARE IDENTIFICATION

ITEM#: K20001 K20002 K20003 K20004
K20005 K20006 K20007

A		L29	26pcs
B		Ø15	26pcs
C		Ø8x25	15pcs
D		Ø4x25	3pcs
E		Ø4x50	2pcs
F			40pcs
G		Ø16	4pcs
H		Ø4x20	45pcs
I		Ø8x40	1pc
J		Ø12x12x1	2pcs
K		Ø5x40	1pc
L		Ø4x25	1pc
M		197×5×1	1pc
N		Glue: For securing please apply to wood dowel first before inserting into panel	1pc

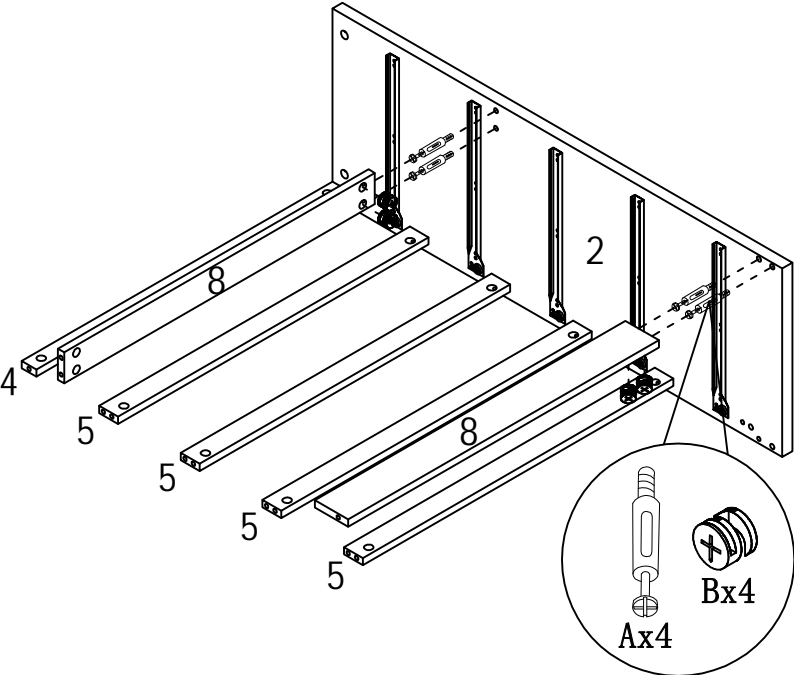
ASSEMBLY INSTRUCTION

ITEM#: K20001 K20002 K20003 K20004
K20005 K20006 K20007



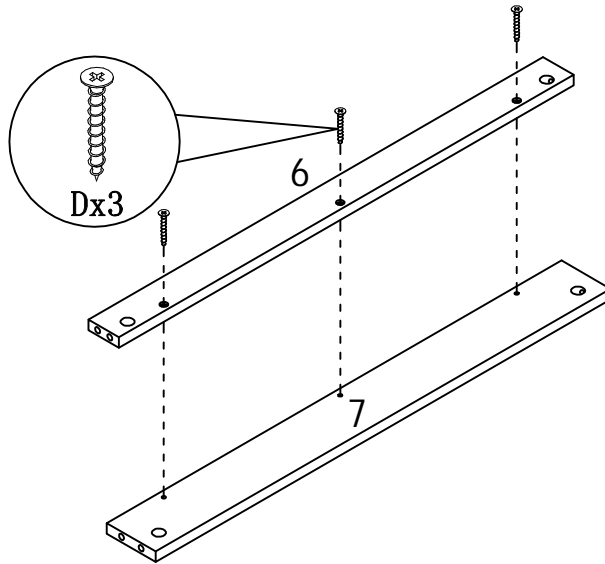
STEP1

STEP2



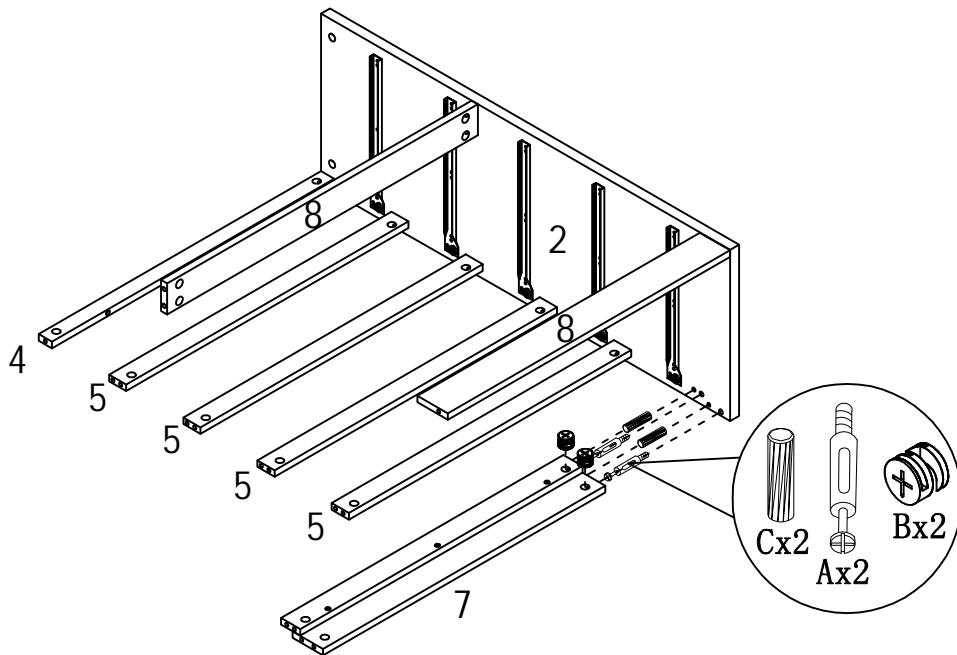
ASSEMBLY INSTRUCTION

ITEM#: K20001 K20002 K20003 K20004
K20005 K20006 K20007



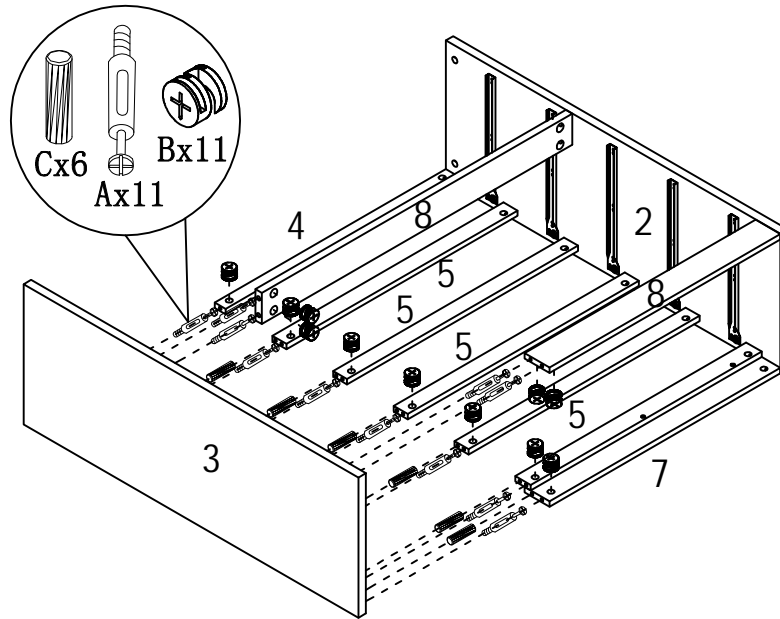
STEP3

STEP4



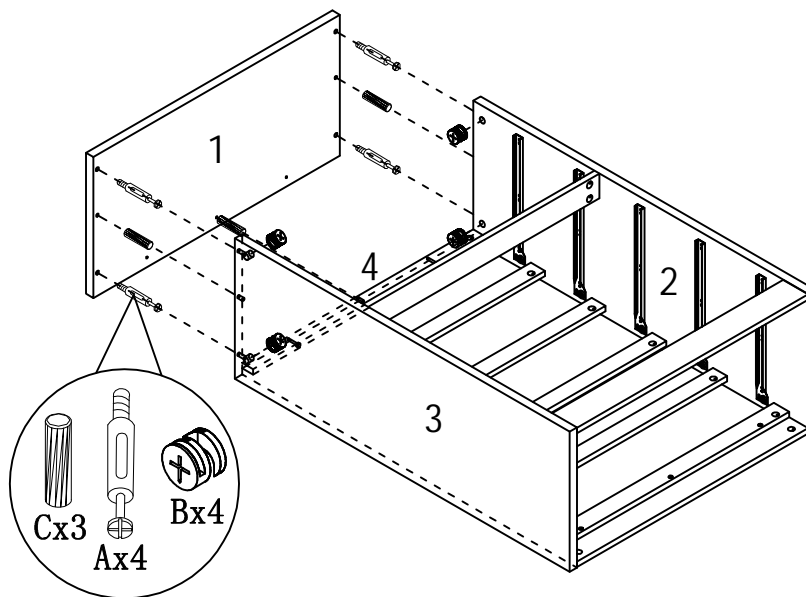
ASSEMBLY INSTRUCTION

ITEM#: K20001 K20002 K20003 K20004
K20005 K20006 K20007



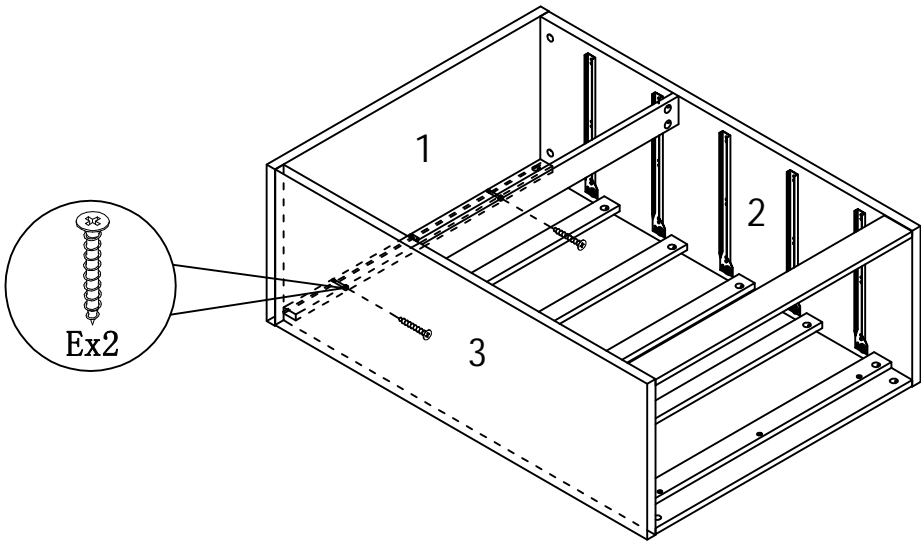
STEP5

STEP6



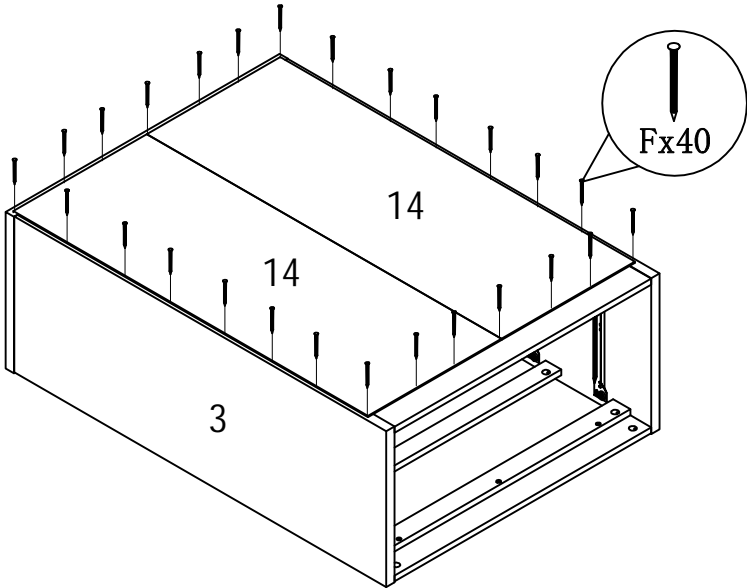
ASSEMBLY INSTRUCTION

ITEM#: K20001 K20002 K20003 K20004
K20005 K20006 K20007



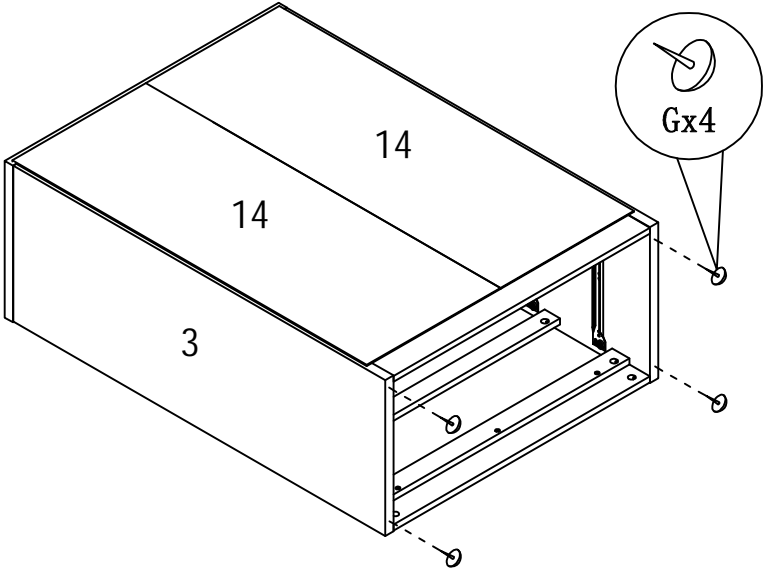
STEP7

STEP8



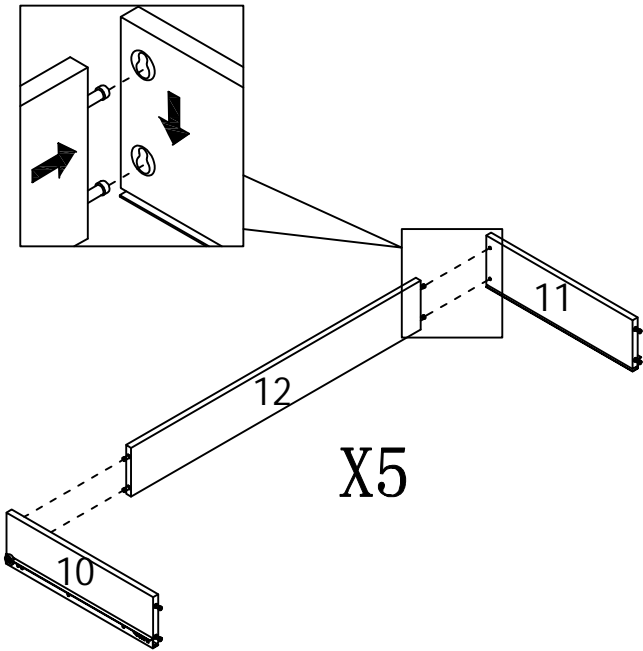
ASSEMBLY INSTRUCTION

ITEM#: K20001 K20002 K20003 K20004
K20005 K20006 K20007



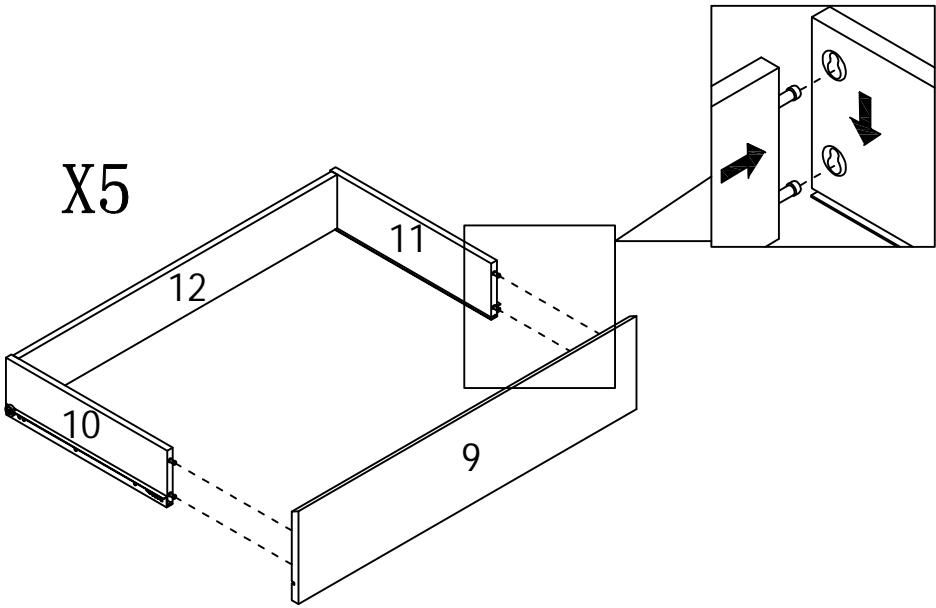
STEP9

STEP10



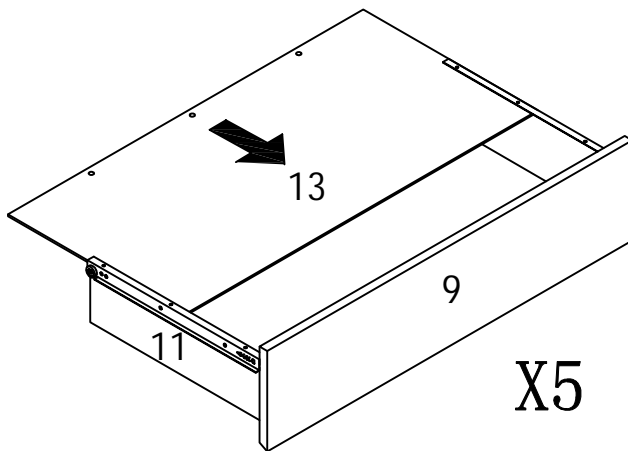
ASSEMBLY INSTRUCTION

ITEM#: K20001 K20002 K20003 K20004
K20005 K20006 K20007



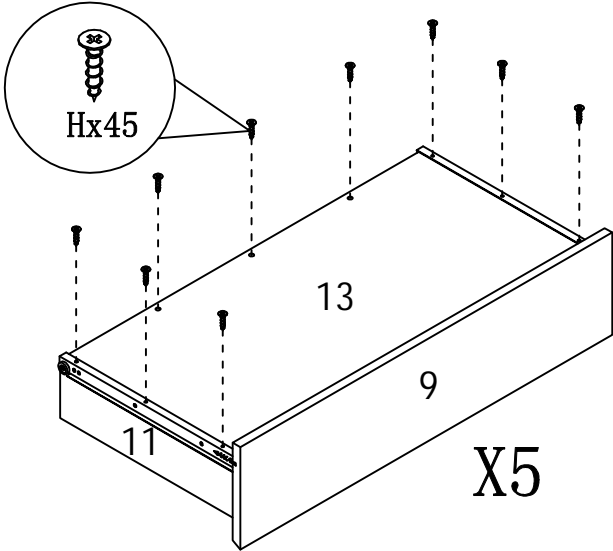
STEP11

STEP12



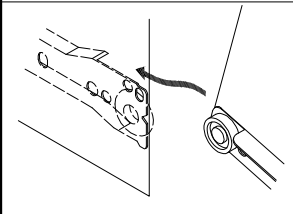
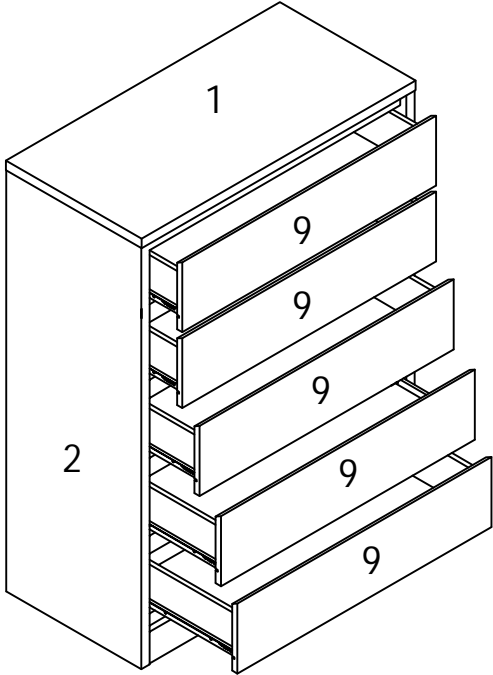
ASSEMBLY INSTRUCTION

ITEM#: K20001 K20002 K20003 K20004
K20005 K20006 K20007



STEP13

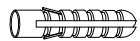
STEP14



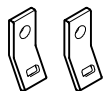
ANTI-TIPPING STRAP INSTRUCTION

HARDWARE (INCLUDED):

TOOLS NEEDED (NOT INCLUDED):



DRYWALL ANCHOR $\phi 8 \times 40$ X 1PC



METAL BRACKETS $12 \times 12 \times 1$ X 2PCS



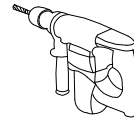
DRYWALL SCREW $\phi 5 \times 40$ X 1PC



STRAP $197 \times 5 \times 1$ X 1PC



FLATHEAD SCREW $\phi 4 \times 25$ X 1PC



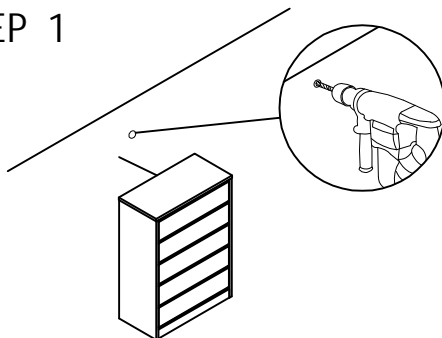
DRILL & DRILL BIT



LIGHT HAMMER

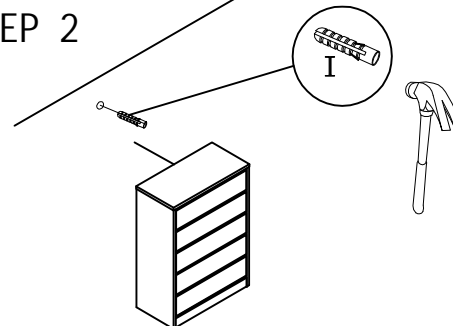
Note: Hardware included only compatible with standard drywalls.

STEP 1



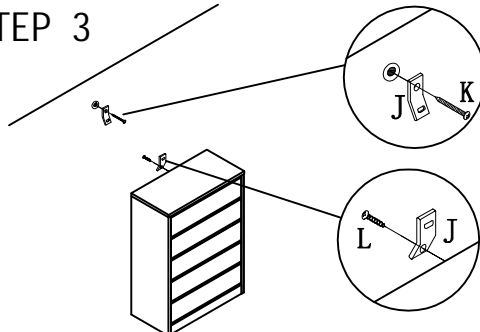
1. Find spot on wall 1" below top of item.
2. Using a drill bit slightly thinner than anchor, drill hole into drywall.

STEP 2



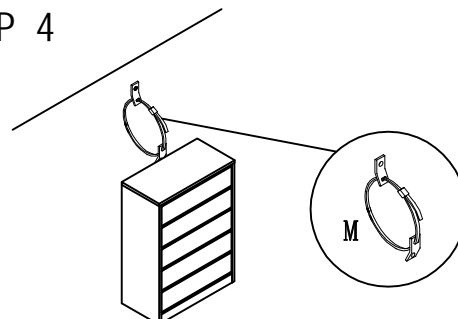
1. Use a light hammer to tap anchor into hole.
2. Anchor should fit snugly. If hole is too small, drill again to increase hole size. Do not force anchor into wall.

STEP 3



1. Insert drywall screw into metal bracket and into drywall anchor.
2. Insert flathead screw into second metal bracket and into back of item along top edge.

STEP 4



1. Insert strap thru bracket attached to wall, then thru bracket on item, and into head of strap.
 2. pull lightly til strap stops.
- Assembly is complete.