

ASSEMBLY INSTRUCTION

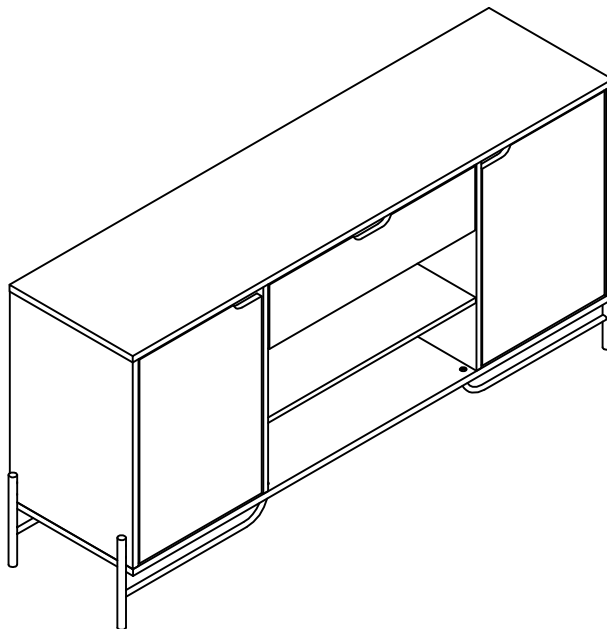
PLEASE READ BEFORE ASSEMBLING!

Tip #1: Make sure you've taken all the pieces and hardware out of its packaging before discarding the box.

Tip #2: Using page 2 and/or page 3 of instruction manual make sure all pieces and hardware are accounted for.

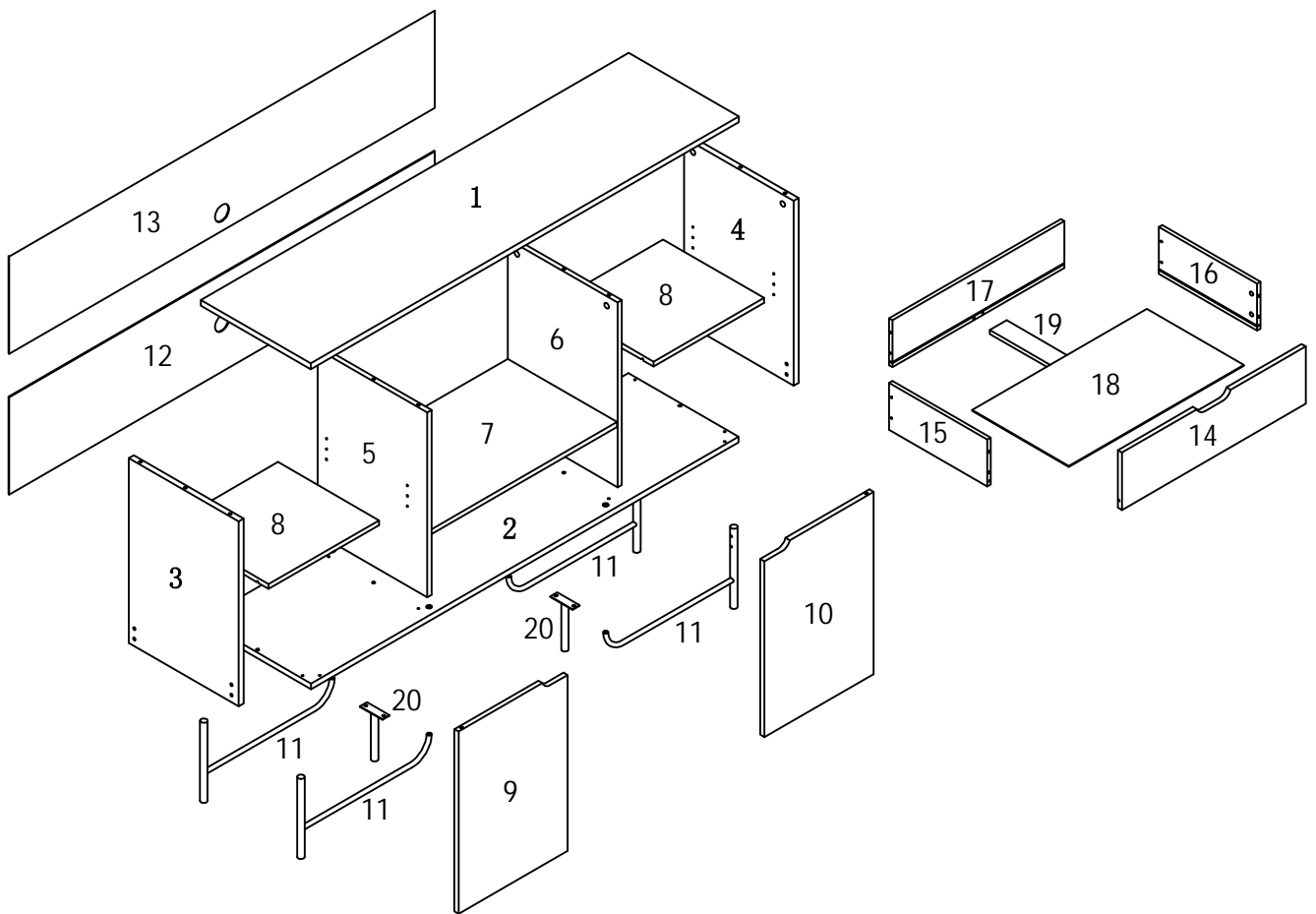
Tip #3: Read manual before assembling, it helps!

ITEM#: 223141/223142/223143



PARTS IDENTIFICATION

ITEM#: 223141/223142/223143

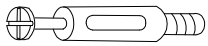


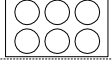
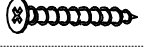


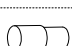
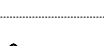

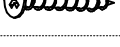



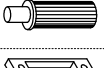

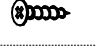



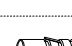
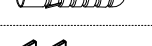



(1)	1pc	(7)	1pc	(13)	1pc	(19)	1pc
(2)	1pc	(8)	2pc	(14)	1pc	(20)	2pcs
(3)	1pc	(9)	1pc	(15)	1pc		
(4)	1pc	(10)	1pc	(16)	1pc		
(5)	1pc	(11)	4pcs	(17)	1pc		
(6)	1pc	(12)	1pc	(18)	1pc		

PAGE:2 OF 11

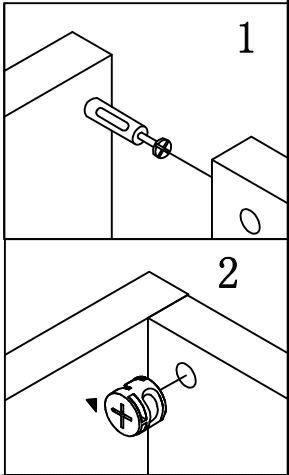
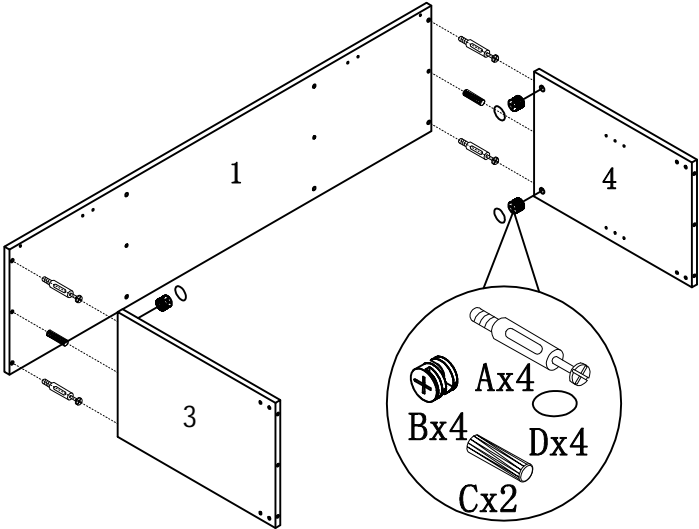
HARDWARE IDENTIFICATION

ITEM#: 223141/223142/223143

A		L29	12pcs
B		Ø15	12pcs
C		Ø8x25	10pcs
D		Ø22	8pcs
E		Ø4x40	8pcs
F		M6x25	12pcs
G		M6x12	4pcs
H		Ø5x15	8pcs
I			50pcs
J		Ø4x30	6pcs
K		Ø6x30	2pcs
L		L20	4pcs
M		Ø12	4pcs
N			2pcs
O			2pcs
P		Ø3x14	4pcs
Q			2pcs
R		Ø3x12	4pcs
S		197x5x1	1pc
T		Φ 8x40	1pc
U		12x12x1	2pcs
X		Φ 5x40	1pc
Y		Φ 4x25	1pc

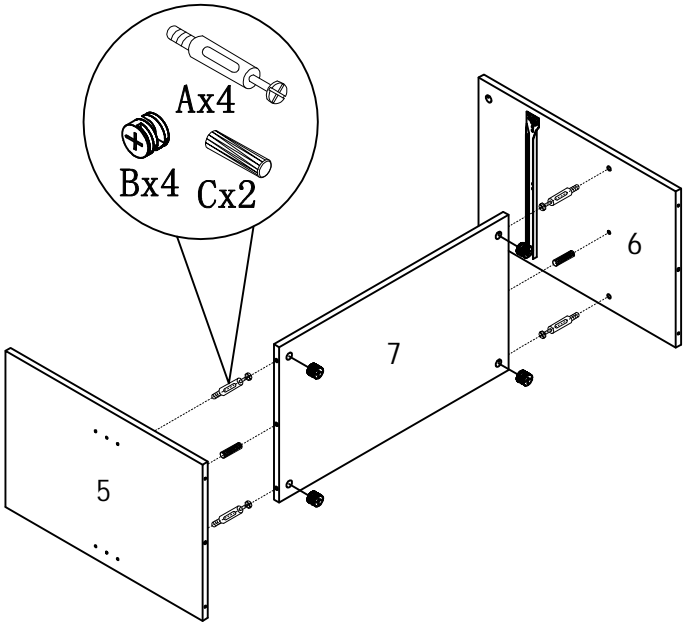
ASSEMBLY INSTRUCTION

ITEM#: 223141/223142/223143



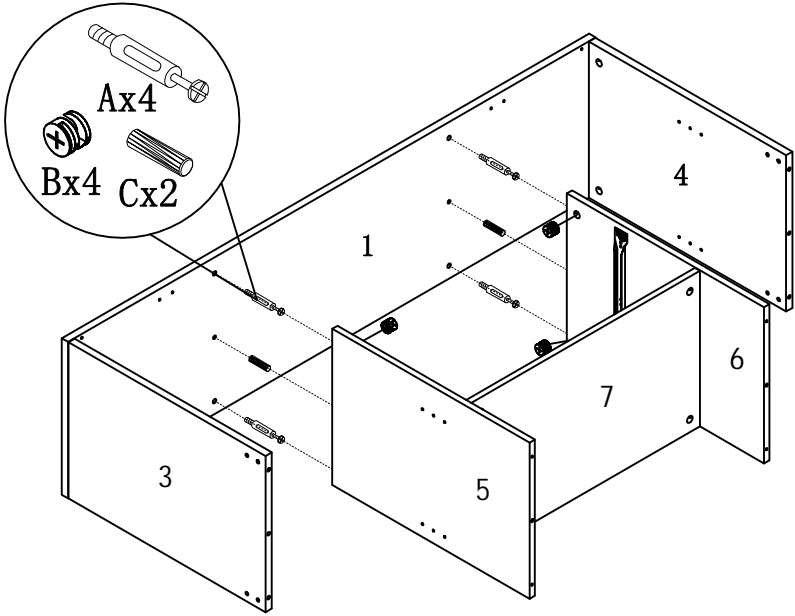
STEP1

STEP2



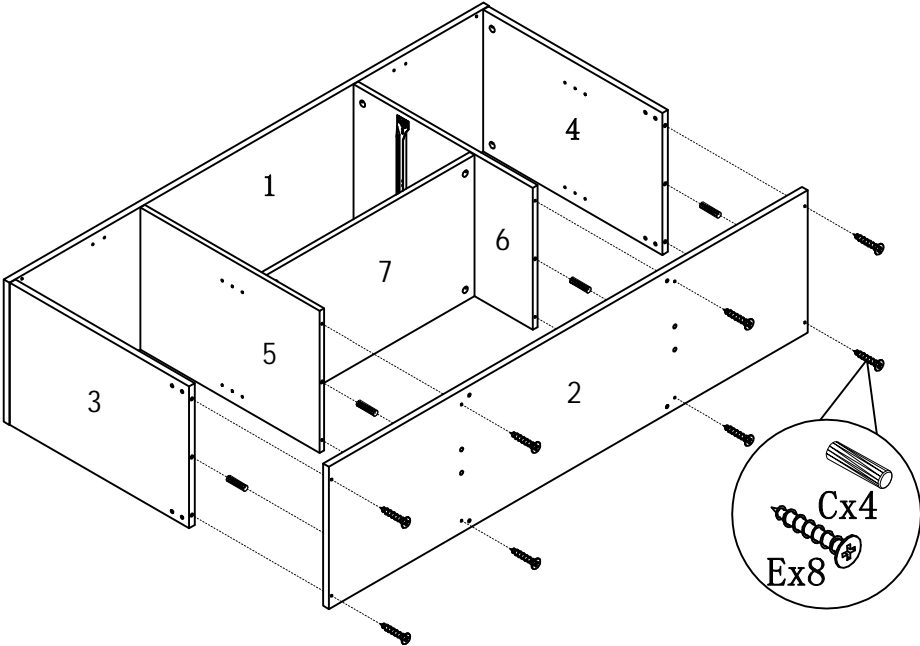
ASSEMBLY INSTRUCTION

ITEM#: 223141/223142/223143



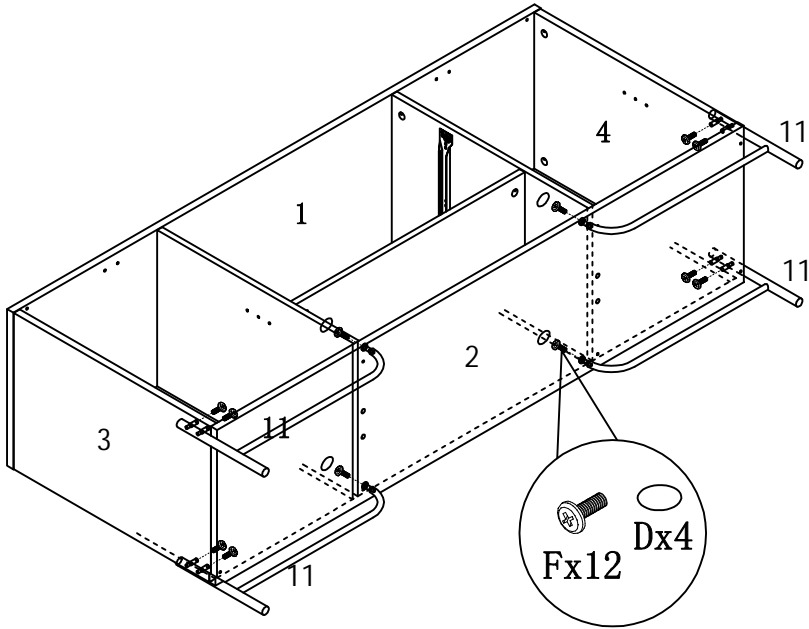
STEP3

STEP4



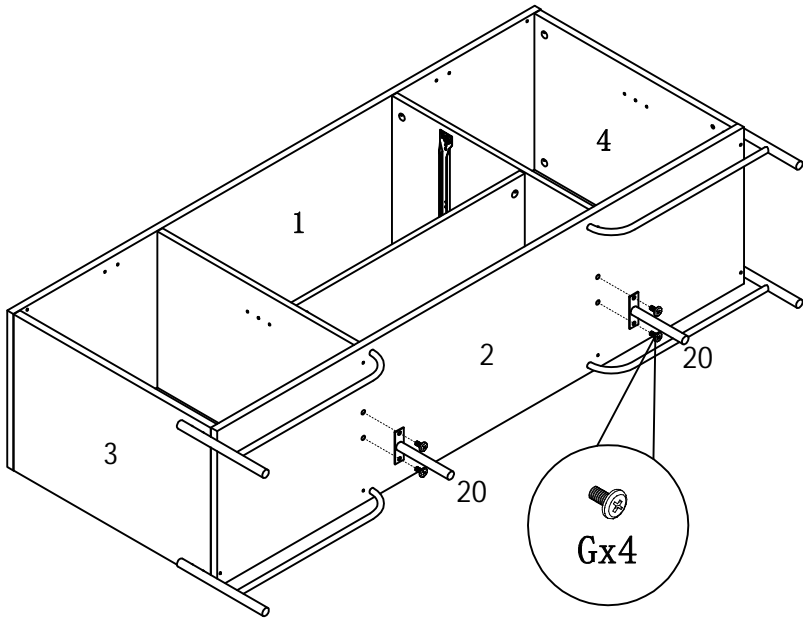
ASSEMBLY INSTRUCTION

ITEM#: 223141/223142/223143



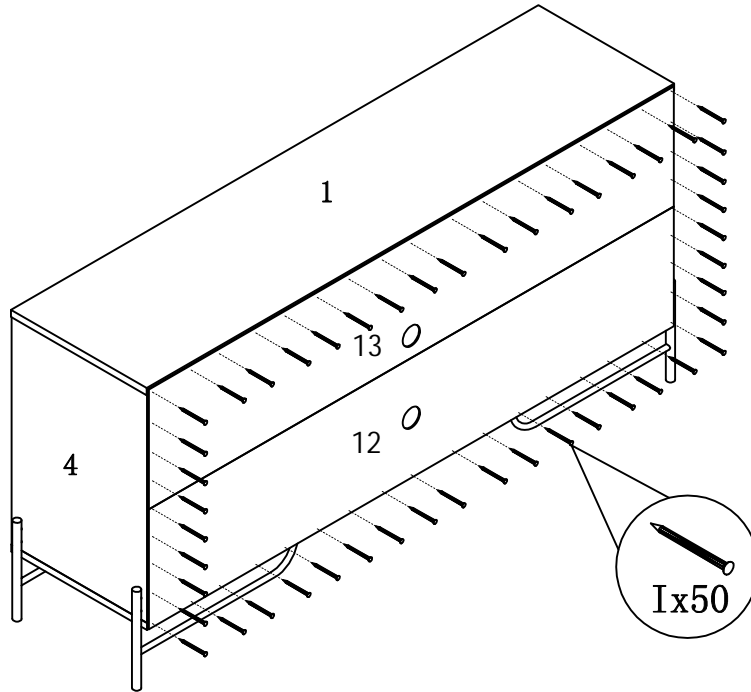
STEP5

STEP6



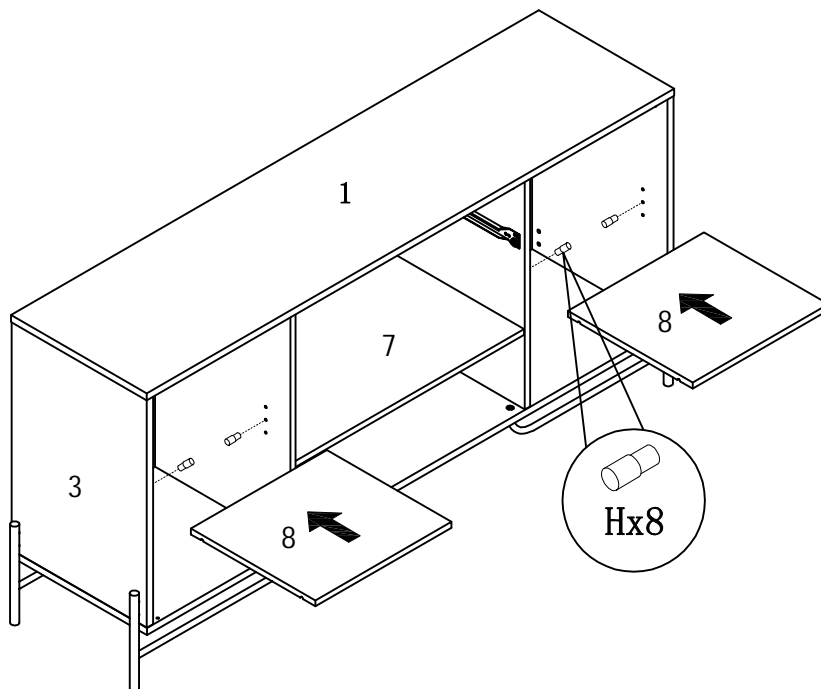
ASSEMBLY INSTRUCTION

ITEM#: 223141/223142/223143



STEP7

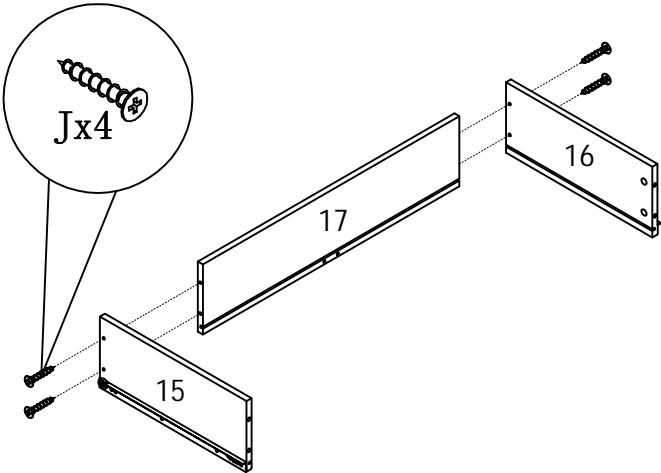
STEP8



PAGE: 7 OF 11

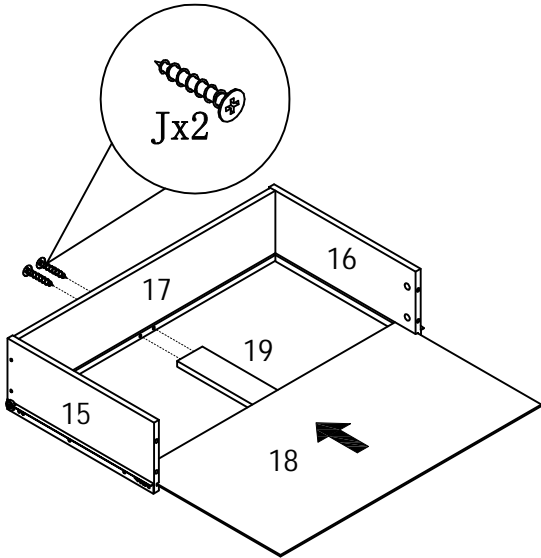
ASSEMBLY INSTRUCTION

ITEM#: 223141/223142/223143



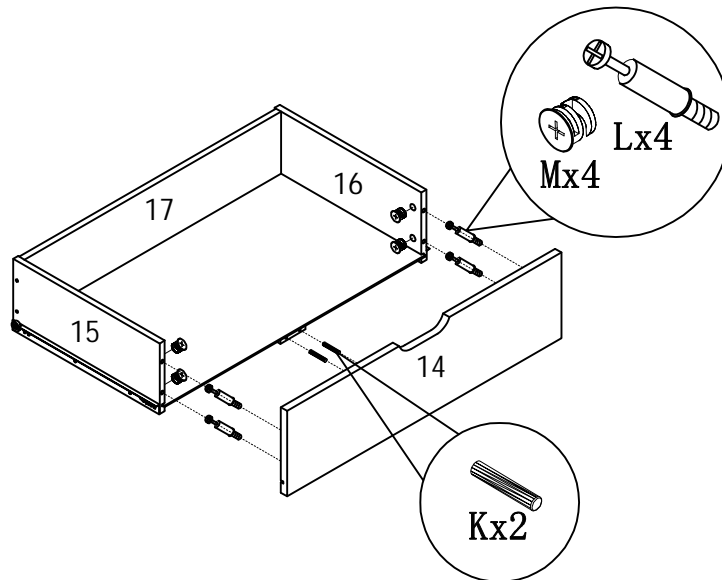
STEP9

STEP10



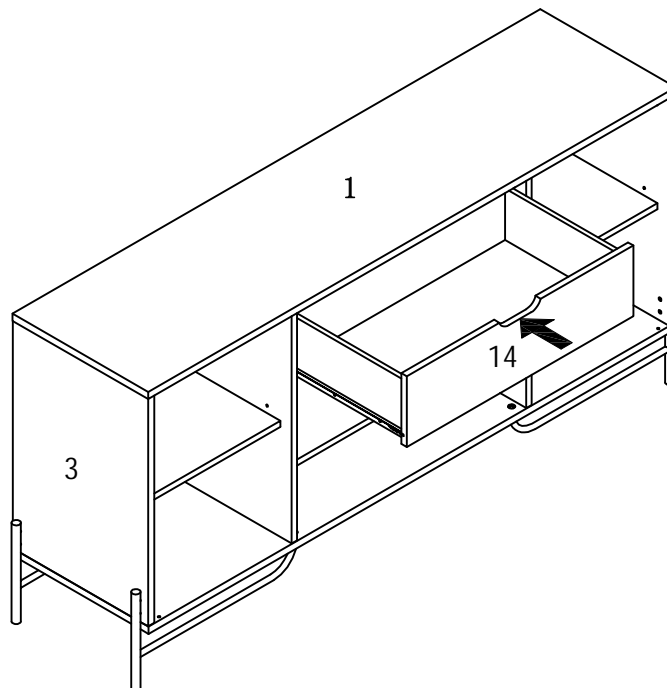
ASSEMBLY INSTRUCTION

ITEM#: 223141/223142/223143



STEP 11

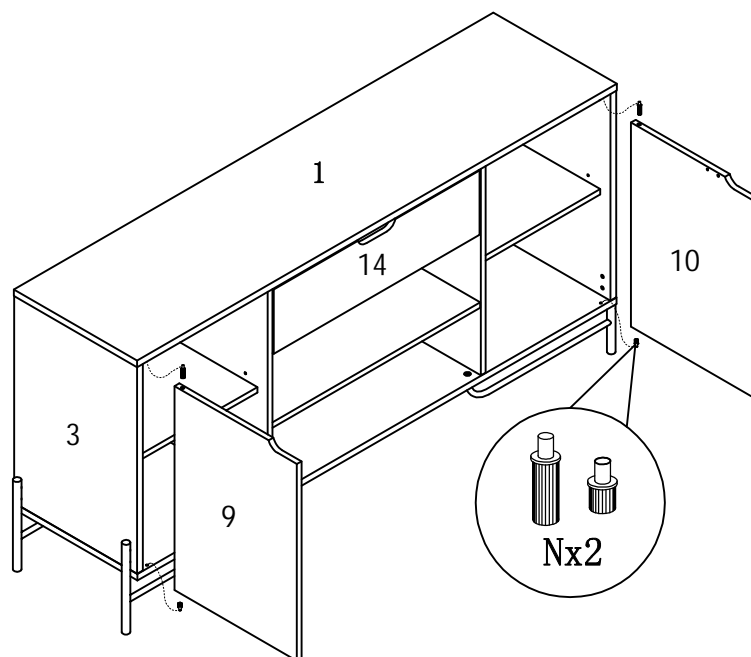
STEP 12



PAGE: 9 OF 11

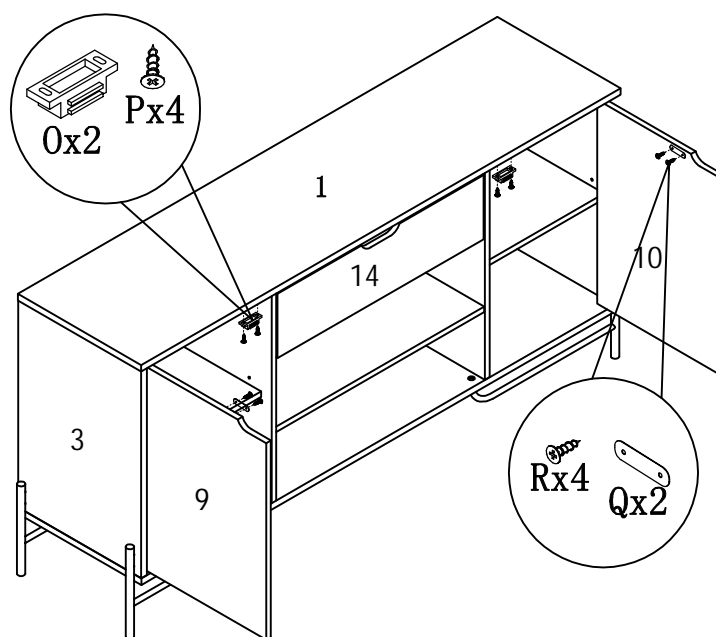
ASSEMBLY INSTRUCTION

ITEM#: 223141/223142/223143



STEP 13

STEP 14



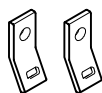
PAGE: 10 OF 11

ANTI-TIPPING STRAP INSTRUCTION

HARDWARE (INCLUDED) :



DRYWALL ANCHOR $\phi 8 \times 40$ X 1PC



METAL BRACKETS $12 \times 12 \times 1$ X 2PCS



DRYWALL SCREW $\phi 5 \times 40$ X 1PC

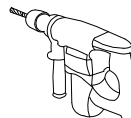


STRAP $197 \times 5 \times 1$ X 1PC



FLATHEAD SCREW $\phi 4 \times 25$ X 1PC

TOOLS NEEDED (NOT INCLUDED) :



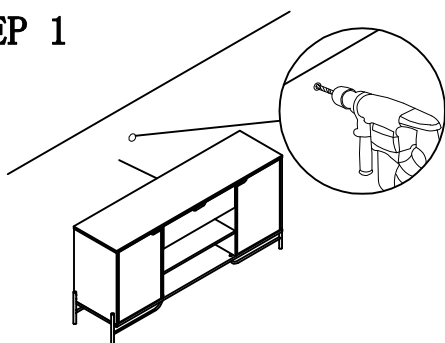
DRILL & DRILL BIT



LIGHT HAMMER

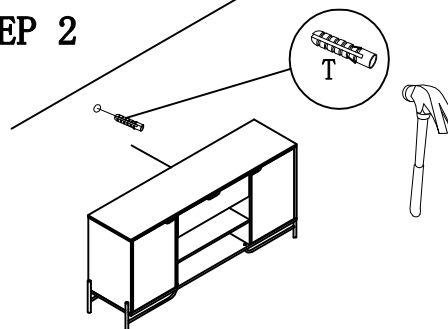
Note: Hardware included only compatible with standard drywalls.

STEP 1



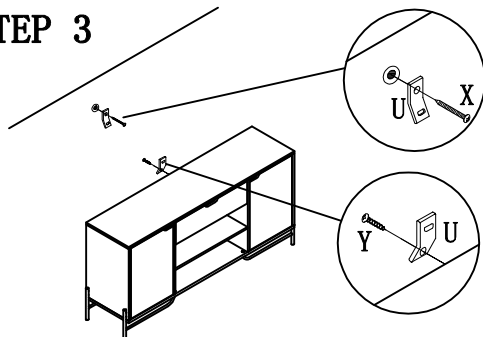
1. Find spot on wall 1" below top of item.
2. Using a drill bit slightly thinner than anchor, drill hole into drywall.

STEP 2



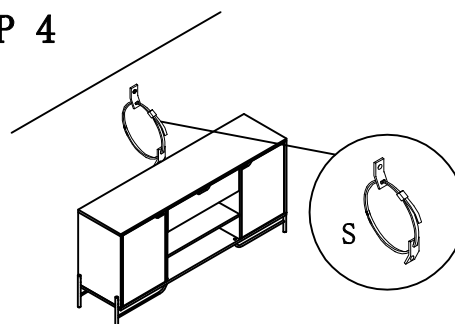
1. Use a light hammer to tap anchor into hole.
2. Anchor should fit snugly. If hole is too small, drill again to increase hole size. Do not force anchor into wall.

STEP 3



1. Insert drywall screw into metal bracket and into drywall anchor.
2. Insert flathead screw into second metal bracket and into back of item along top edge.

STEP 4



1. Insert strap thru bracket attached to wall, then thru bracket on item, and into head of strap.
 2. pull lightly til strap stops.
- Assembly is complete.