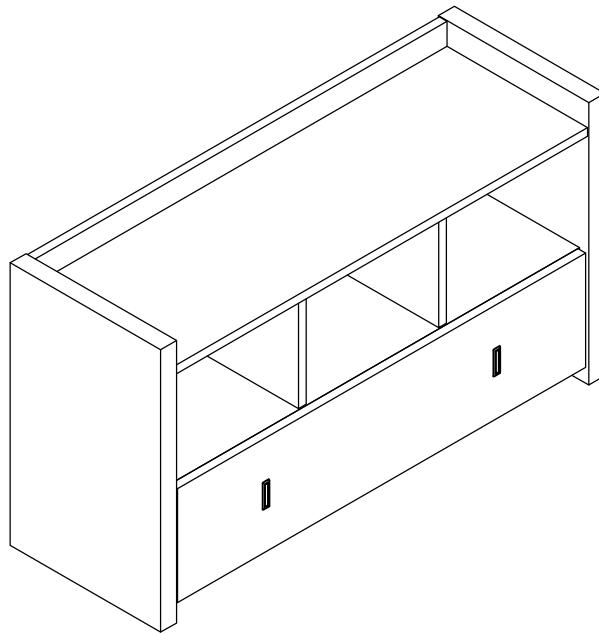


ASSEMBLY INSTRUCTION

ITEM#: 161734 161764



ASSEMBLY INSTRUCTION

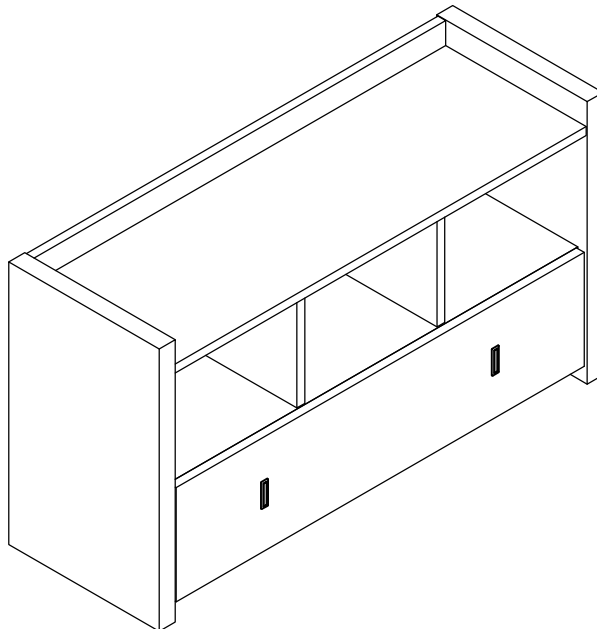
PLEASE READ BEFORE ASSEMBLING!

Tip #1: Make sure you've taken all the pieces and hardware out of its packaging before discarding the box. Assembly on top of flattened box/blanket is recommended.

Tip #2: Using page 2 and/or page 3 of instruction manual make sure all pieces and hardware are accounted for.

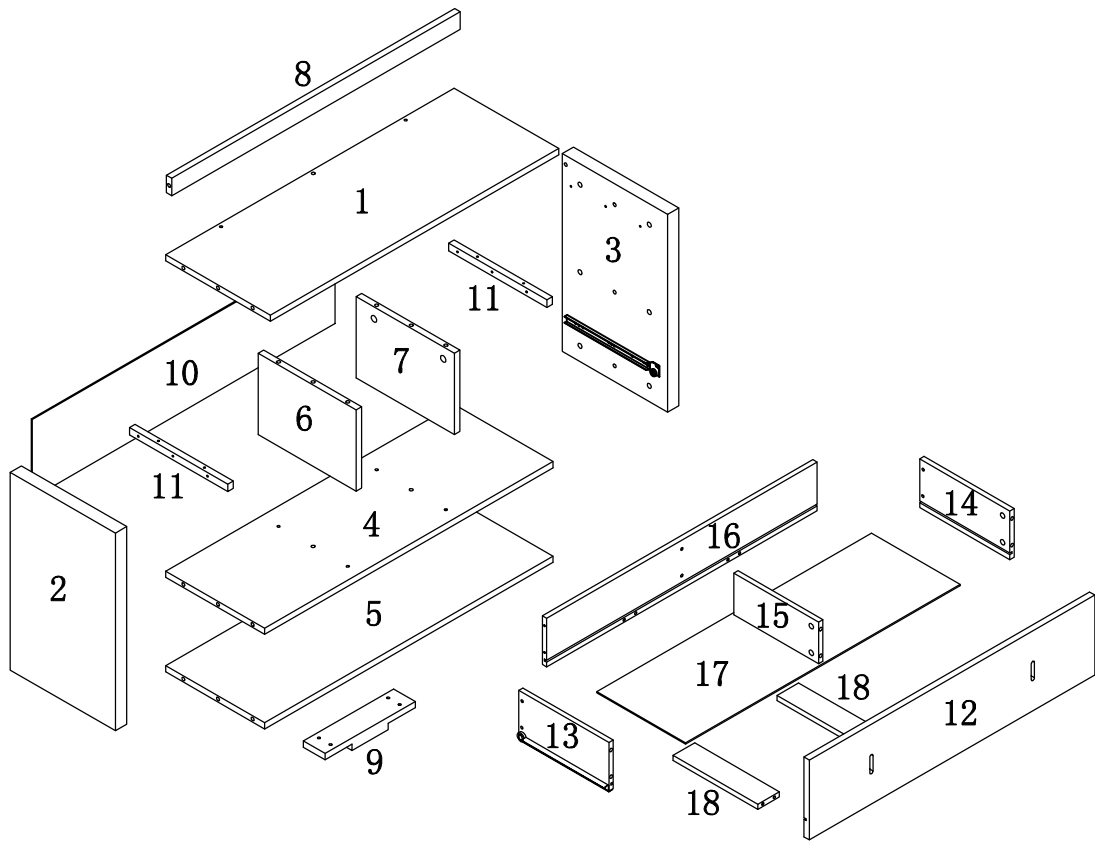
Tip #3: Note position of all holes on each panel during assembly.

ITEM#: 161734 161764



PARTS IDENTIFICATION



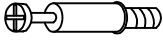



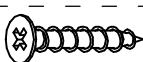
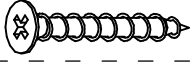

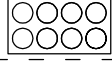

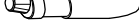
ITEM#: 161734 161764



(1)	1pc	(7)	1pc	(13)	1pc
(2)	1pc	(8)	1pc	(14)	1pc
(3)	1pc	(9)	1pc	(15)	1pc
(4)	1pc	(10)	1pc	(16)	1pc
(5)	1pc	(11)	2pcs	(17)	1pc
(6)	1pc	(12)	1pc	(18)	2pcs

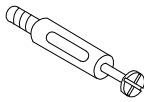
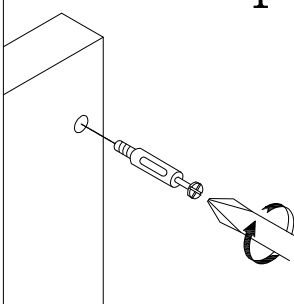
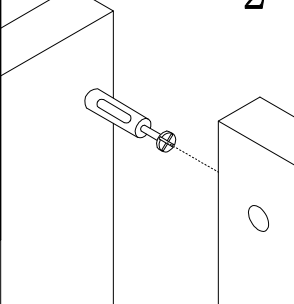
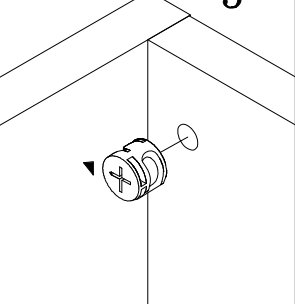
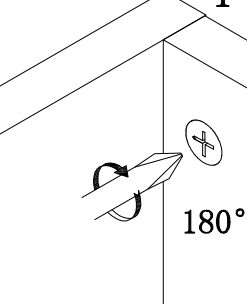

HARDWARE IDENTIFICATION

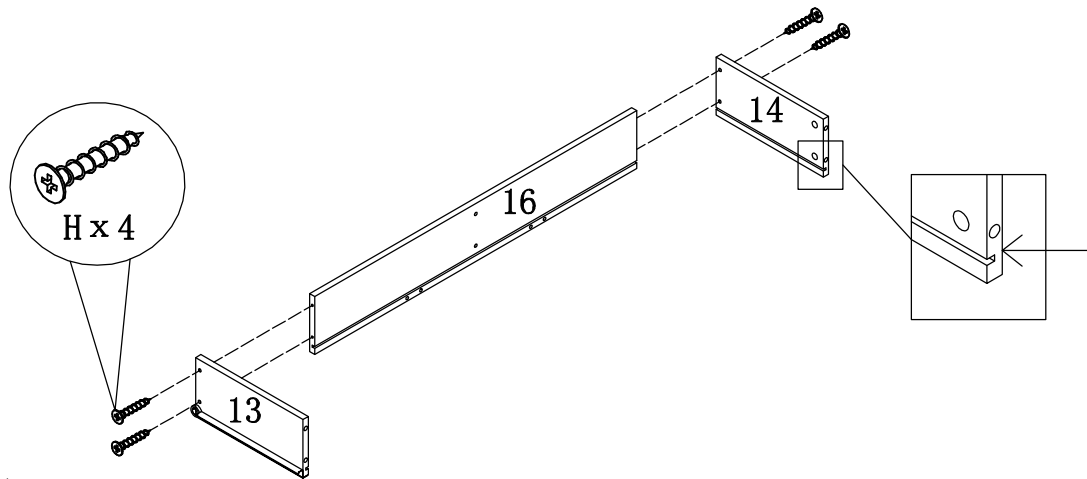
ITEM#: 161734 161764

A		L29	16pcs
B		ø15	16pcs
C		L20	6pcs
D		ø12	6pcs
E		ø8 × 25	13pcs
F		ø6 × 30	4pcs
G		ø4 x 25	4pcs
H		ø4 x 30	26pcs
I		Z1016	20pcs
J		ø20	8pcs
K		ø16	5pcs
L		Glue: For securing please apply to wood dowel first before inserting into panel	1pc

ASSEMBLY INSTRUCTION

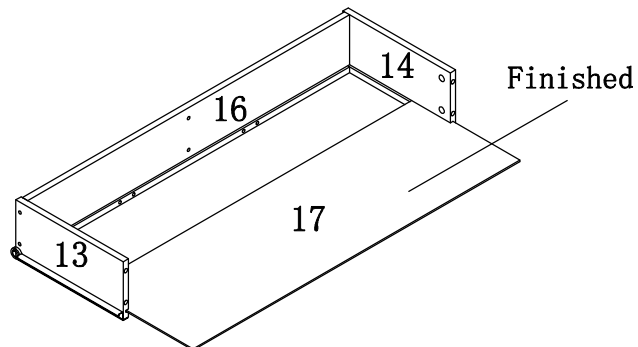
ITEM#: 161734 161764

HOW TO	1	2	3	4
 Cam Bolt				
 Cam Lock	1. Screw Cam Bolt into panel.	2. Insert Cam Bolt into bolt hole of joining panel.	3. Insert Cam Lock. arrow facing bolt.	4. Gently turn Cam Lock clockwise to lock position.



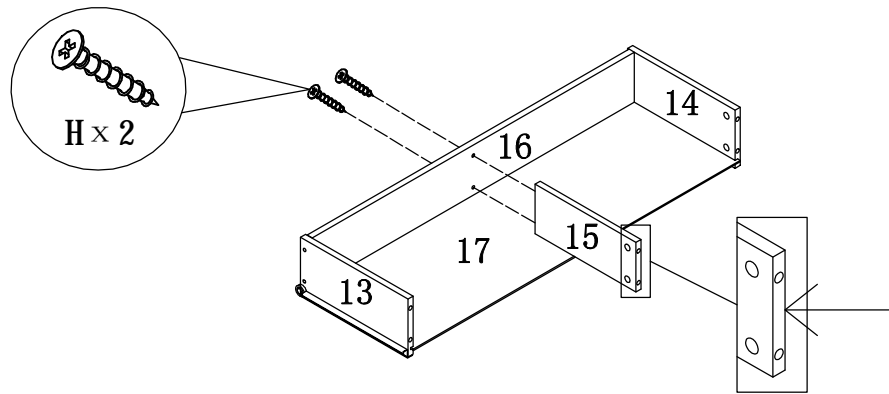
STEP 1

STEP 2



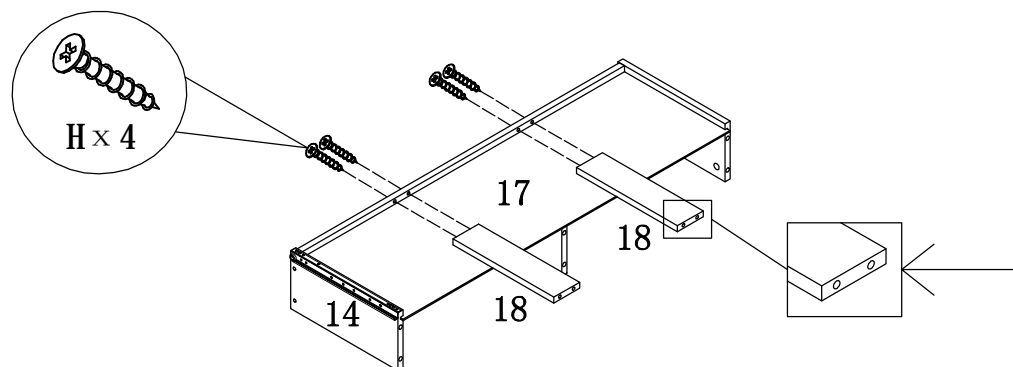
ASSEMBLY INSTRUCTION

ITEM#: 161734 161764

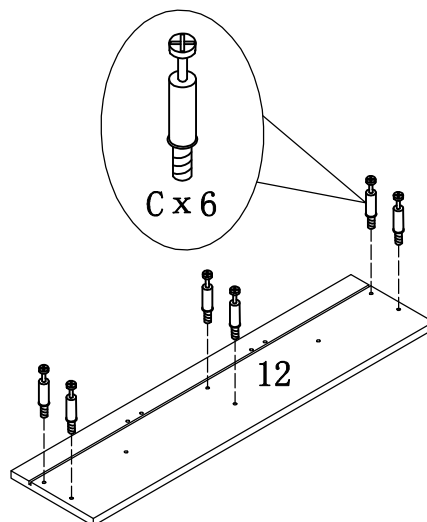


STEP3

STEP4

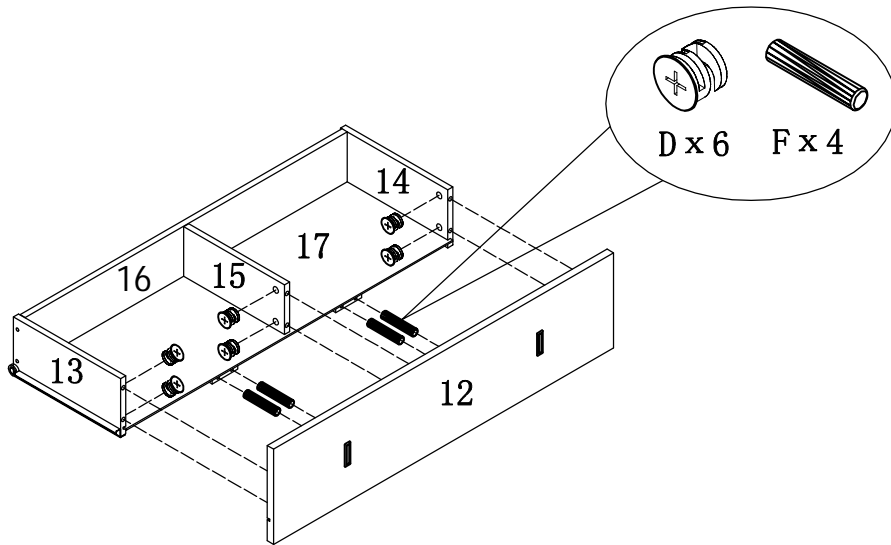


STEP5



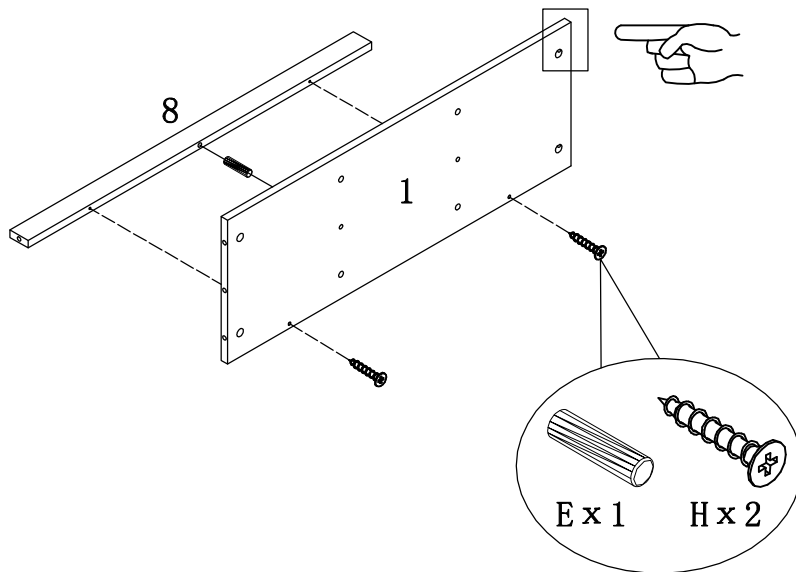
ASSEMBLY INSTRUCTION

ITEM#: 161734 161764



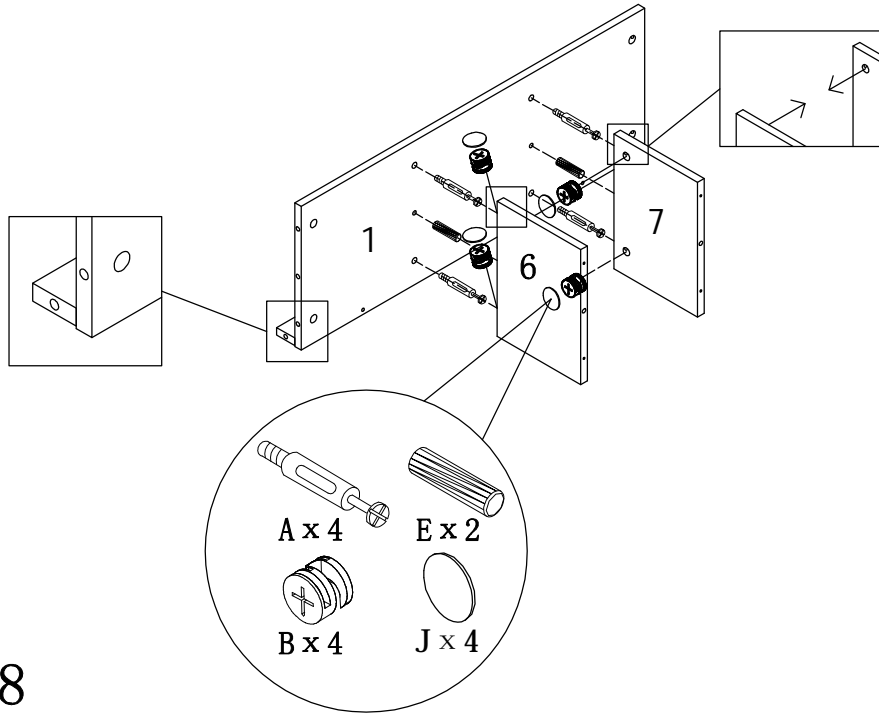
STEP6

STEP7



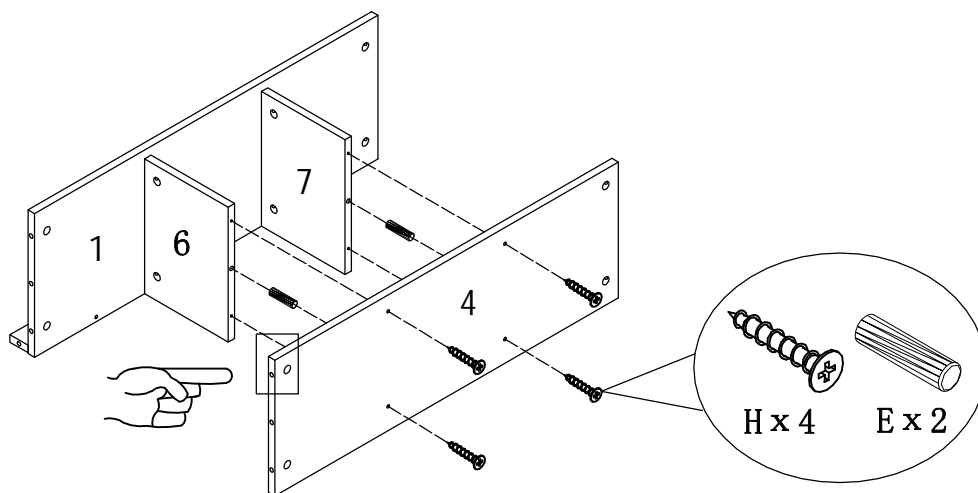
ASSEMBLY INSTRUCTION

ITEM#: 161734 161764



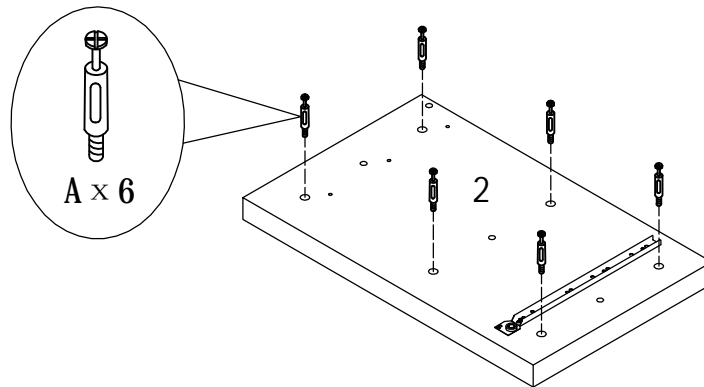
STEP8

STEP9



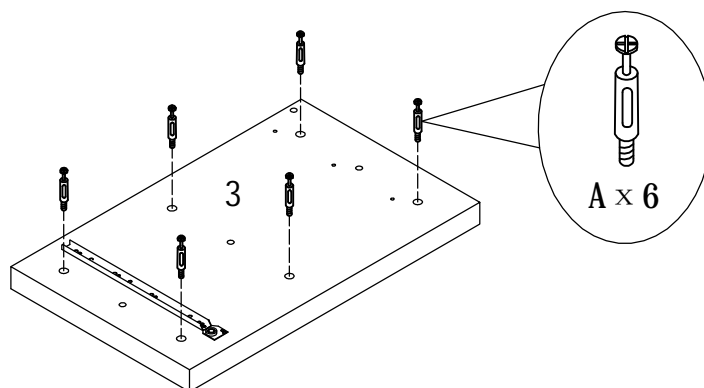
ASSEMBLY INSTRUCTION

ITEM#: 161734 161764



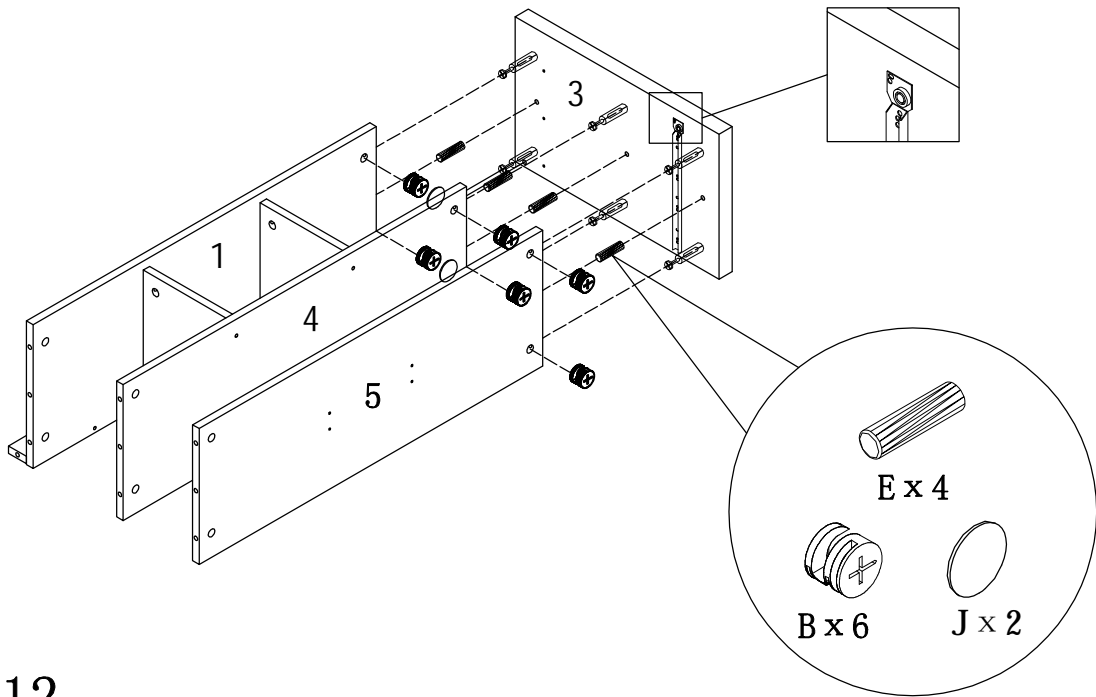
STEP10

STEP11



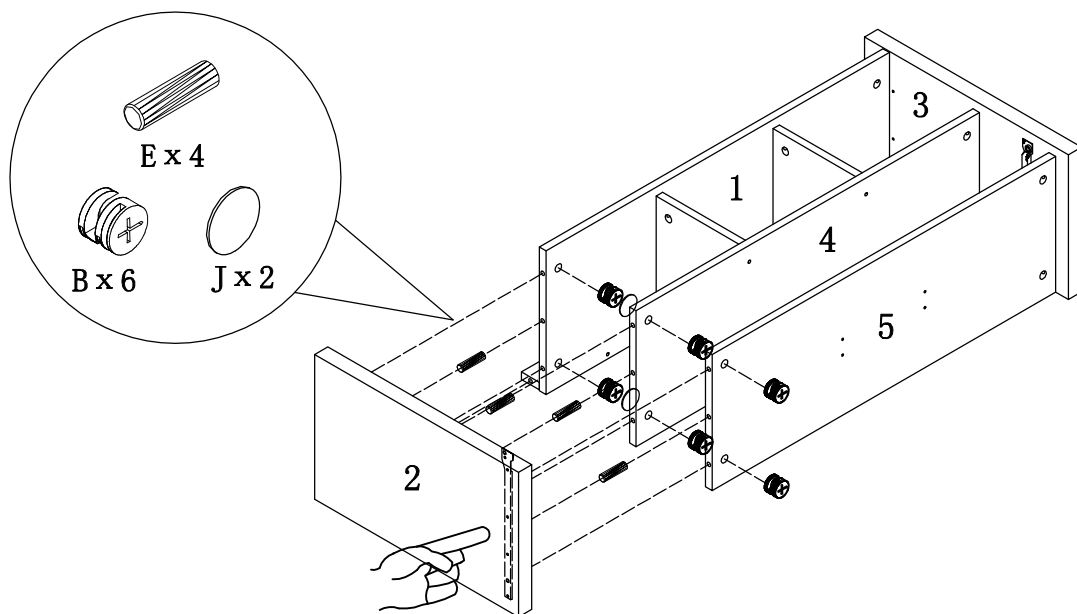
ASSEMBLY INSTRUCTION

ITEM#: 161734 161764



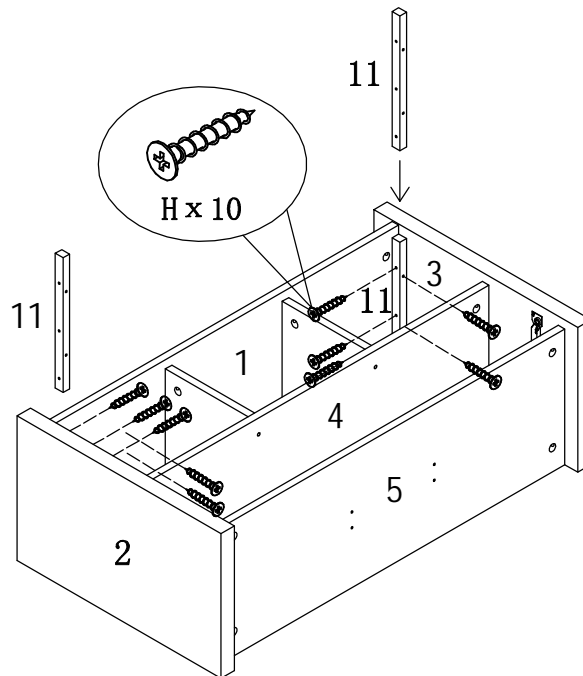
STEP 12

STEP 13



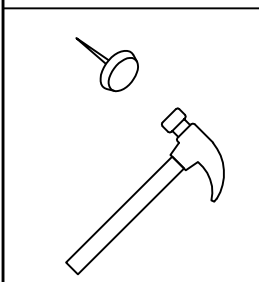
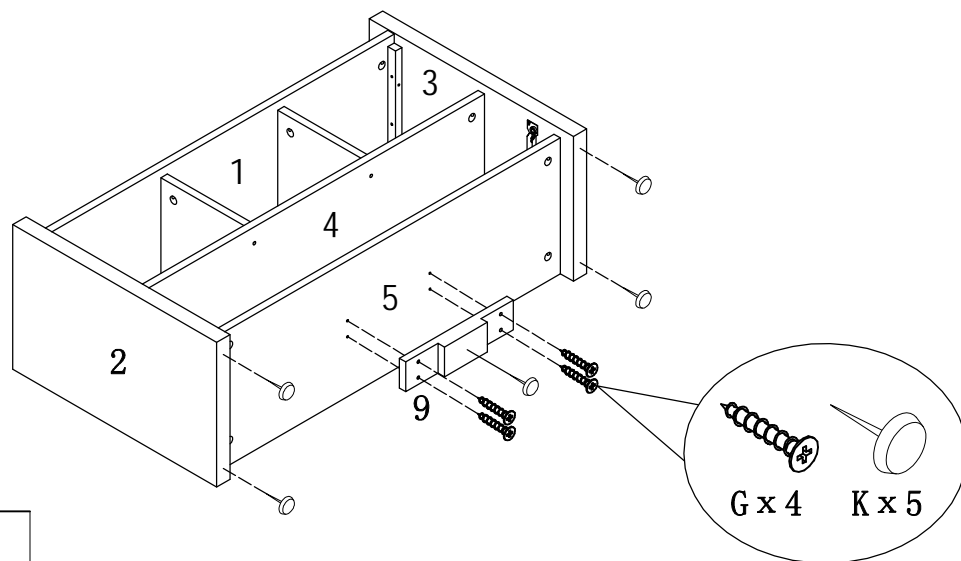
ASSEMBLY INSTRUCTION

ITEM#: 161734 161764



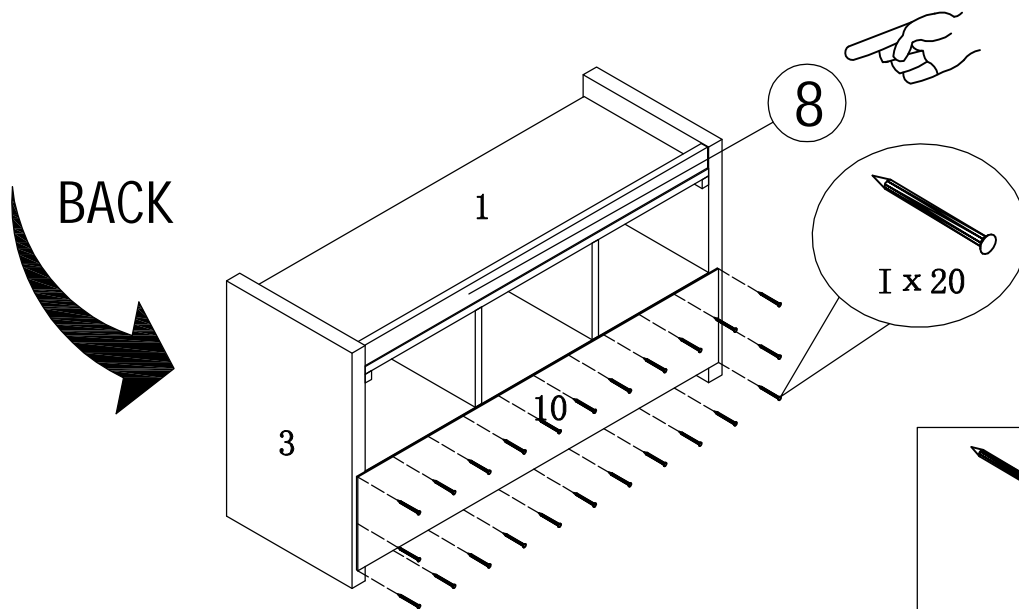
STEP 14

STEP 15



ASSEMBLY INSTRUCTION

ITEM#: 161734 161764



STEP 16

STEP 17

