

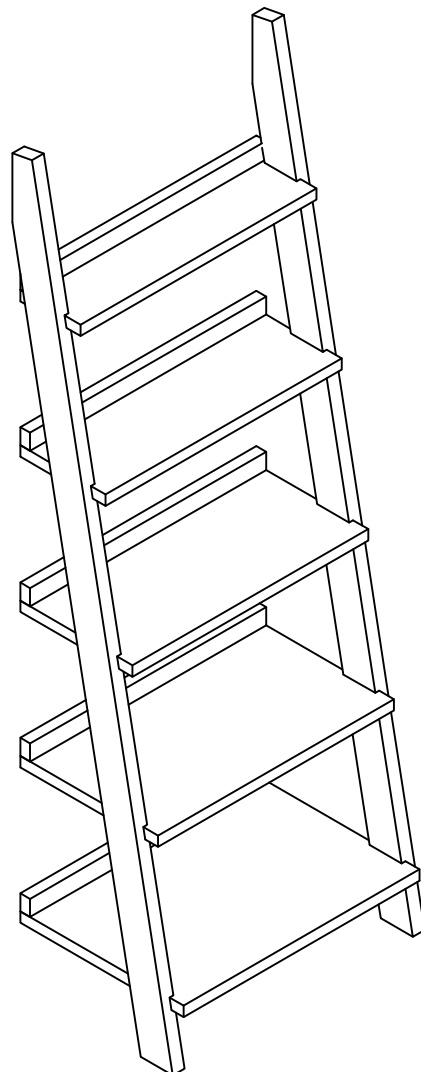
ASSEMBLY INSTRUCTION

PLEASE READ BEFORE ASSEMBLING!

Tip #1: Make sure you've taken all the pieces and hardware out of its packaging before discarding the box.

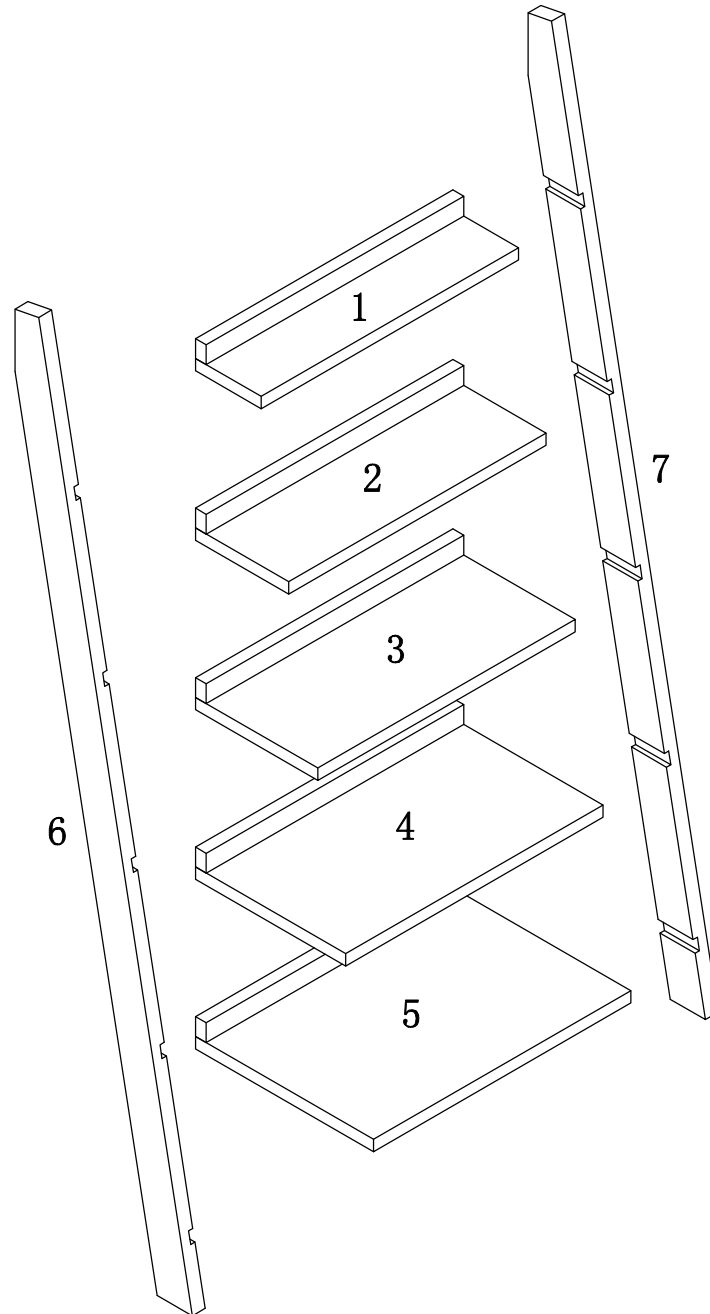
Tip #2: Using page 2 and/or page 3 of instruction manual make sure all pieces and hardware are accounted for.

ITEM#	27170	151177	14936	14937
-------	-------	--------	-------	-------



PARTS IDENTIFICATION



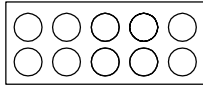



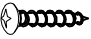
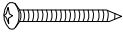

ITEM#: 27170、28170



(1)	1pc	(5)	1pc
(2)	1pc	(6)	1pc
(3)	1pc	(7)	1pc
(4)	1pc		

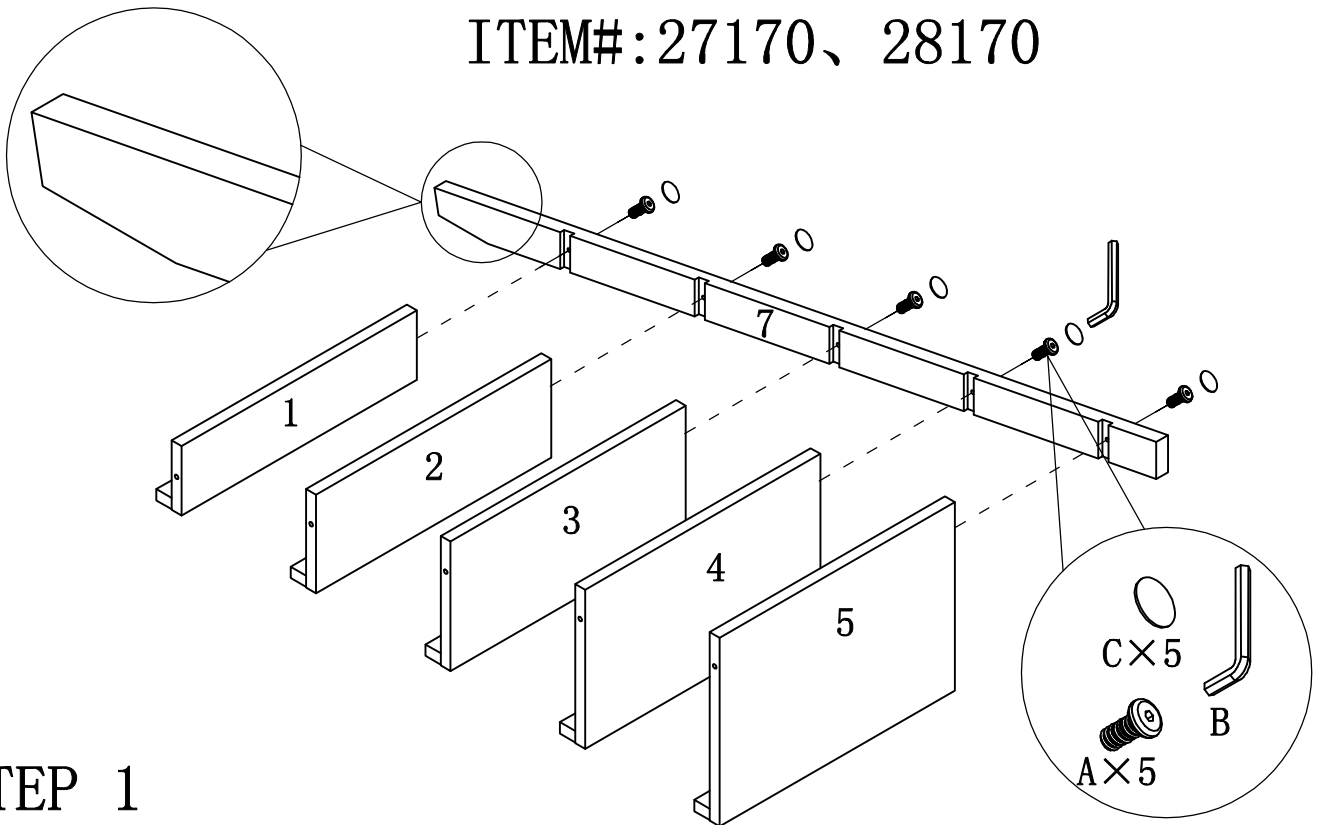
HARDWARE IDENTIFICATION

ITEM#: 27170、28170

A		$\phi 6 \times 30$	10pcs
B		M4	1pc
C		$\phi 20$	10pcs
D		$\phi 16$	2pcs
E		$197 \times 5 \times 1$	1PC
I		$12 \times 12 \times 1$	2PCS
F		$\Phi 4 \times 25$	1PC
G		$\Phi 5 \times 40$	1PC
H		$\Phi 8 \times 40$	1PC

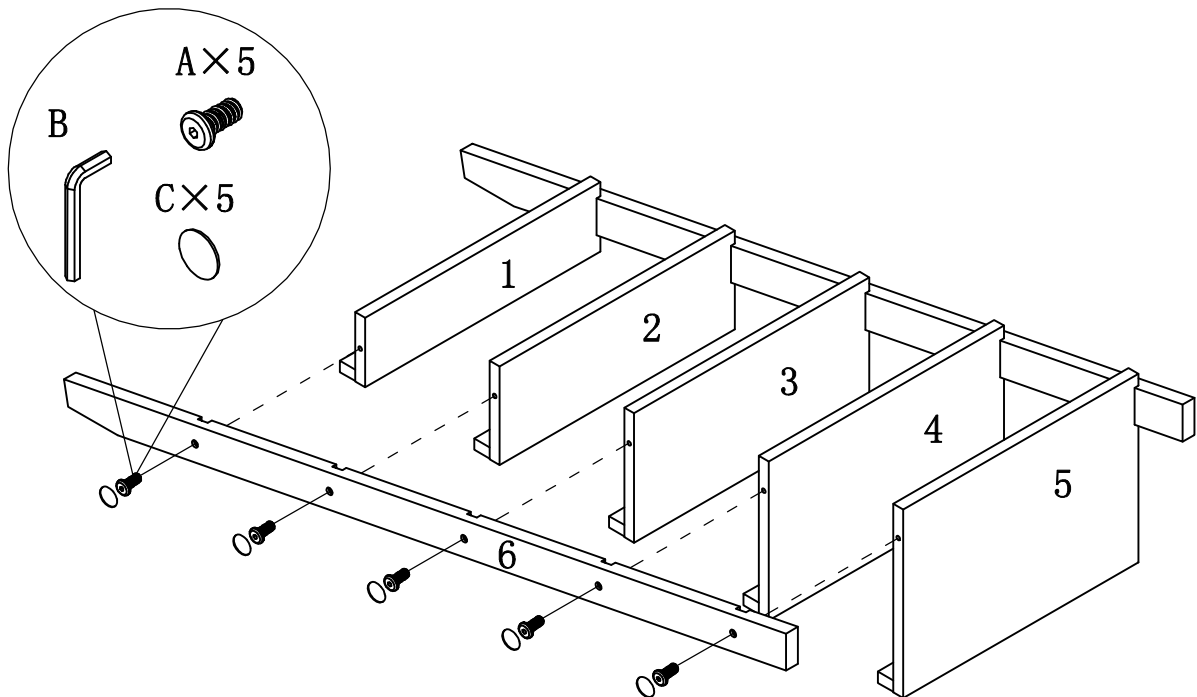
ASSEMBLY INSTRUCTION

ITEM#: 27170、28170



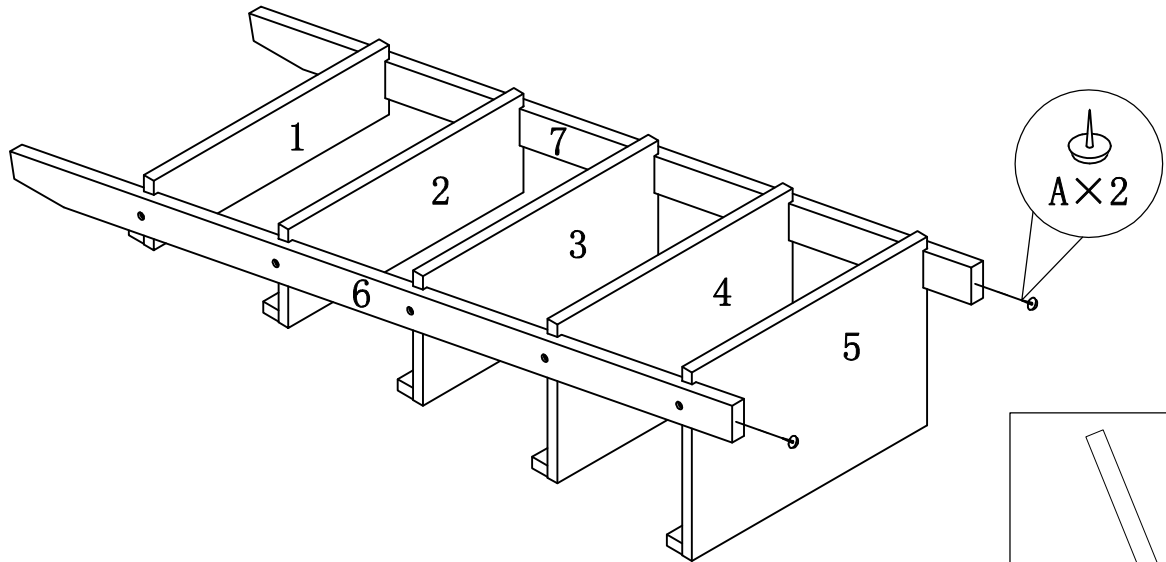
STEP 1

STEP 2



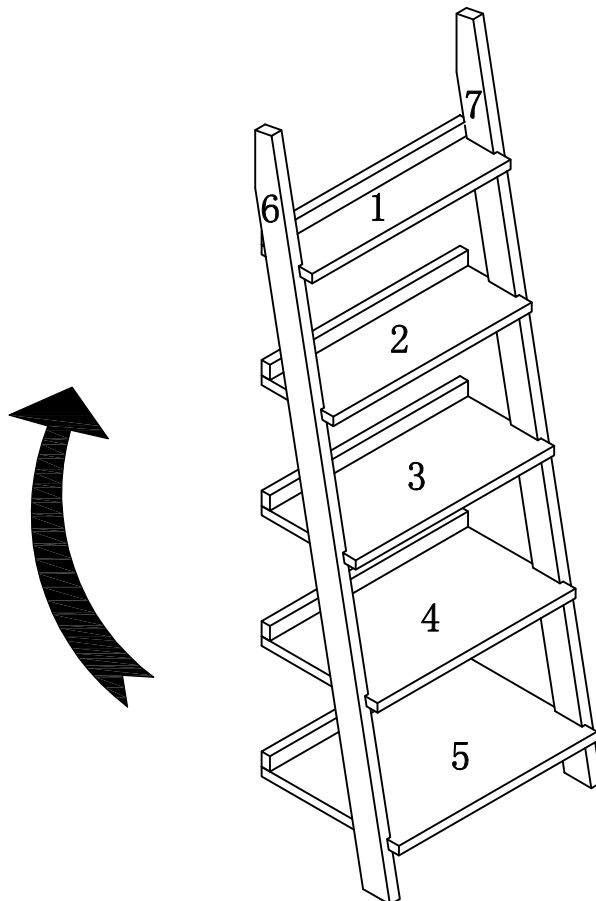
ASSEMBLY INSTRUCTION

ITEM#: 27170、28170



STEP 3

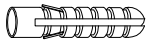
STEP 4



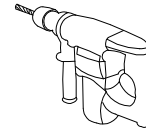
ANTI-TIPPING STRAP INSTRUCTION

HARDWARE (INCLUDED) :

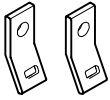
TOOLS NEEDED (NOT INCLUDED) :



DRYWALL ANCHOR $\phi 8 \times 40$ X 1PC



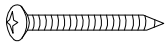
DRILL & DRILL BIT



METAL BRACKETS $12 \times 12 \times 1$ X 2PCS



LIGHT HAMMER



DRYWALL SCREW $\phi 5 \times 40$ X 1PC



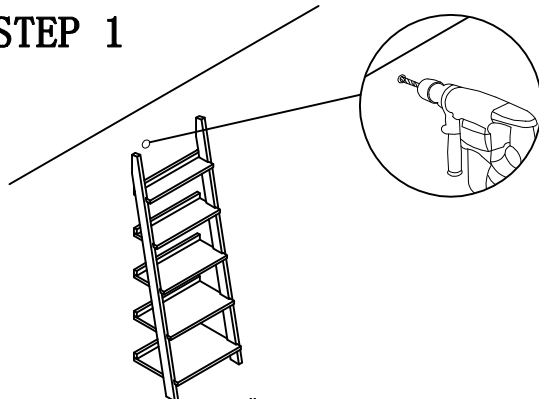
STRAP $197 \times 5 \times 1$ X 1PC



FLATHEAD SCREW $\phi 4 \times 25$ X 1PC

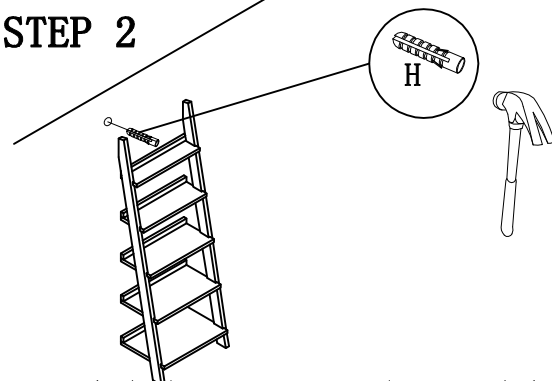
Note: Hardware included only compatible with standard drywalls.

STEP 1



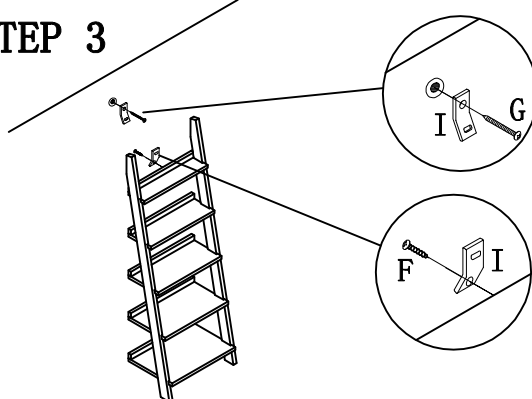
1. Find spot on wall 1" below top of item.
2. Using a drill bit slightly thinner than anchor, drill hole into drywall.

STEP 2



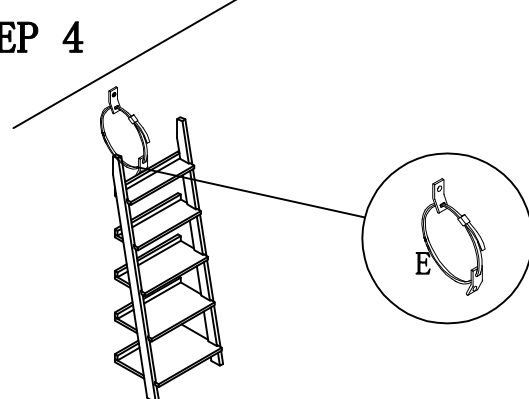
1. Use a light hammer to tap anchor into hole.
2. Anchor should fit snugly. If hole is too small, drill again to increase hole size. Do not force anchor into wall.

STEP 3



1. Insert drywall screw into metal bracket and into drywall anchor.
2. Insert flathead screw into second metal bracket and into back of item along top edge.

STEP 4



1. Insert strap thru bracket attached to wall, then thru bracket on item, and into head of strap.
 2. pull lightly til strap stops.
- Assembly is complete.