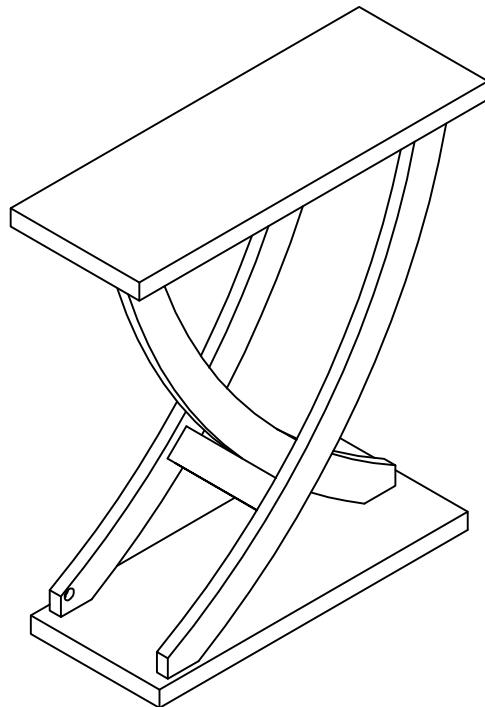


ASSEMBLY INSTRUCTION

ITEM#: 161864 212968 212969



ASSEMBLY INSTRUCTION

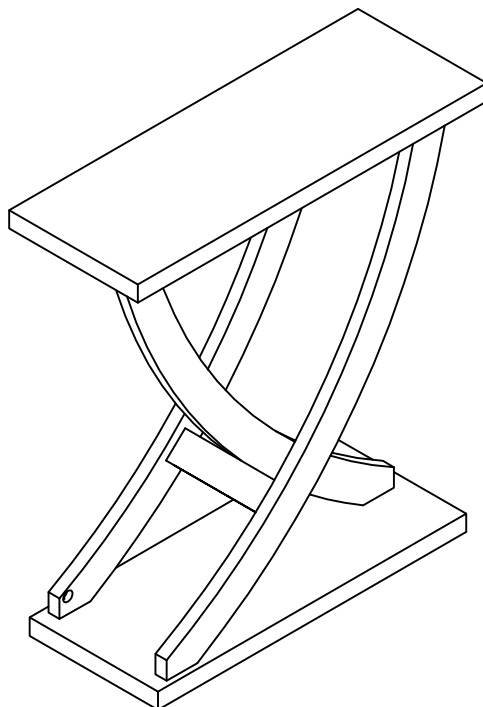
PLEASE READ BEFORE ASSEMBLING!

Tip #1: Make sure you've taken all the pieces and hardware out of its packaging before discarding the box.

Tip #2: Using page 2 and/or page 3 of instruction manual make sure all pieces and hardware are accounted for.

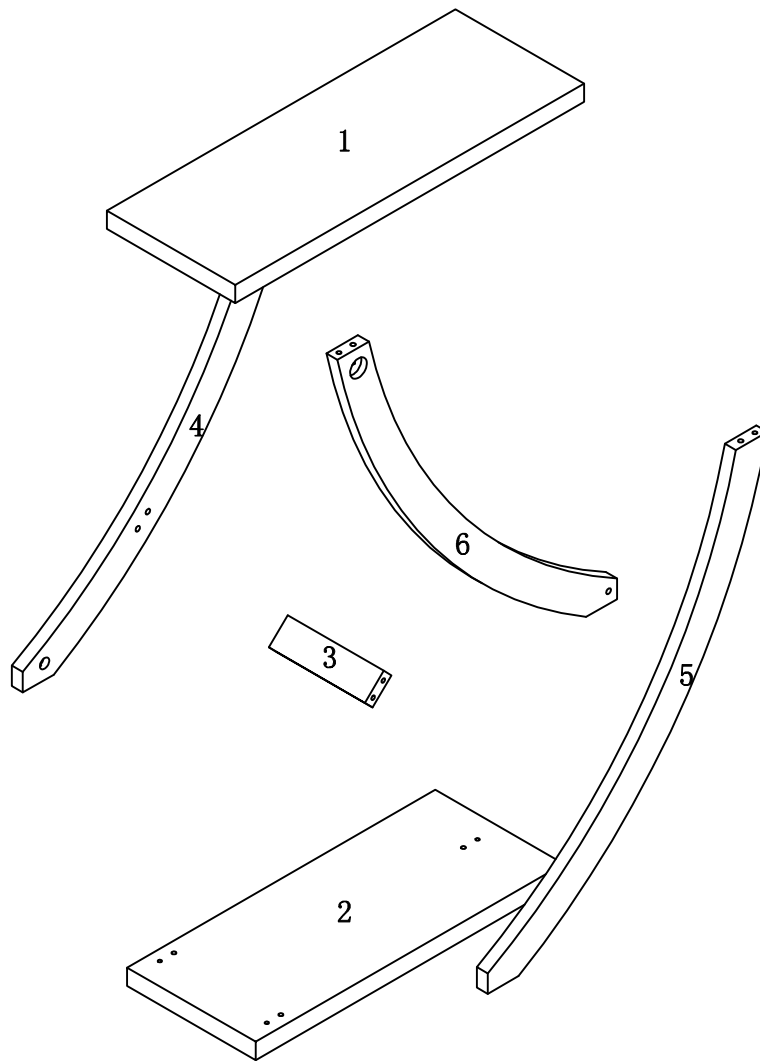
Tip #3: Read manual before assembling, it helps!

ITEM#: 161864 212968 212969



PARTS IDENTIFICATION


















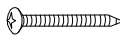
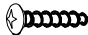

ITEM#: 161864 212968 212969



- | | |
|-----|-----|
| (1) | 1pc |
| (2) | 1pc |
| (3) | 1pc |
| (4) | 1pc |
| (5) | 1pc |
| (6) | 1pc |

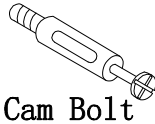

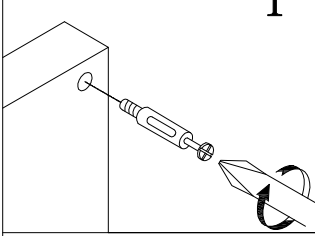
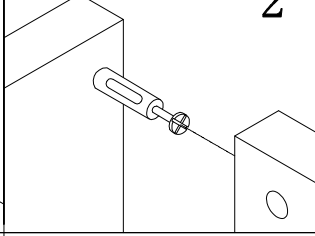
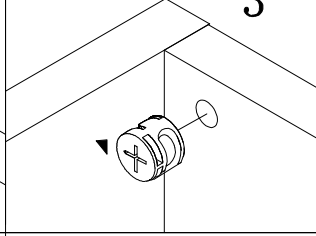
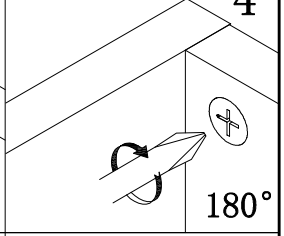
HARDWARE IDENTIFICATION

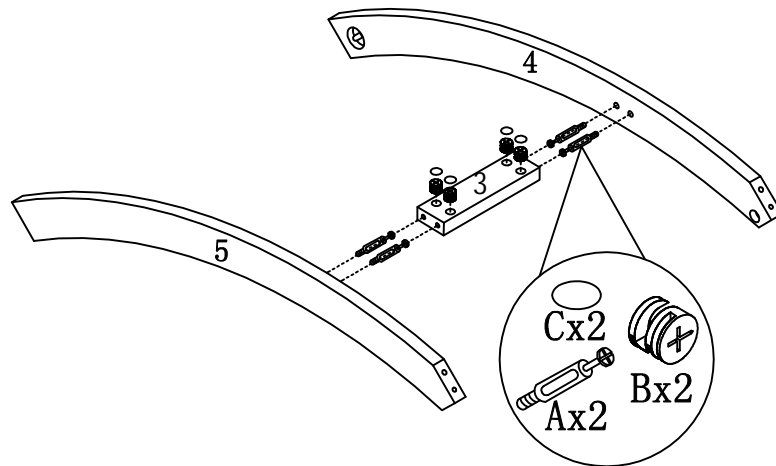
ITEM#: 161864 212968 212969

| | | | |
|---|---|-----------|------|
| A |  | L29 | 5pcs |
| B |  | Φ 15 | 5pcs |
| C |  | Φ 22 | 5pcs |
| D |  | Φ 8 x 25 | 6pcs |
| E |  | M8 x 70 | 3pcs |
| F |  | M8 | 3pcs |
| G |  | M8 | 3pcs |
| H |  | Φ 16 | 6pcs |
| I |  | Φ 45 | 3pcs |
| J |  | M13 | 1pc |
| K |  | Φ 13 | 3pcs |
| L |  | Φ 10 x 15 | 3pcs |
| M |  | M6 x 65 | 3pcs |
| N |  | M4 | 1pc |
| O |  | Φ 16 | 4pcs |
| P |  | Φ8x40 | 1pc |
| Q |  | Φ12x12x1 | 2pcs |
| R |  | Φ5x40 | 1pc |
| S |  | Φ4x25 | 1pc |
| T |  | 197×5×1 | 1pc |

ASSEMBLY INSTRUCTION

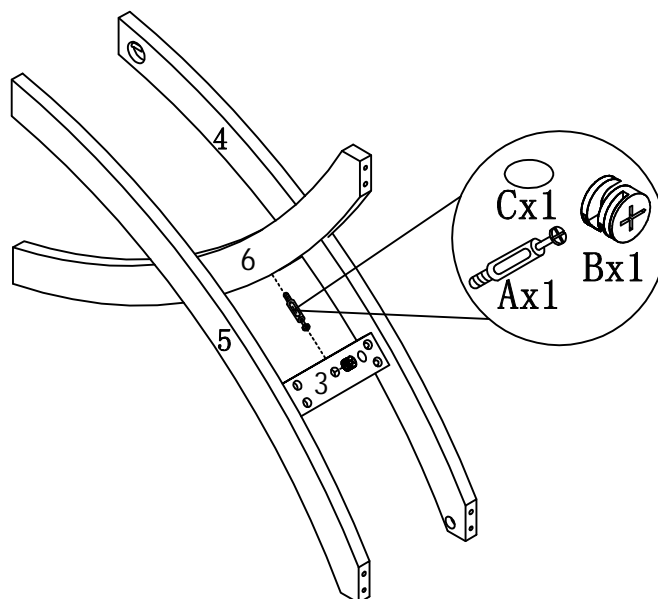
ITEM#: 161864 212968 212969

| | | | | |
|---|--|--|---|--|
| <p>HOW TO</p>  <p>Cam Bolt</p>  <p>Cam Lock</p> | <p>1</p>  | <p>2</p>  | <p>3</p>  | <p>4</p>  |
| | <p>1. Screw Cam Bolt into panel.</p> | <p>2. Insert Cam Bolt into bolt hole of joining panel.</p> | <p>3. Insert Cam Lock. arrow facing bolt.</p> | <p>4. Gently turn Cam Lock clockwise to lock position.</p> |



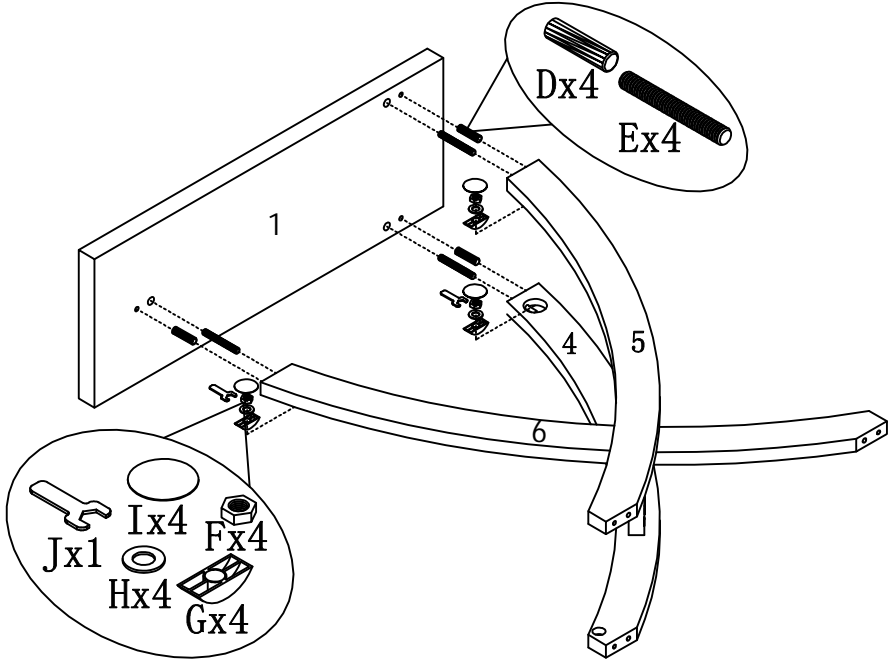
STEP 1

STEP 2



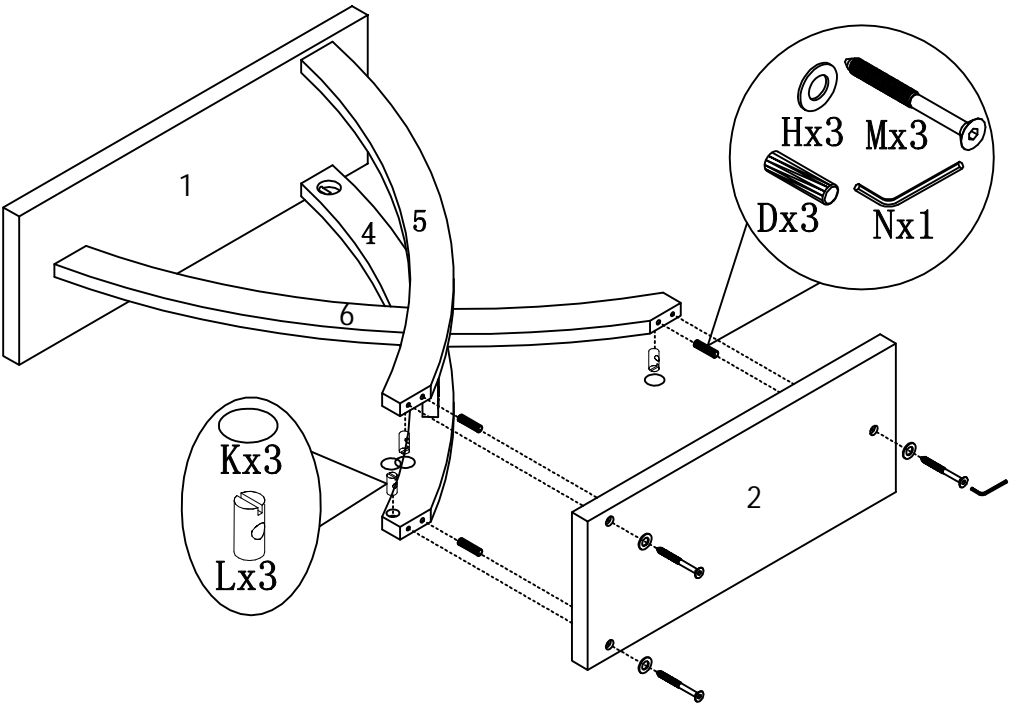
ASSEMBLY INSTRUCTION

ITEM#: 161864 212968
212969



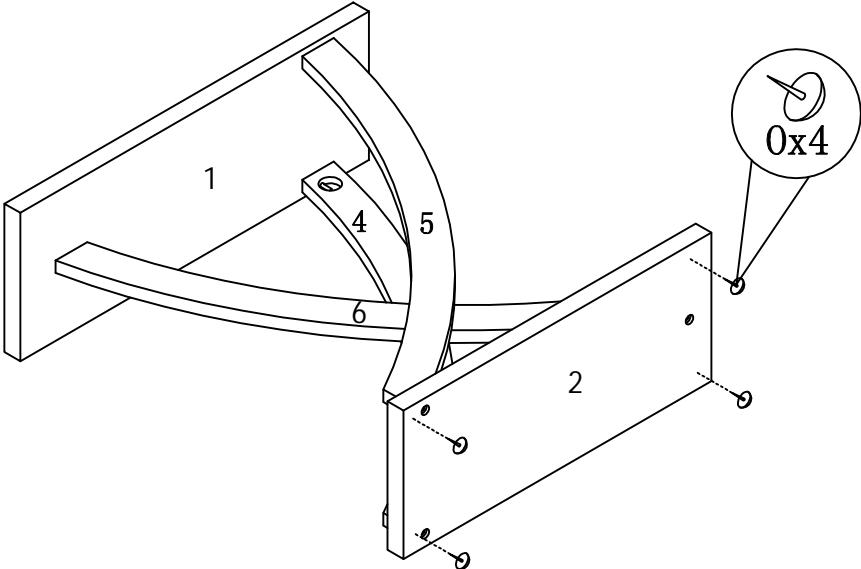
STEP3

STEP4



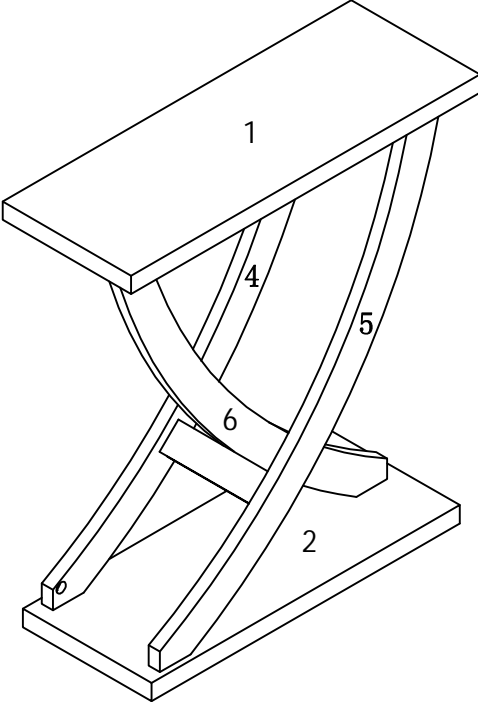
ASSEMBLY INSTRUCTION

ITEM#: 161864 212968
212969



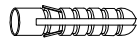
STEP5

STEP6

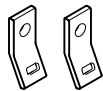


ANTI-TIPPING STRAP INSTRUCTION

HARDWARE (INCLUDED) :



DRYWALL ANCHOR $\phi 8 \times 40$ X 1PC



METAL BRACKETS $12 \times 12 \times 1$ X 2PCS



DRYWALL SCREW $\phi 5 \times 40$ X 1PC

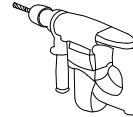


STRAP $197 \times 5 \times 1$ X 1PC



FLATHEAD SCREW $\phi 4 \times 25$ X 1PC

TOOLS NEEDED (NOT INCLUDED) :



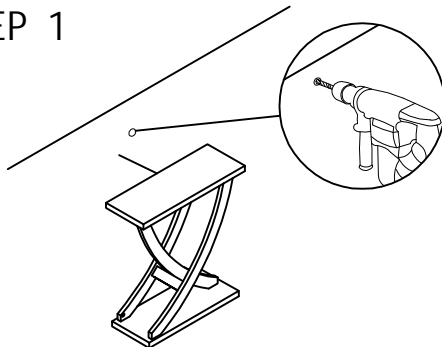
DRILL & DRILL BIT



LIGHT HAMMER

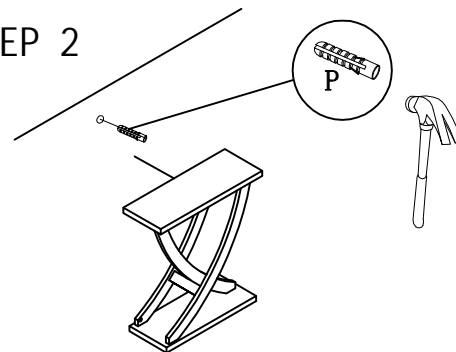
Note: Hardware included only compatible with standard drywalls.

STEP 1



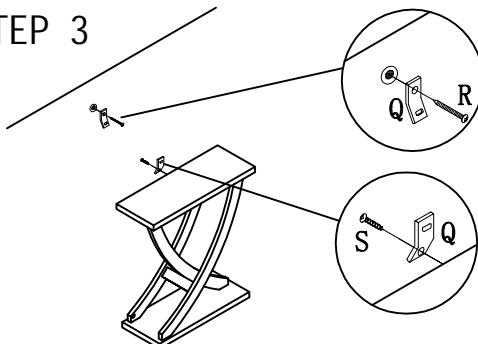
1. Find spot on wall 1" below top of item.
2. Using a drill bit slightly thinner than anchor, drill hole into drywall.

STEP 2



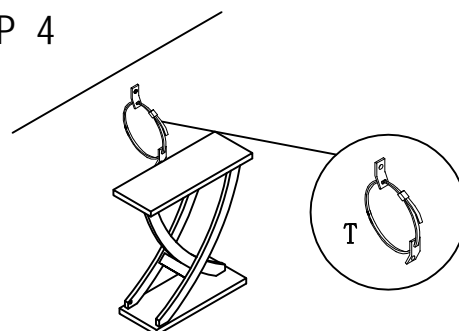
1. Use a light hammer to tap anchor into hole.
2. Anchor should fit snugly. If hole is too small, drill again to increase hole size. Do not force anchor into wall.

STEP 3



1. Insert drywall screw into metal bracket and into drywall anchor.
2. Insert flathead screw into second metal bracket and into back of item along top edge.

STEP 4



1. Insert strap thru bracket attached to wall, then thru bracket on item, and into head of strap.
 2. pull lightly til strap stops.
- Assembly is complete.