

ASSEMBLY INSTRUCTION

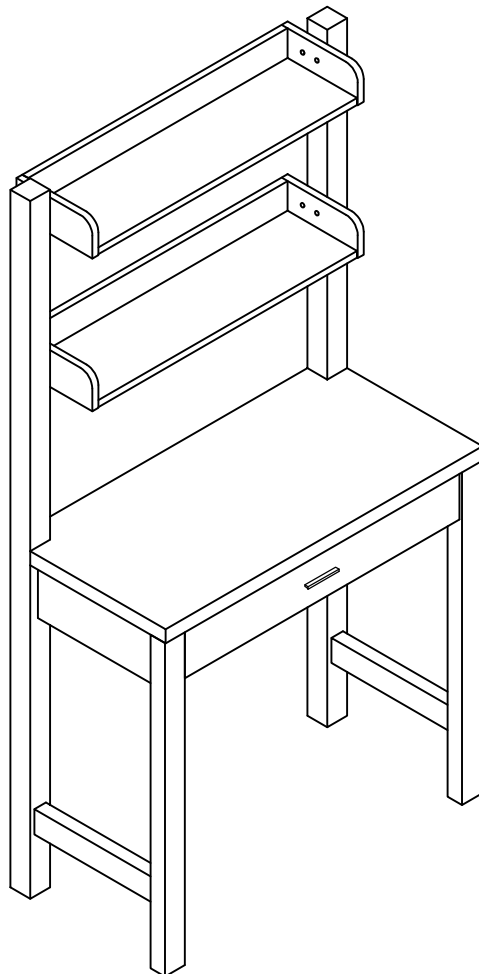
PLEASE READ BEFORE ASSEMBLING!

Tip #1: Make sure you've taken all the pieces and hardware out of its packaging before discarding the box.

Tip #2: Using page 2 and/or page 3 of instruction manual make sure all pieces and hardware are accounted for.

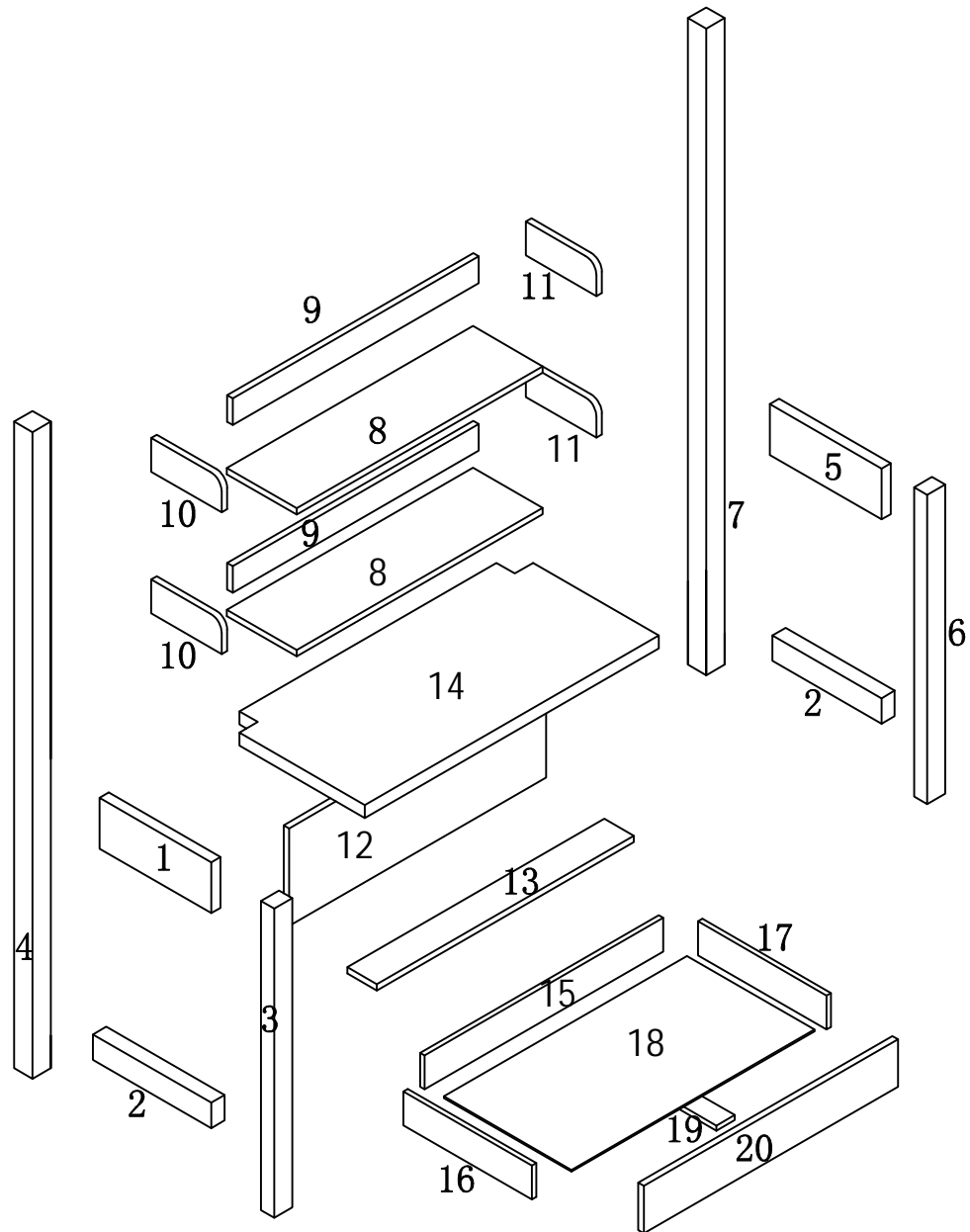
Tip #3: Read manual before assembling, it helps!

ITEM#: 13748 212965



PARTS IDENTIFICATION






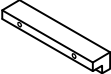





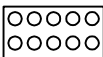
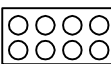

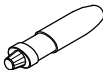
ITEM#: 13748 212965



(1)	1pc	(9)	2pcs	(17)	1pc
(2)	2pcs	(10)	2pcs	(18)	1pc
(3)	1pc	(11)	2pcs	(19)	1pc
(4)	1pc	(12)	1pc	(20)	1pc
(5)	1pc	(13)	1pc		
(6)	1pc	(14)	1pc		
(7)	1pc	(15)	1pc		
(8)	2pcs	(16)	1pc		

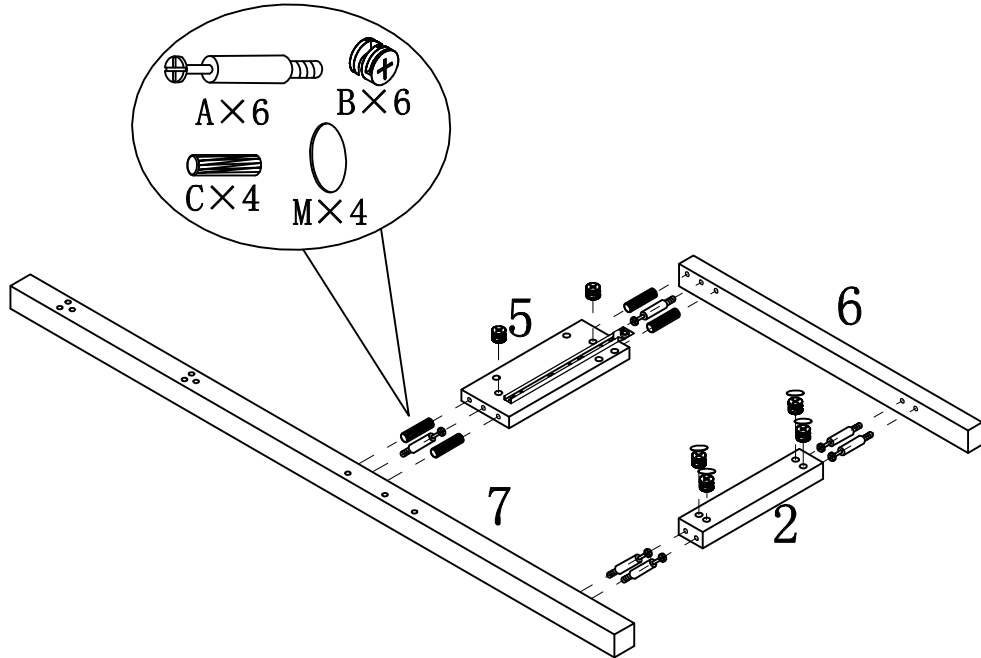
HARDWARE IDENTIFICATION

ITEM#: 13748 212965

A		L29	24pcs
B		ø15	24pcs
C		ø8×25	31pcs
D		ø4×30	20pcs
E		ø4×22 (BK)	2pcs
F		#96	1pc
G		L20	4pcs
H		ø12	4pcs
I		ø6×30	2pcs
J		ø4×25	2pcs
K		ø6×20	8pcs
L		ø13	12pcs
M		ø18	16pcs
N		φ 16	4pcs
O		Glue: For securing please apply to wood dowel first before inserting into panel	1pc

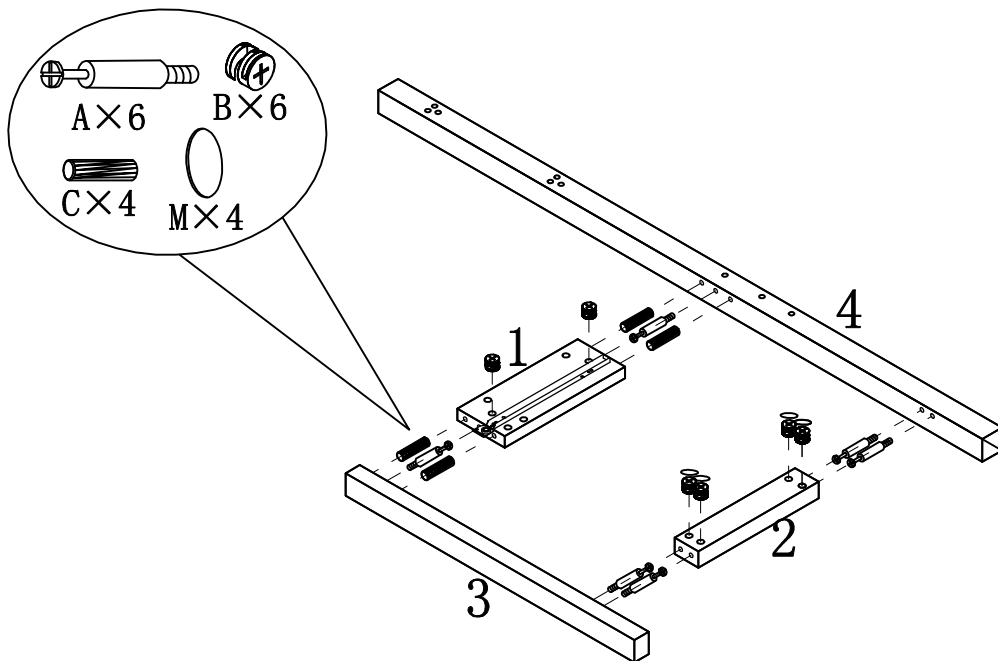
ASSEMBLY INSTRUCTION

ITEM#: 13748 212965



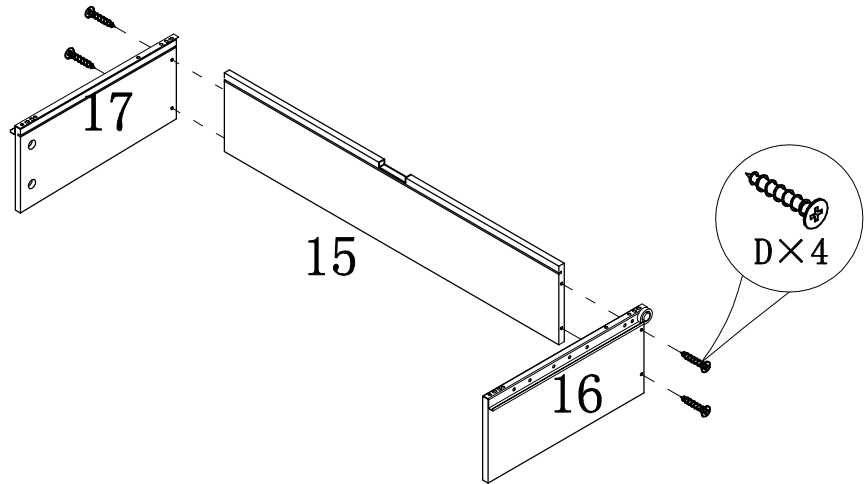
STEP 1

STEP 2



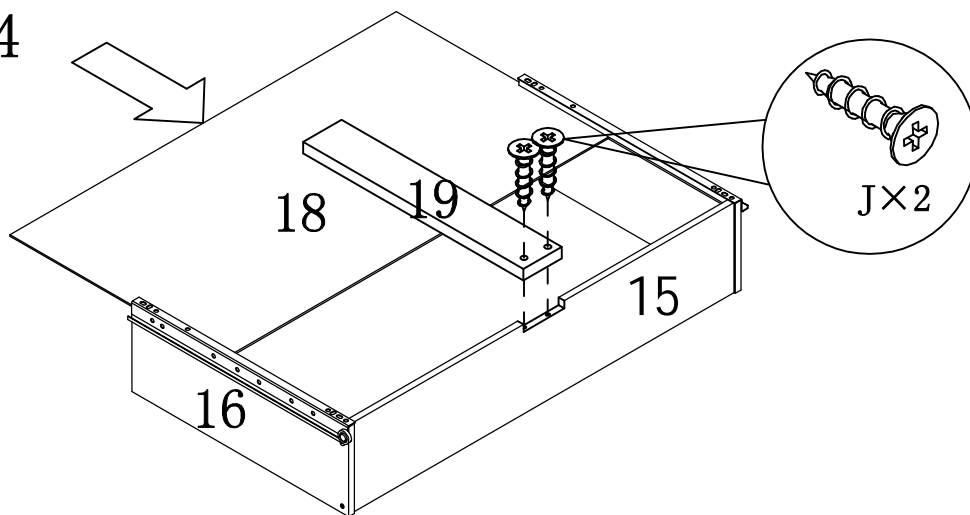
ASSEMBLY INSTRUCTION

ITEM#: 13748 212965

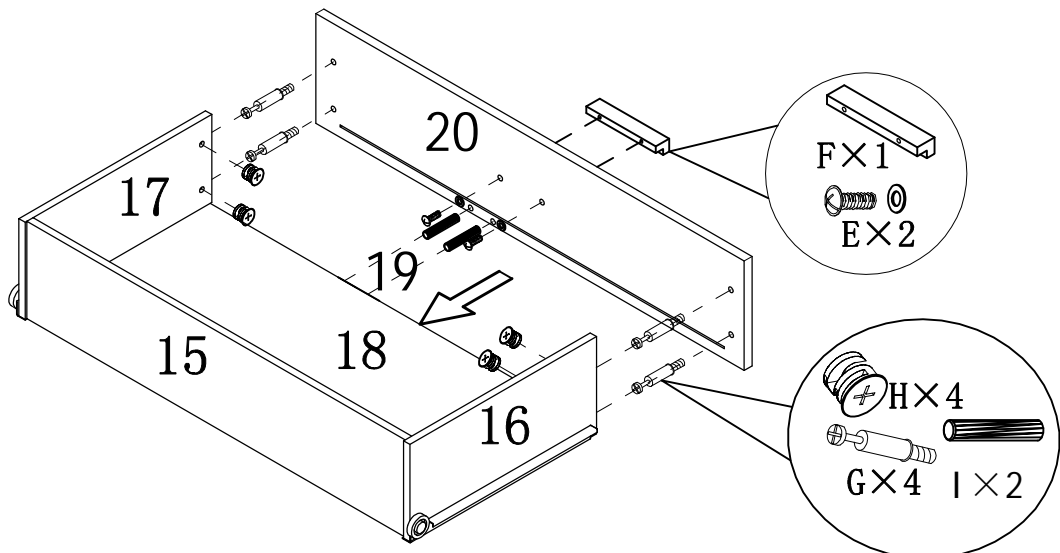


STEP 3

STEP 4



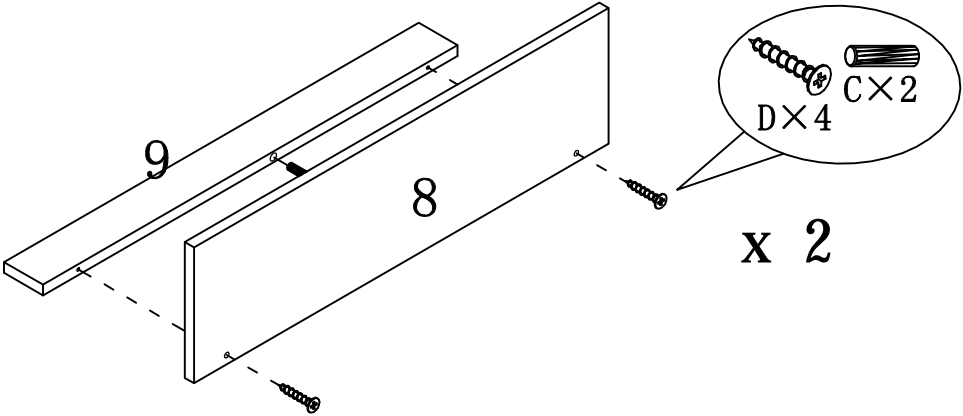
STEP 5



PAGE: 5 OF 8

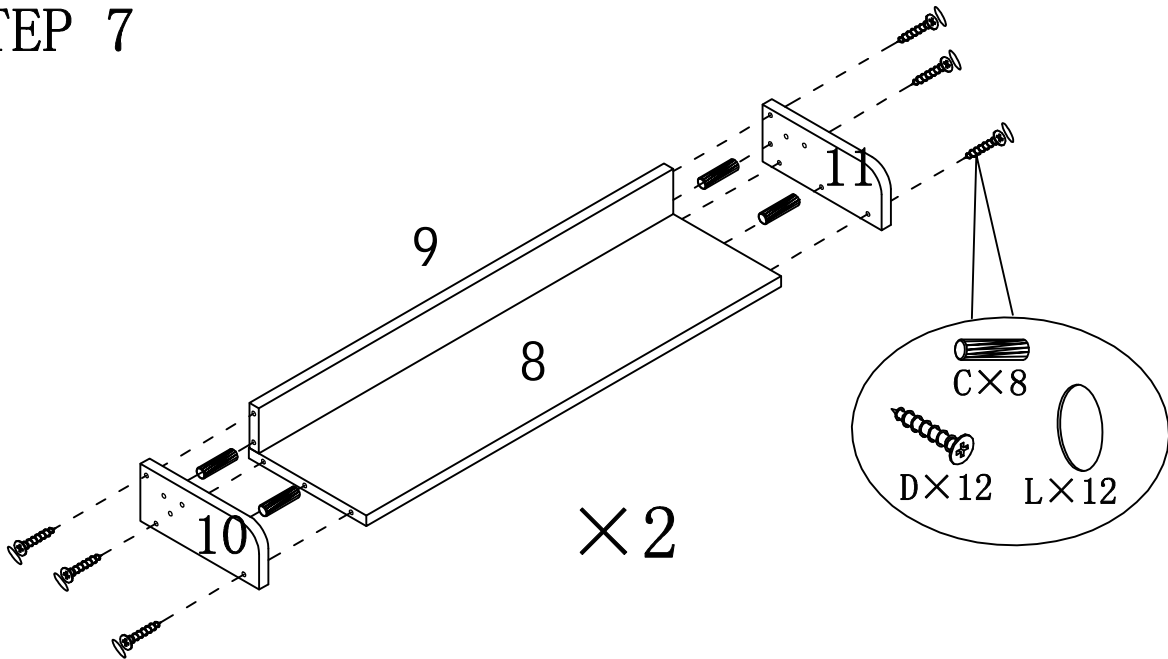
ASSEMBLY INSTRUCTION

ITEM#: 13748 212965



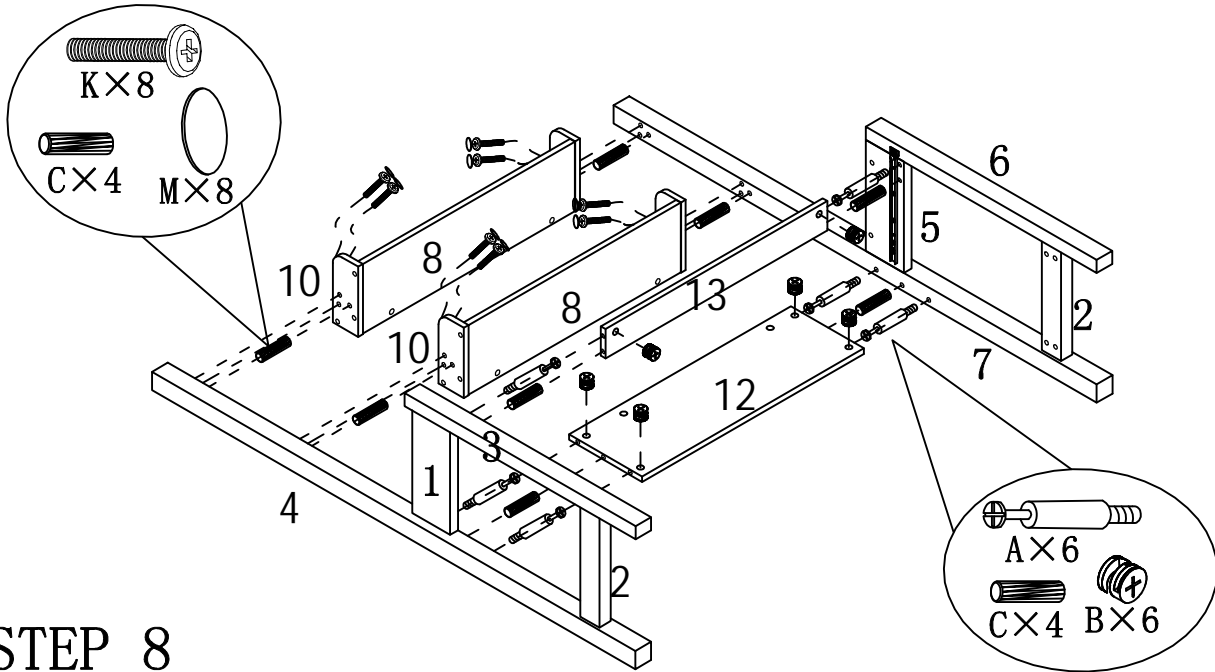
STEP 6

STEP 7



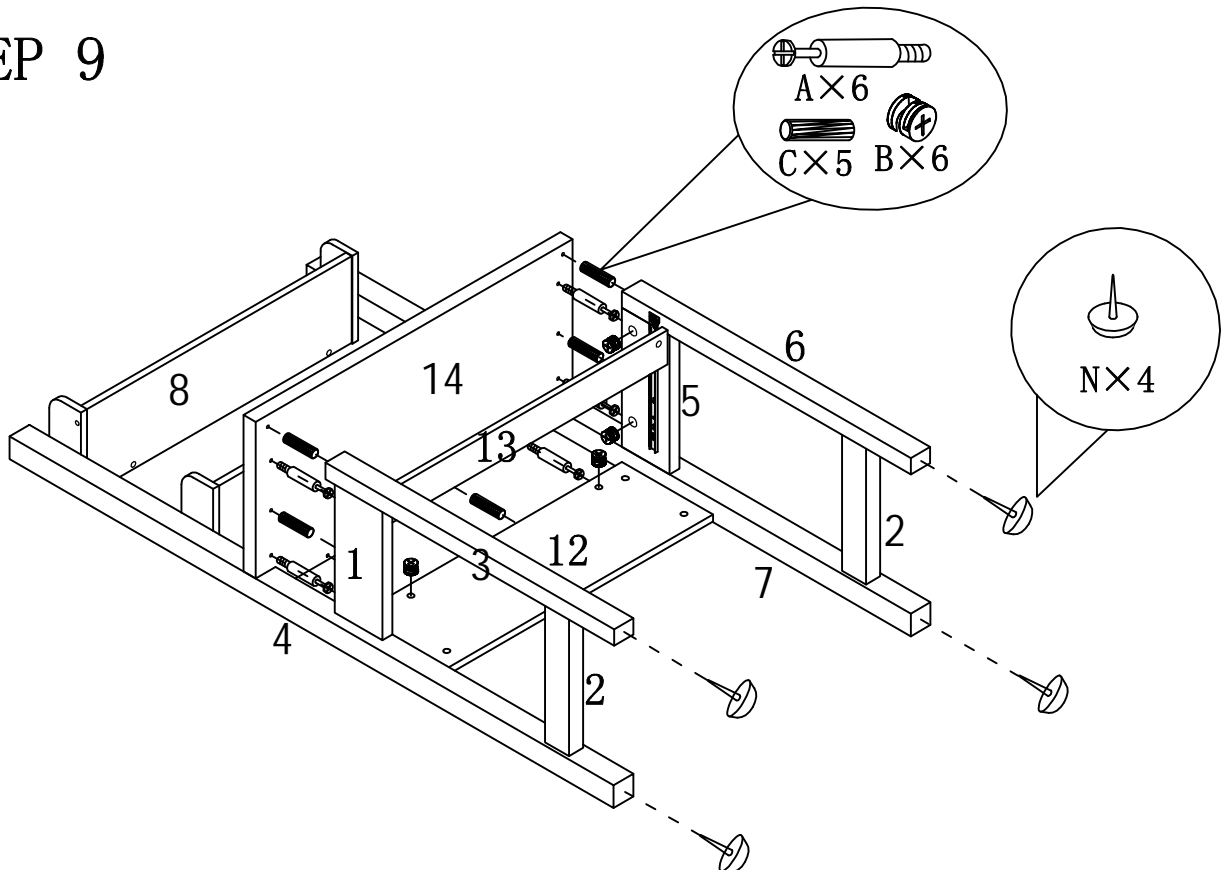
ASSEMBLY INSTRUCTION

ITEM#: 13748 212965



STEP 8

STEP 9



ASSEMBLY INSTRUCTION

ITEM#: 13748 212965

