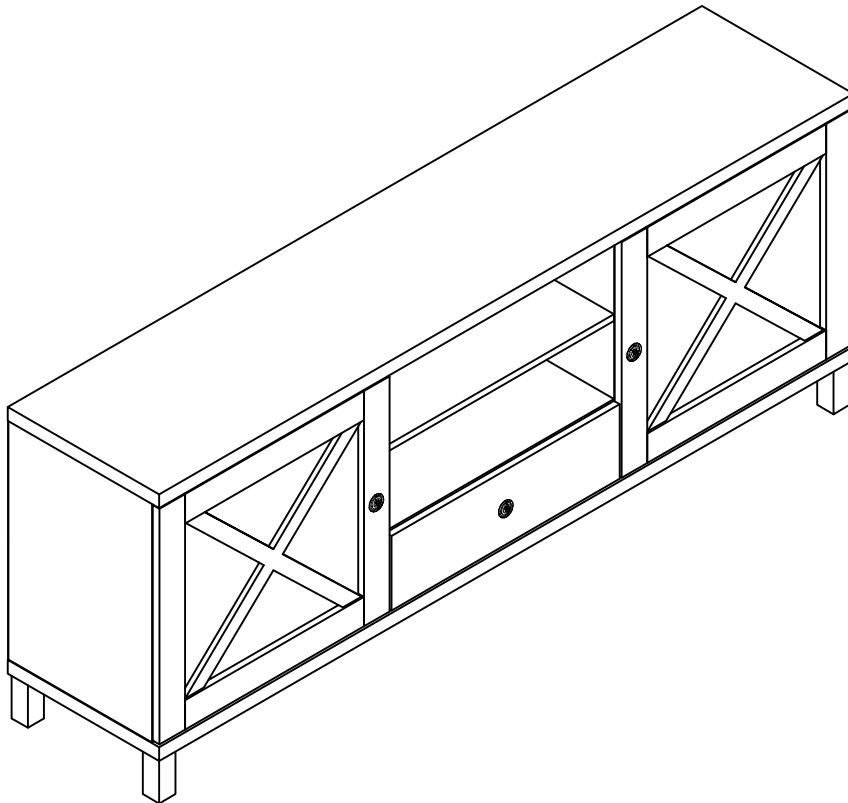


ASSEMBLY INSTRUCTION

ITEM#: 182290 212896 212960



ASSEMBLY INSTRUCTION

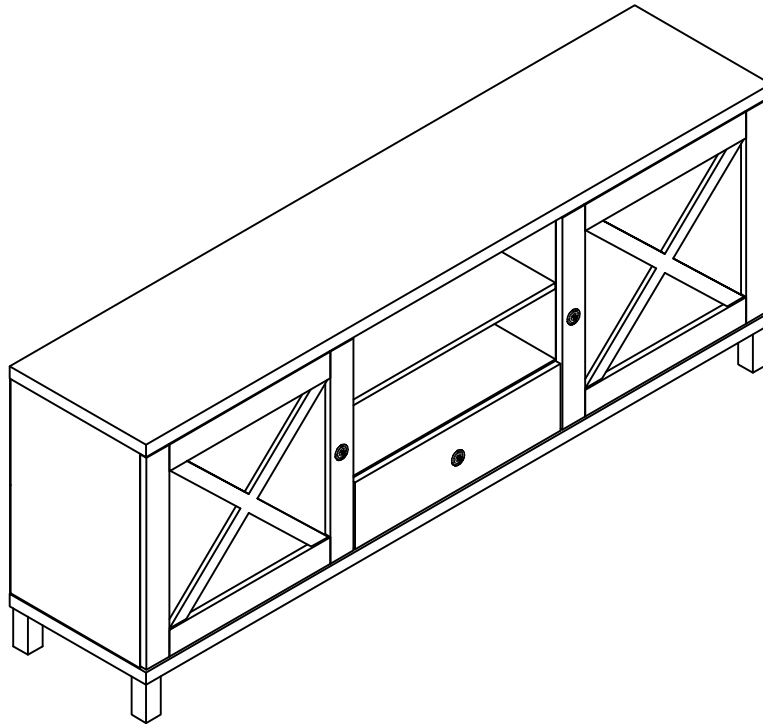
PLEASE READ BEFORE ASSEMBLING!

Tip #1: Make sure you've taken all the pieces and hardware out of its packaging before discarding the box. Assembly on top of flattened box/blanket is recommended.

Tip #2: Using page 2 and/or page 3 of instruction manual make sure all pieces and hardware are accounted for.

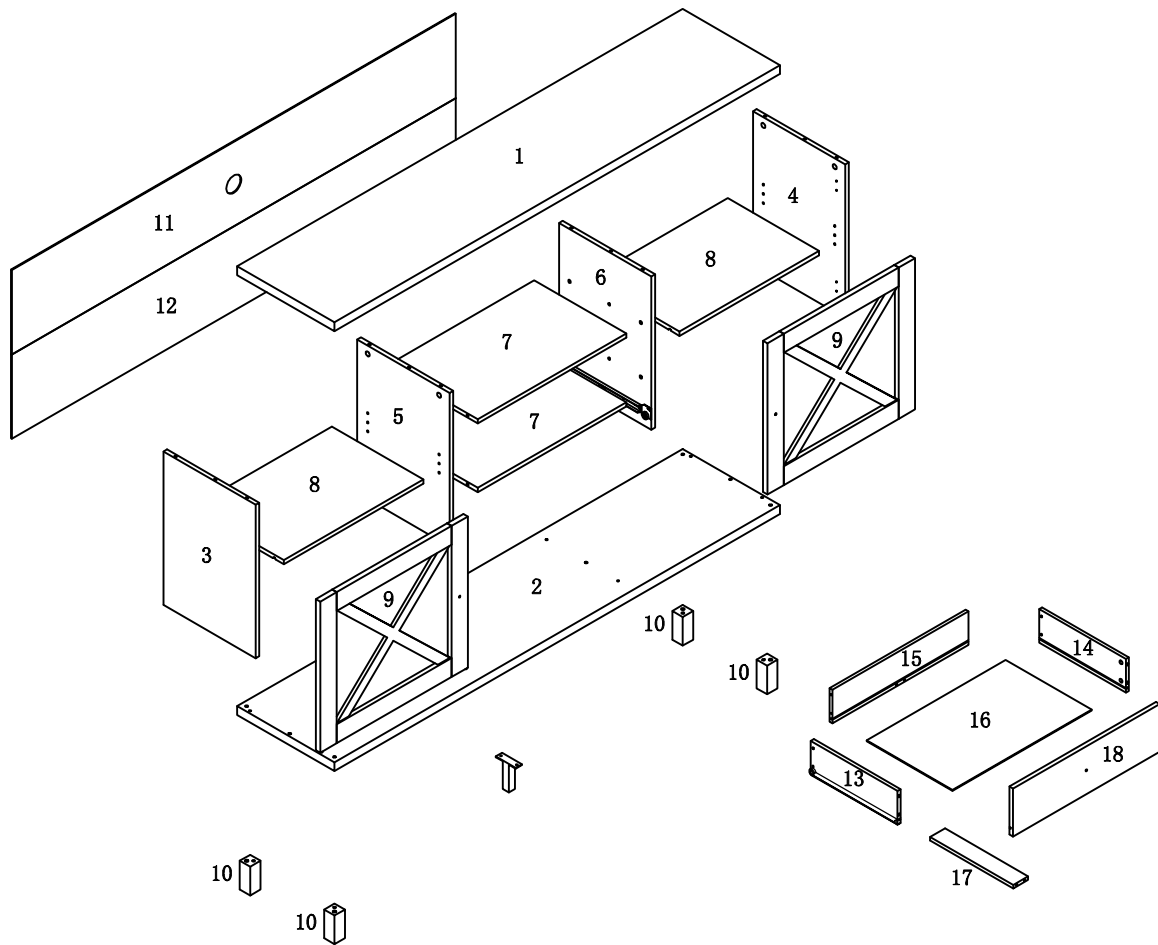
Tip #3: Note position of all holes on each panel during assembly.

ITEM#: 182290 212896 212960



PARTS IDENTIFICATION

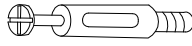

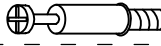

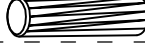
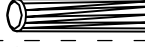
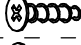
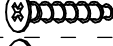
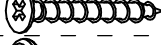






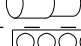



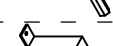

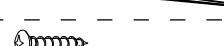
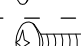
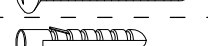
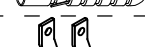
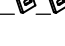
ITEM#: 182290 212896 212960



(1)	1pc	(7)	2pcs	(13)	1pc
(2)	1pc	(8)	2pcs	(14)	1pc
(3)	1pc	(9)	2pcs	(15)	1pc
(4)	1pc	(10)	4pcs	(16)	1pc
(5)	1pc	(11)	1pc	(17)	1pc
(6)	1pc	(12)	1pc	(18)	1pc

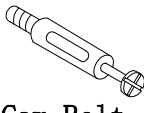
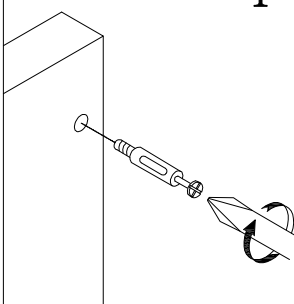
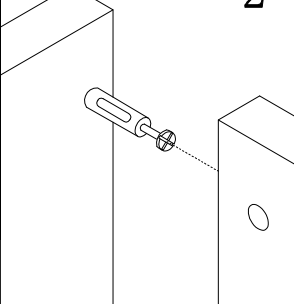
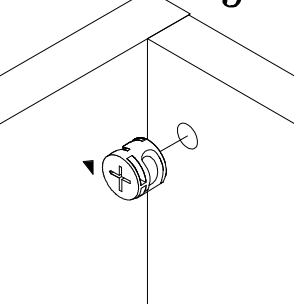
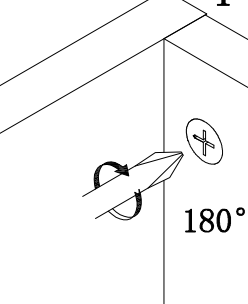

HARDWARE IDENTIFICATION

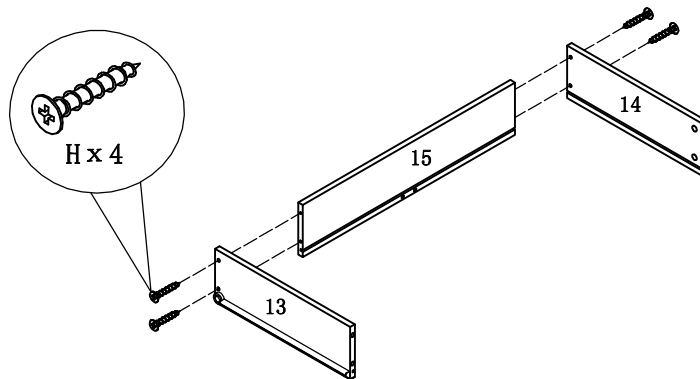
ITEM#: 182290 212896 212960

A		L29	16pcs
B		ø15	16pcs
C		L20	4pcs
D		ø12	4pcs
E		ø8x25	16pcs
F		ø6x30	2pcs
G		ø4x16	16pcs
H		ø4x30	6pcs
I		ø4x45	8pcs
J		M8x45	4pcs
K		ø16xø8x2	4pcs
L		M6x12	2pcs
M			3pcs
N		M4x20	3pcs
O		301A	4pcs
P		ø5	8pcs
Q		ø22	16pcs
R		ø16	4pcs
S			50pcs
T		M5	1pc
U		80×25×100	1pc
V		197×5×1	1pc
W		ø4x25	1pc
X		ø5x40	1pc
Y		ø8 x 40	1pc
Z		12×12×1	2pcs

ASSEMBLY INSTRUCTION

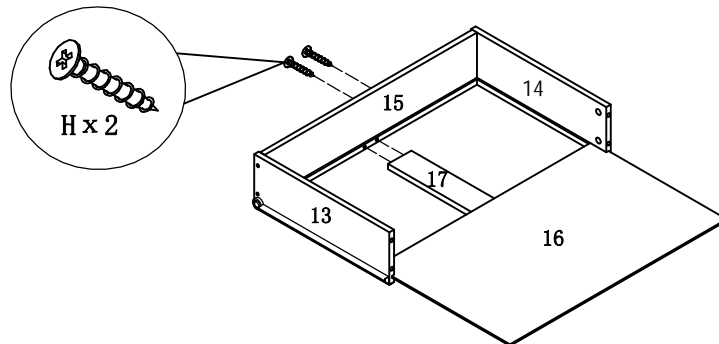
ITEM#: 182290 212896 212960

HOW TO	1	2	3	4
 Cam Bolt				
 Cam Lock	1. Screw Cam Bolt into panel.	2. Insert Cam Bolt into bolt hole of joining panel.	3. Insert Cam Lock. arrow facing bolt.	4. Gently turn Cam Lock clockwise to lock position.



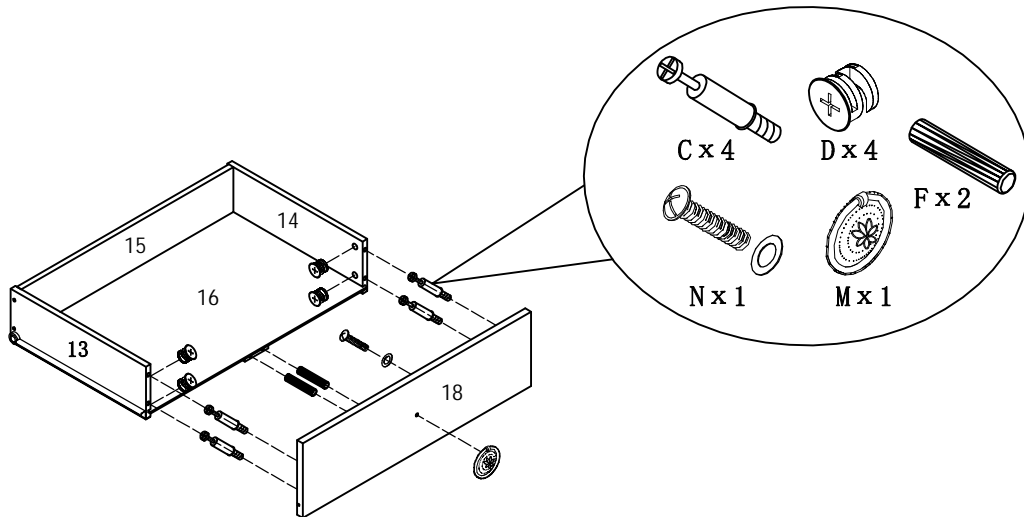
STEP 1

STEP 2



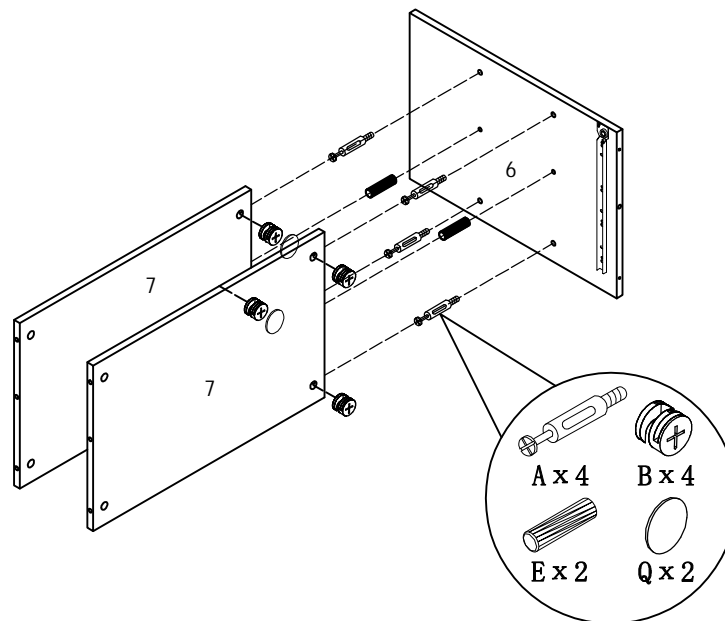
ASSEMBLY INSTRUCTION

ITEM#: 182290 212896 212960



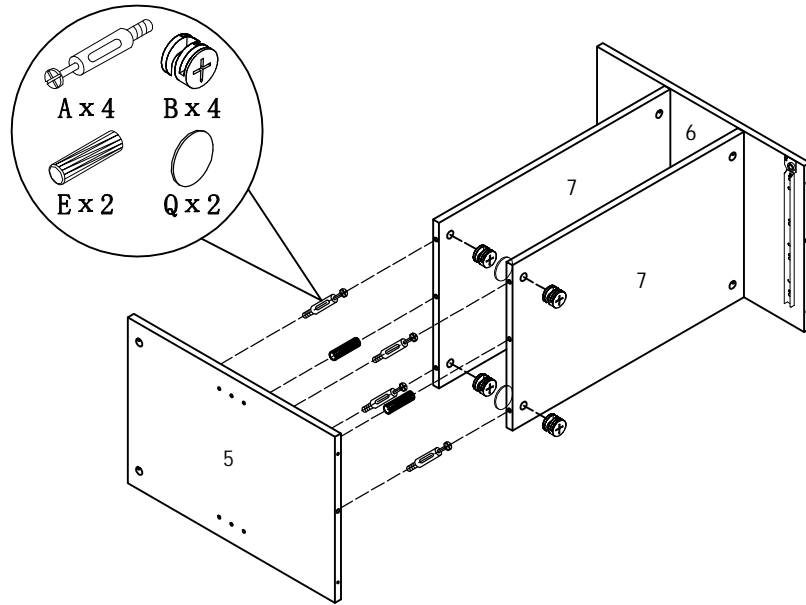
STEP 3

STEP 4



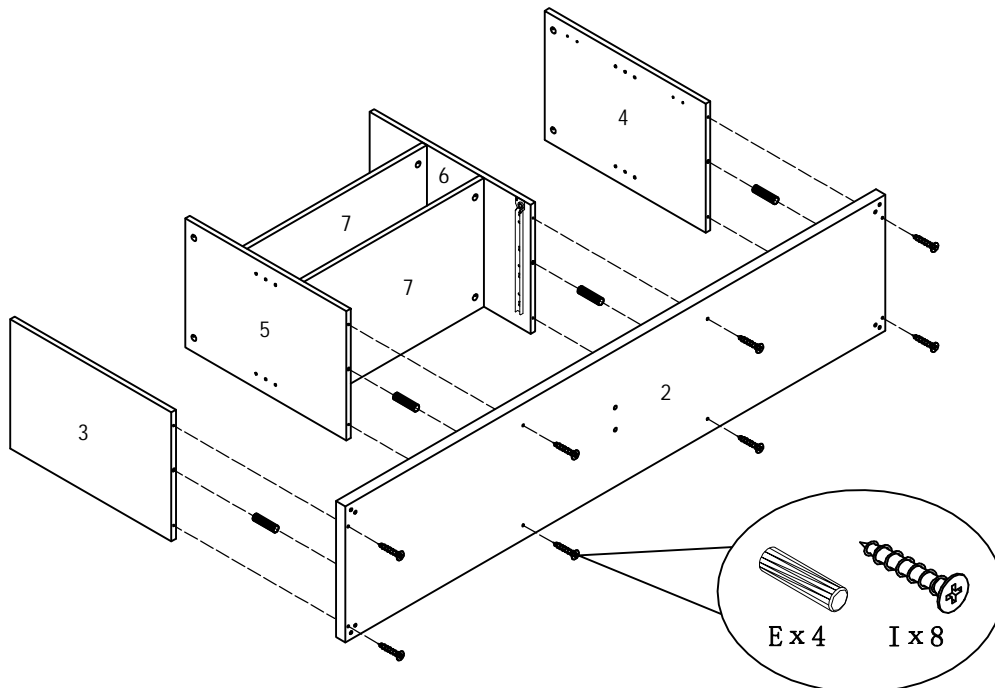
ASSEMBLY INSTRUCTION

ITEM#: 182290 212896 212960



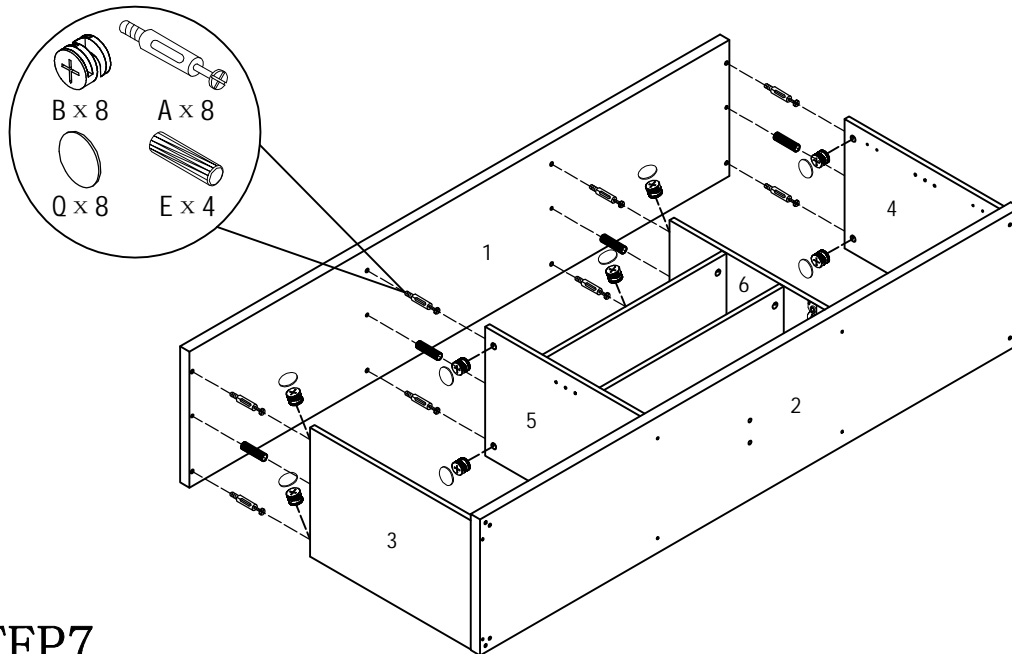
STEP 5

STEP 6



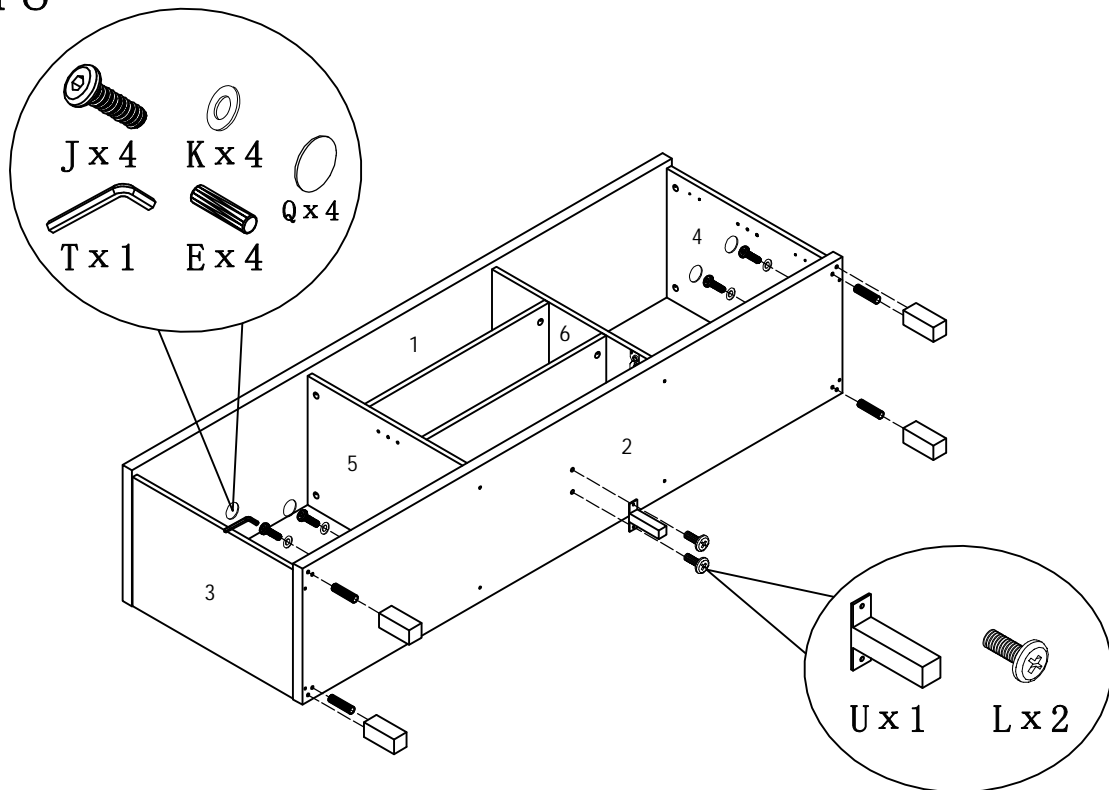
ASSEMBLY INSTRUCTION

ITEM#: 182290 212896 212960



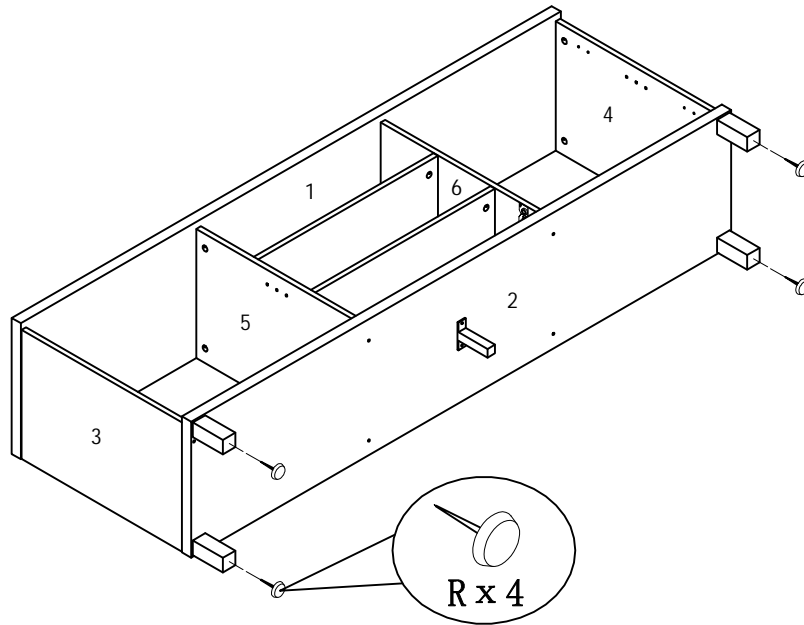
STEP 7

STEP 8



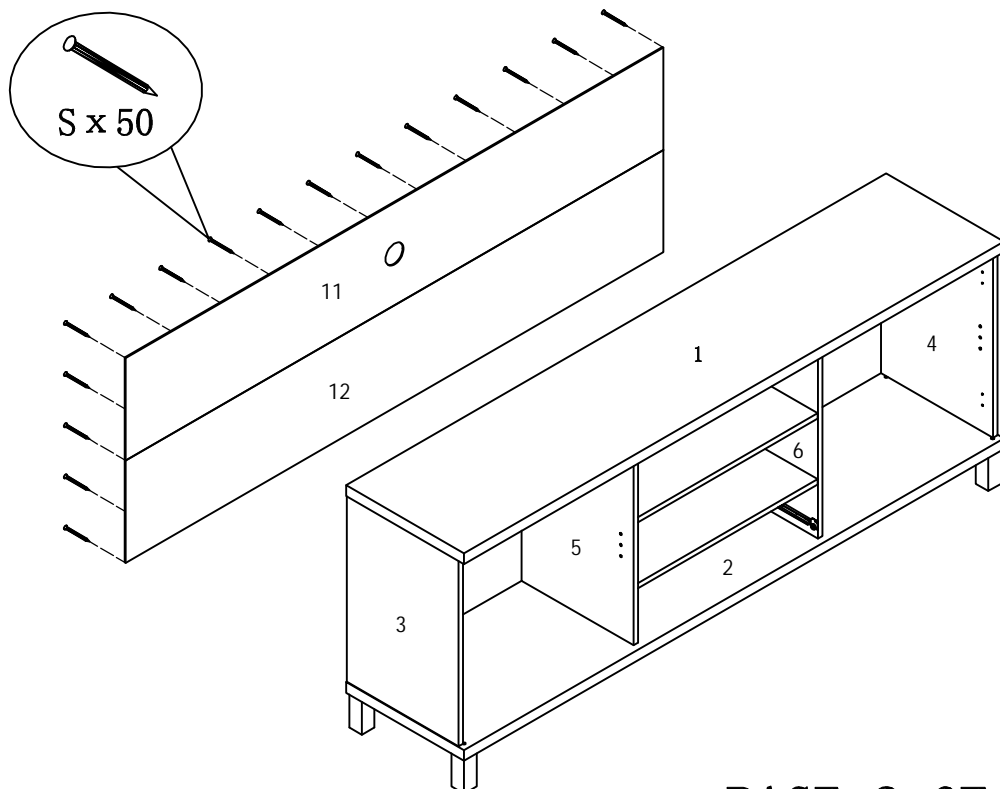
ASSEMBLY INSTRUCTION

ITEM#: 182290 212896 212960



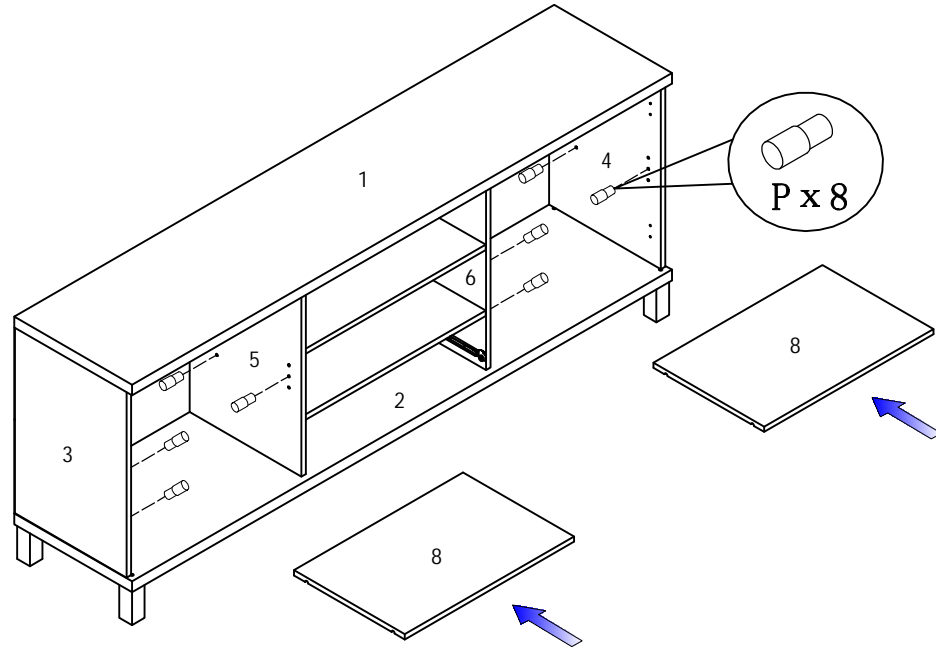
STEP 9

STEP 10



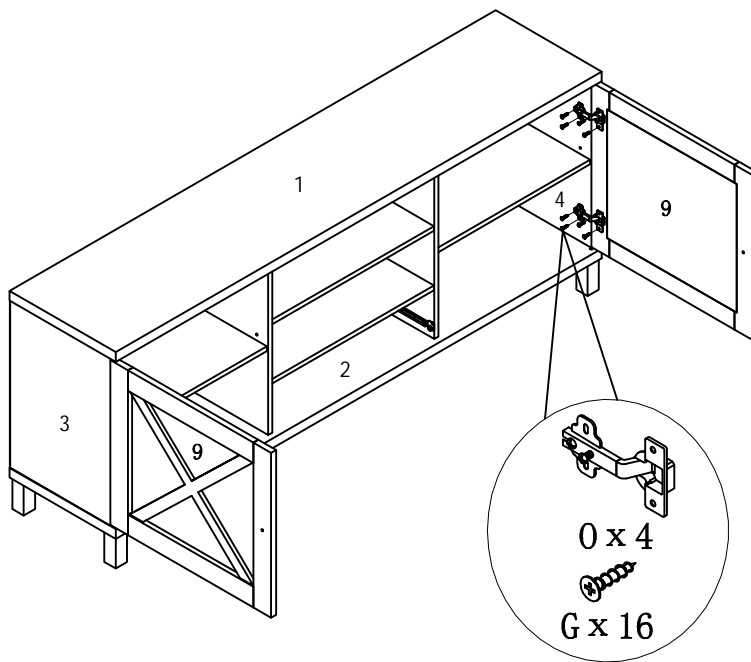
ASSEMBLY INSTRUCTION

ITEM#: 182290 212896 212960

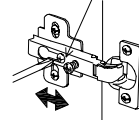


STEP 11

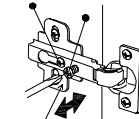
STEP 12



To adjust the door in or out, loosen this screw and push the door further in or push further out then retighten screws.



To adjust the door vertically, loosen the top and bottom screws, push the door up or down as necessary, then retighten screws.

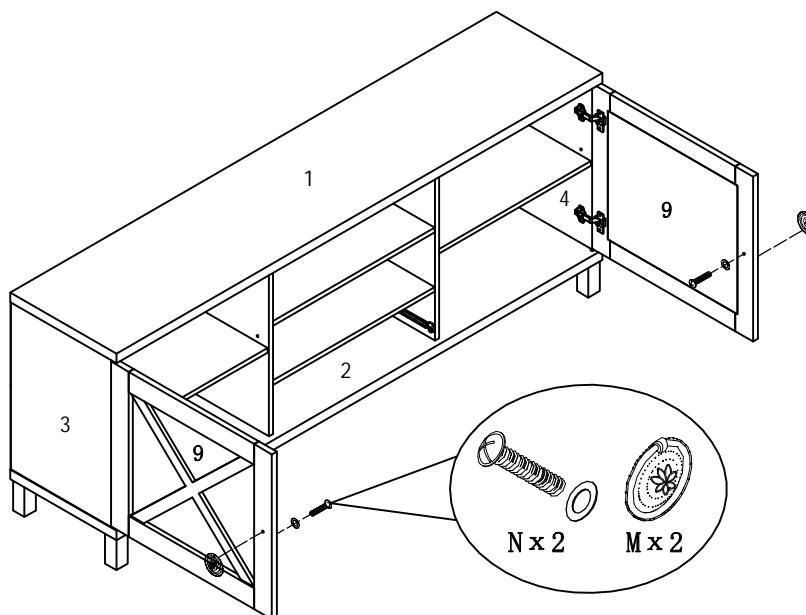


To adjust the door left/right, turn this screw clockwise to move this corner of the door toward the frame, or counterclockwise to move door away from the frame.



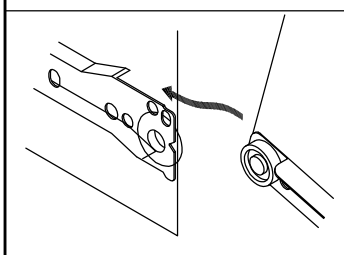
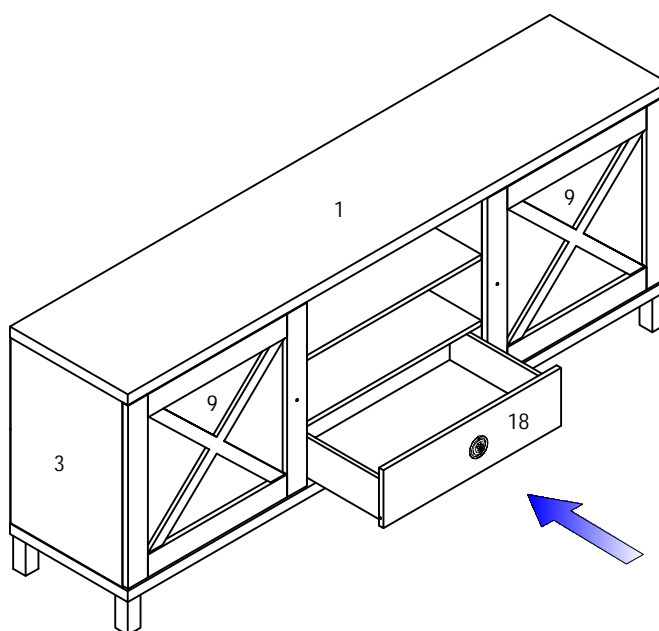
ASSEMBLY INSTRUCTION

ITEM#: 182290 212896 212960



STEP 13

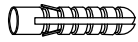
STEP 14



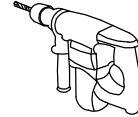
ANTI-TIPPING STRAP INSTRUCTION

HARDWARE (INCLUDED) :

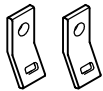
TOOLS NEEDED (NOT INCLUDED) :



DRYWALL ANCHOR $\phi 8 \times 40$ X 1PC



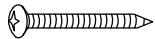
DRILL & DRILL BIT



METAL BRACKETS $12 \times 12 \times 1$ X 2PCS



LIGHT HAMMER



DRYWALL SCREW $\phi 5 \times 40$ X 1PC



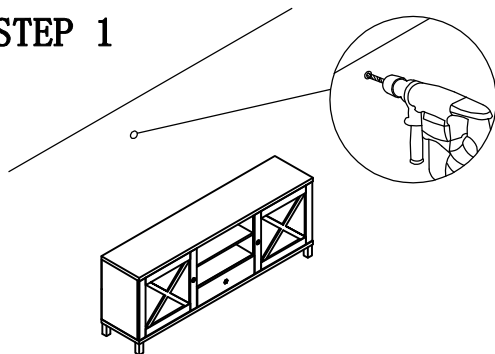
STRAP $197 \times 5 \times 1$ X 1PC



FLATHEAD SCREW $\phi 4 \times 25$ X 1PC

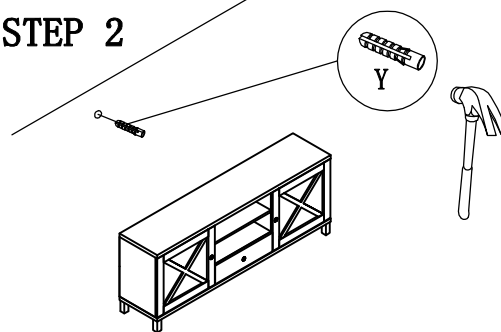
Note: Hardware included only compatible with standard drywalls.

STEP 1



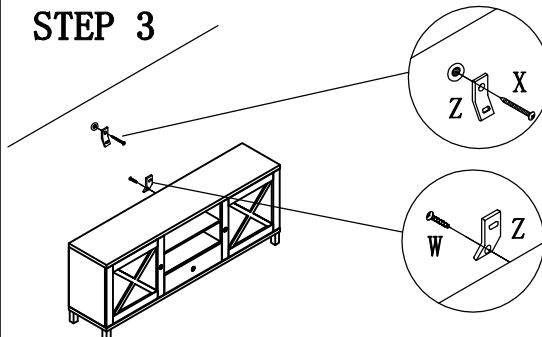
1. Find spot on wall 1" below top of item.
2. Using a drill bit slightly thinner than anchor, drill hole into drywall.

STEP 2



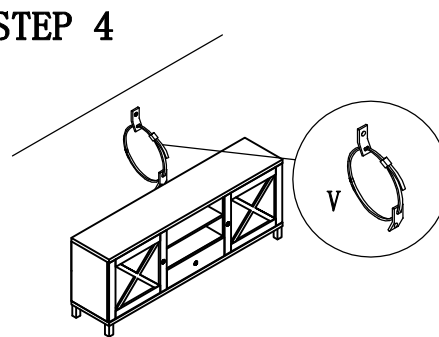
1. Use a light hammer to tap anchor into hole.
2. Anchor should fit snugly. If hole is too small, drill again to increase hole size. Do not force anchor into wall.

STEP 3



1. Insert drywall screw into metal bracket and into drywall anchor.
2. Insert flathead screw into second metal bracket and into back of item, along top edge.

STEP 4



1. Insert strap thru bracket attached to wall, then thru bracket on item, and into head of strap.
 2. pull lightly til strap stops.
- Assembly is complete.