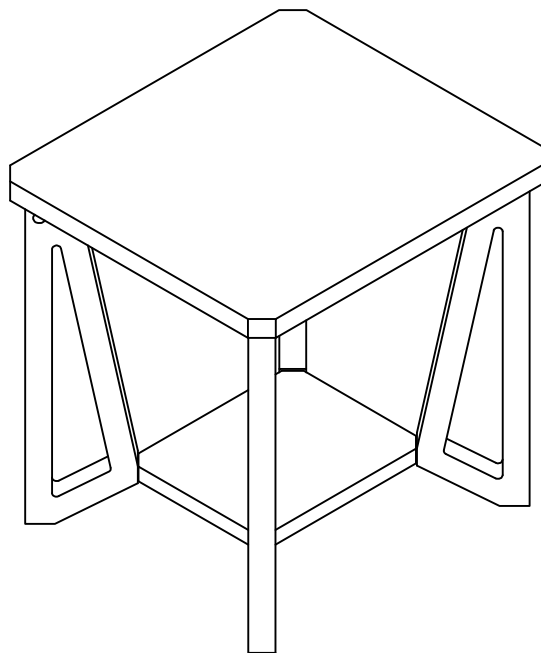


# ASSEMBLY INSTRUCTION

---

ITEM#: 192474 ET 202782 ET



# ASSEMBLY INSTRUCTION

---

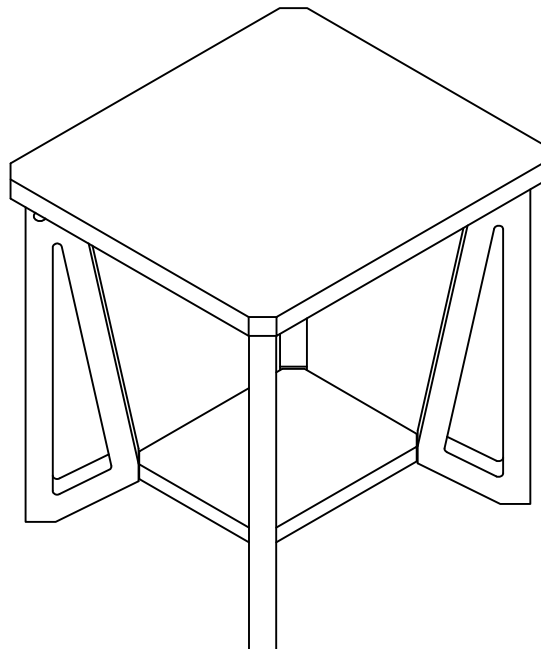
## PLEASE READ BEFORE ASSEMBLING!

Tip #1: Make sure you've taken all the pieces and hardware out of its packaging before discarding the box.

Tip #2: Using page 2 and/or page 3 of instruction manual make sure all pieces and hardware are accounted for.

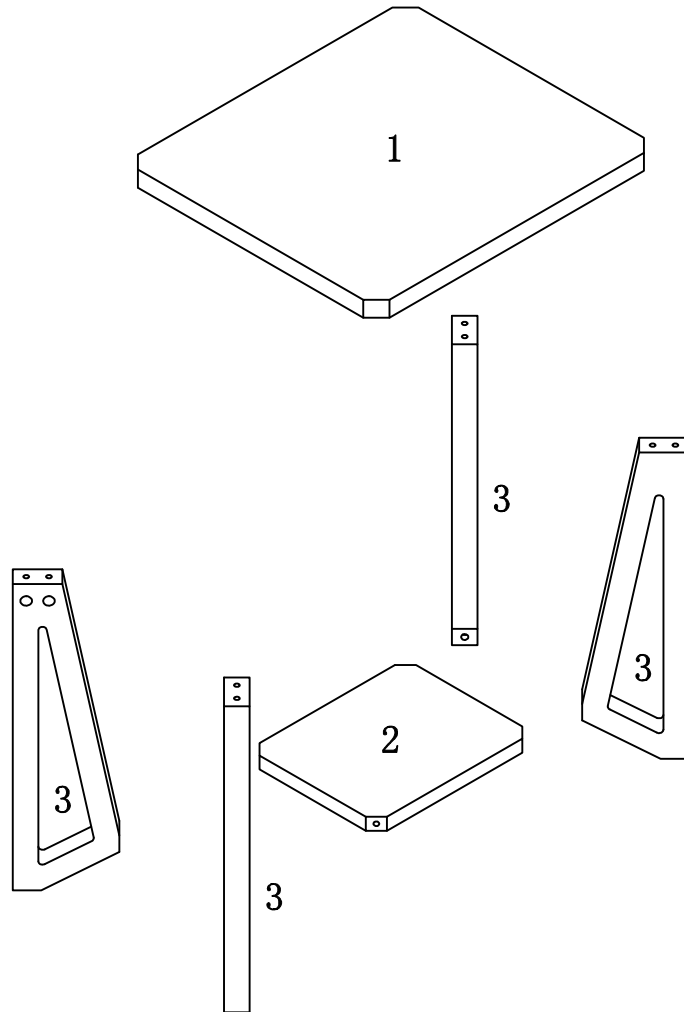
Tip #3: Read manual before assembling, it helps!

ITEM#: 192474 ET 202782 ET



# PARTS IDENTIFICATION

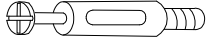


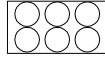


ITEM#: 192474 ET 202782 ET



- (1) 1pc
- (2) 1pc
- (3) 4pcs

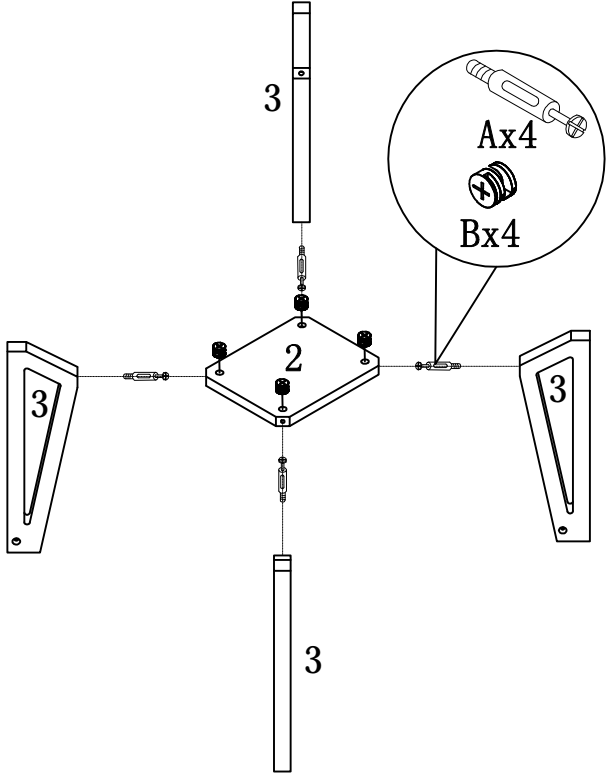
# HARDWARE IDENTIFICATION

ITEM#: 192474 ET 202782 ET

A		L29	12pcs
B		Ø15	12pcs
C		Ø8x25	4pcs
D		Ø22	8pcs
E		Ø16	4pcs
F		Glue: For securing please apply to wood dowel first before inserting into panel	1pc

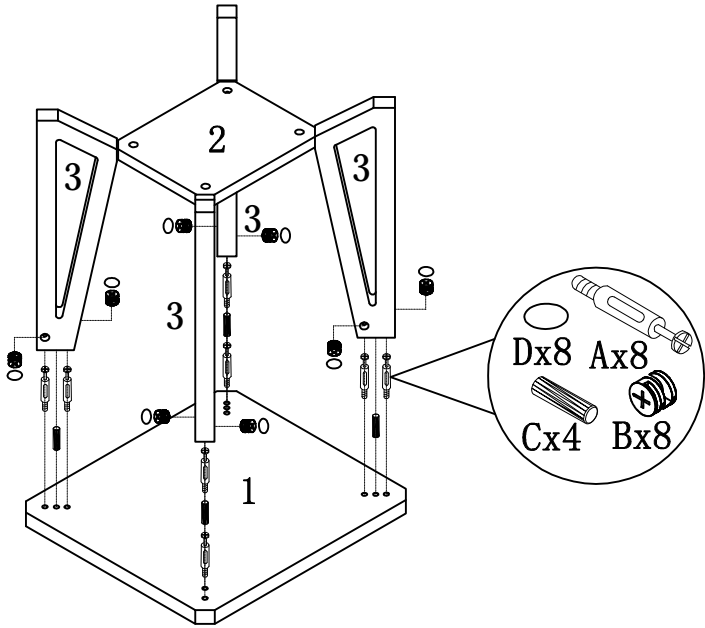
# ASSEMBLY INSTRUCTION

ITEM#:192474 ET 202782 ET



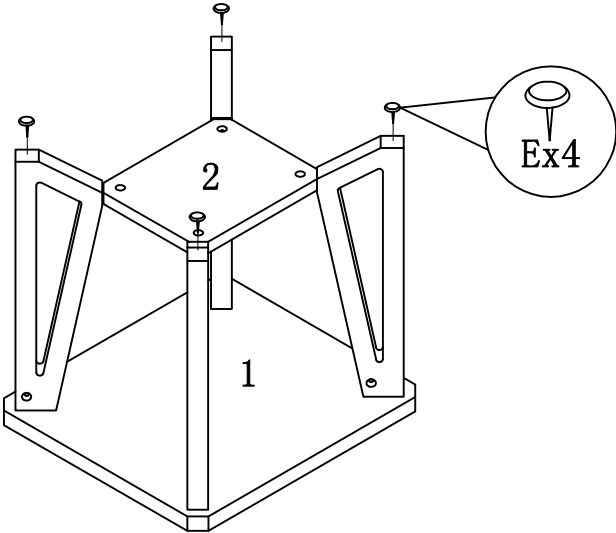
STEP1

STEP2



# ASSEMBLY INSTRUCTION

ITEM#:192474 ET 202782 ET



STEP3

STEP4

