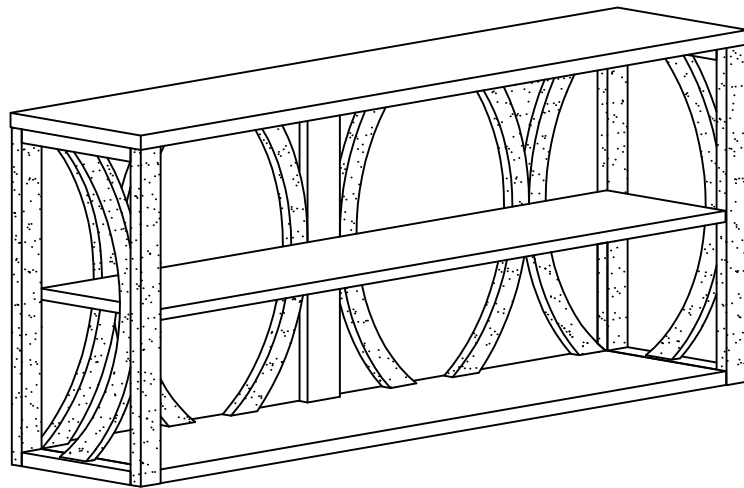


ASSEMBLY INSTRUCTION

ITEM#: 202743



ASSEMBLY INSTRUCTION

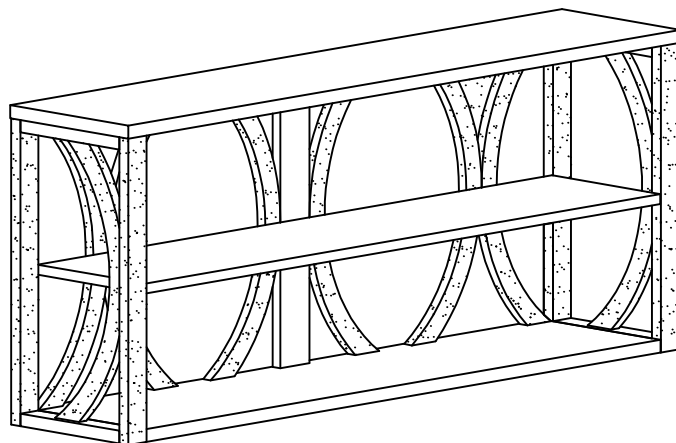
PLEASE READ BEFORE ASSEMBLING!

Tip #1: Make sure you've taken all the pieces and hardware out of its packaging before discarding the box.

Tip #2: Using page 2 and/or page 3 of instruction manual make sure all pieces and hardware are accounted for.

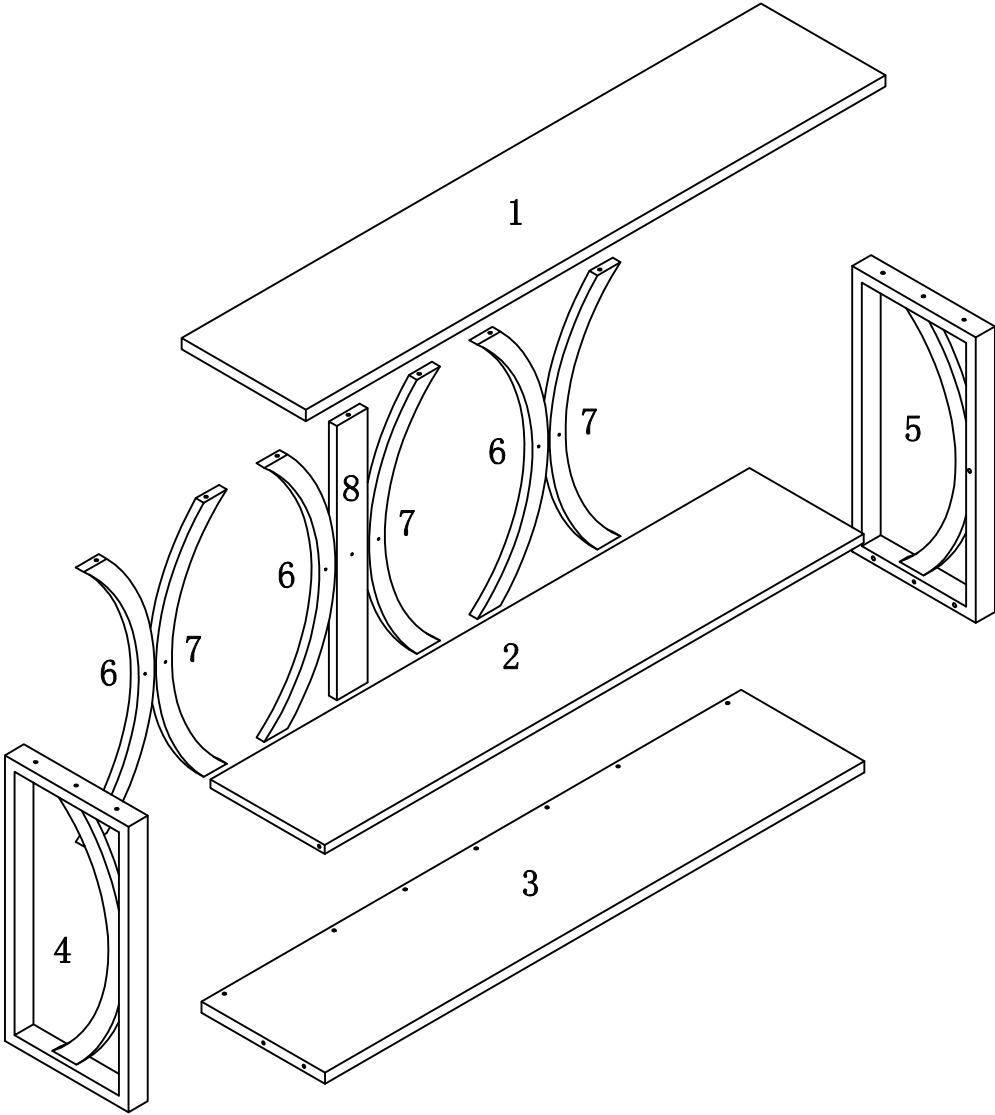
Tip #3: Read manual before assembling, it helps!

ITEM# : 202743



PARTS IDENTIFICATION

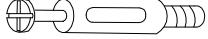


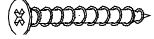





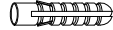

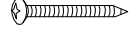


ITEM#: 202743



(1)	1pc	(8)	1pc
(2)	1pc		
(3)	1pc		
(4)	1pc		
(5)	1pc		
(6)	3pcs		
(7)	3pcs		

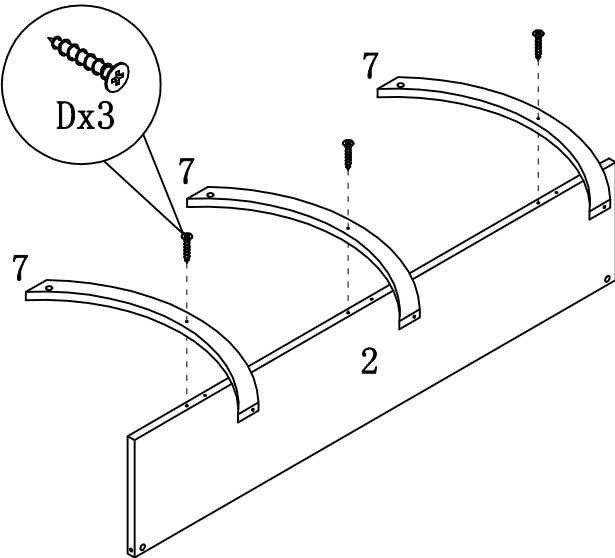
HARDWARE IDENTIFICATION

ITEM#: 202743

A		L29	13pcs
B		φ15	13pcs
C		φ8x25	4pcs
D		φ4x50	7pcs
E		φ7x48	7pcs
F		φ8xφ16x2	11pcs
G		M8x40	4pcs
H		M5	1pc
I		φ16	6pcs
J		φ8x40	1pc
K		φ12x12x1	2pcs
L		φ5x40	1pc
M		φ4x25	1pc
N		197×5×1	1pc

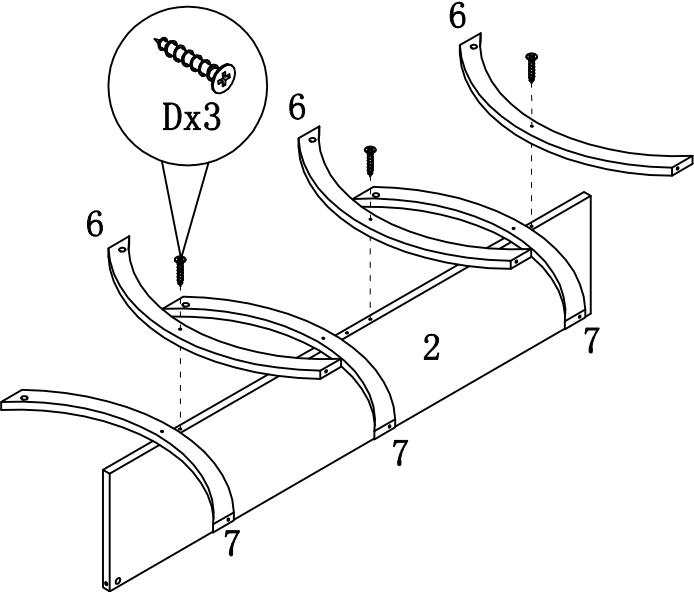
ASSEMBLY INSTRUCTION

ITEM#: 202743



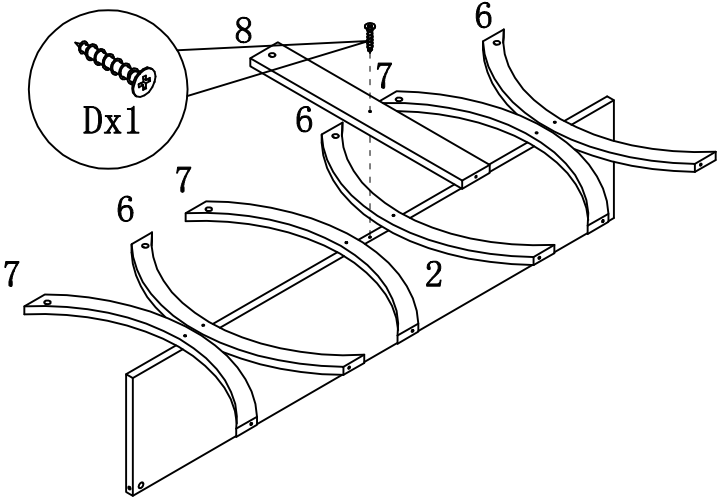
STEP 1

STEP 2



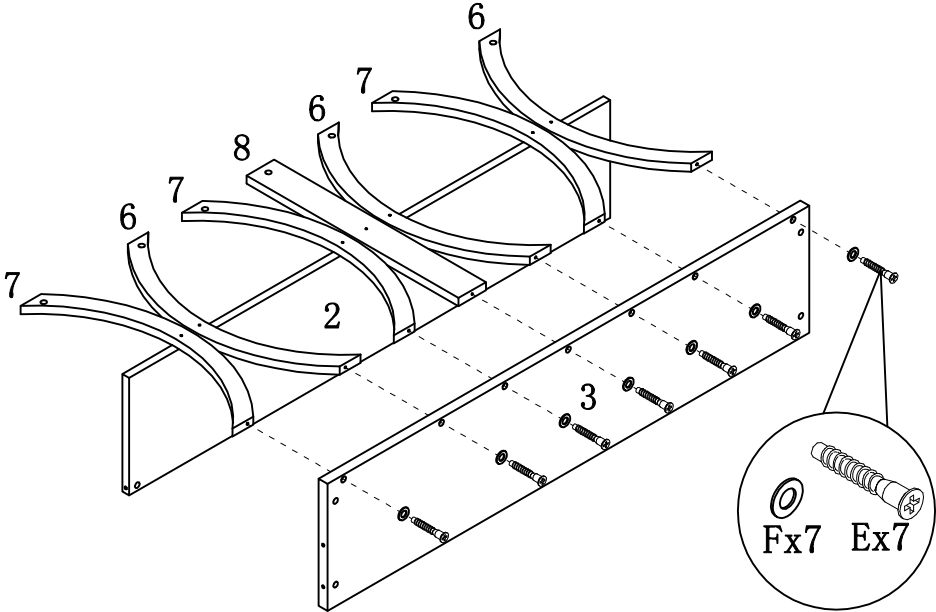
ASSEMBLY INSTRUCTION

ITEM#: 202743



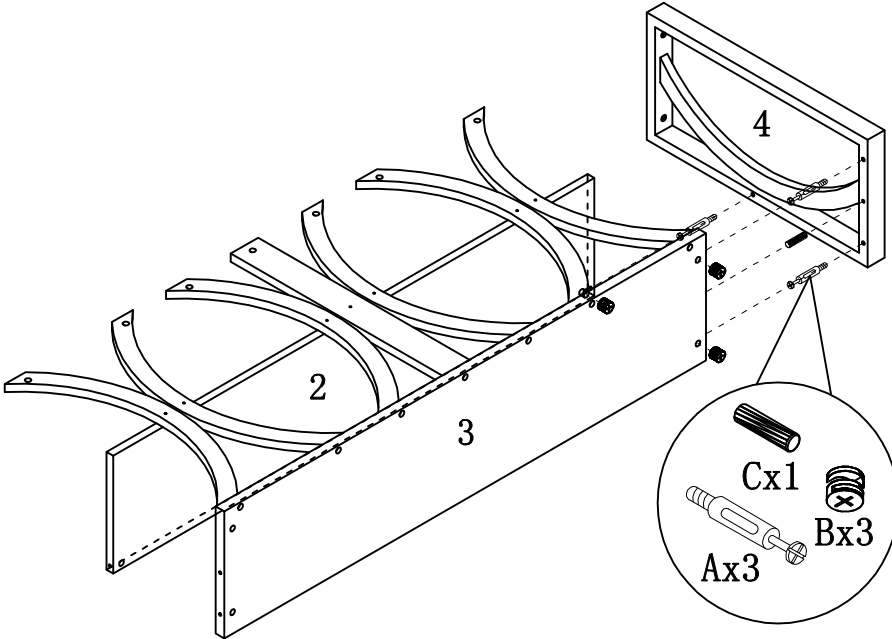
STEP3

STEP4

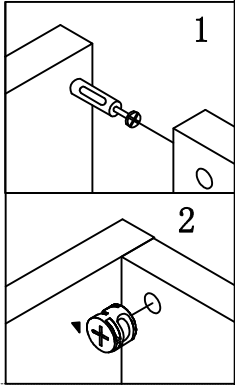


ASSEMBLY INSTRUCTION

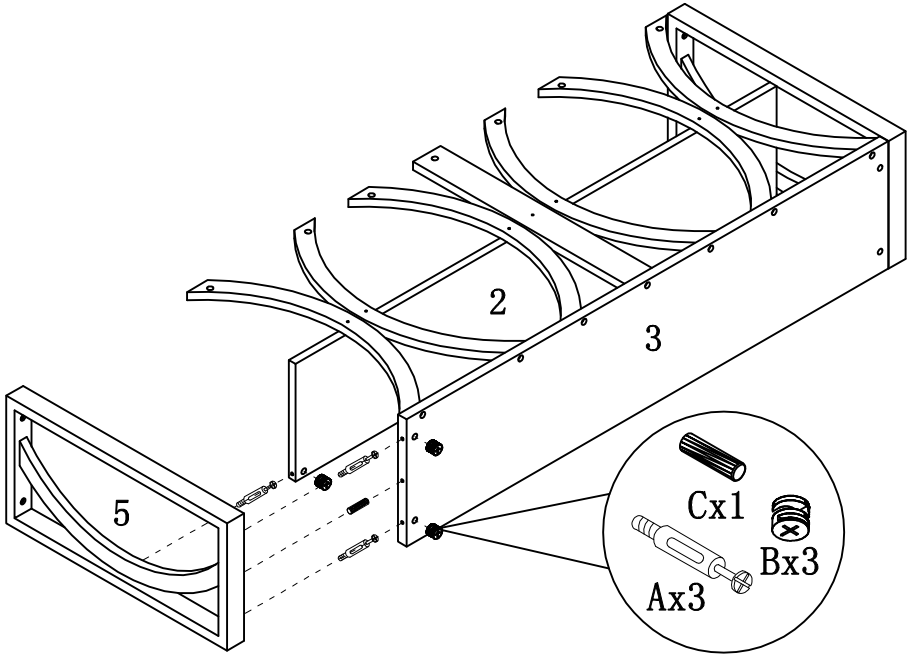
ITEM#: 202743



STEP5

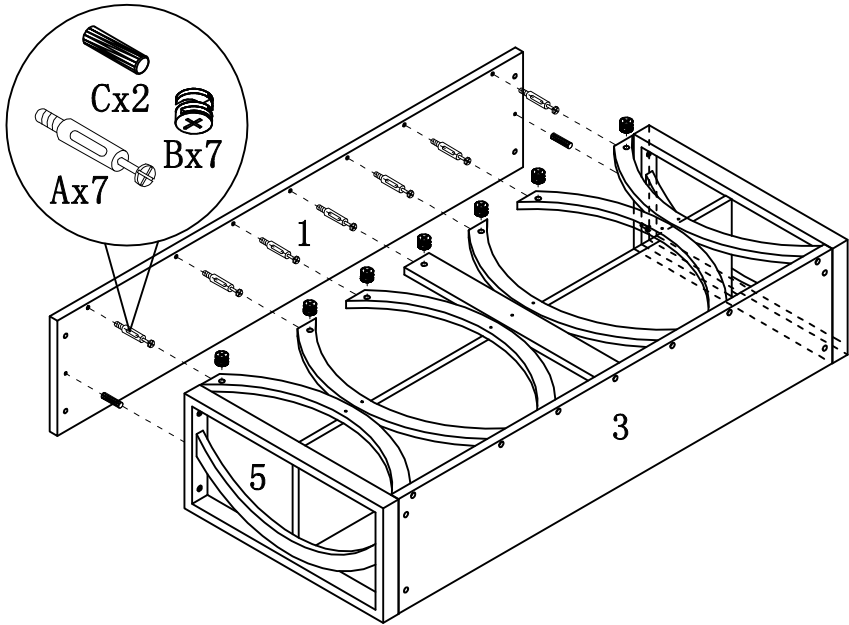


STEP6



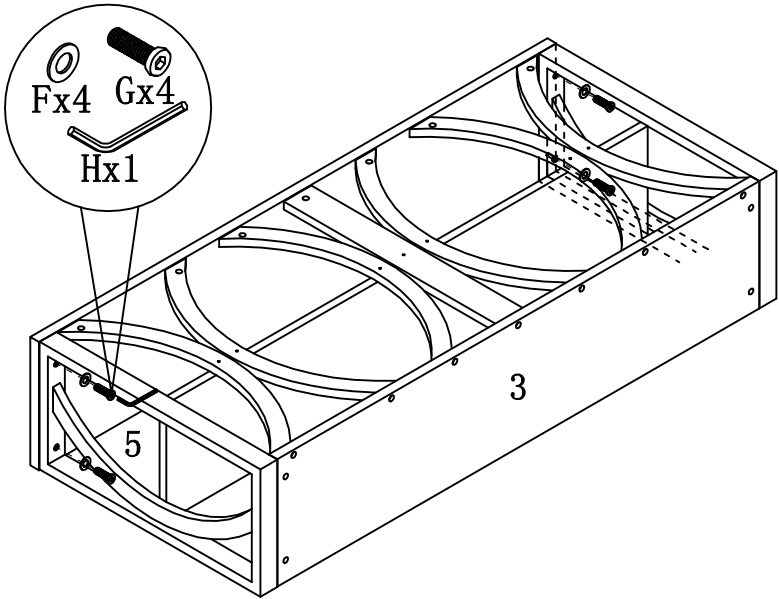
ASSEMBLY INSTRUCTION

ITEM#: 202743



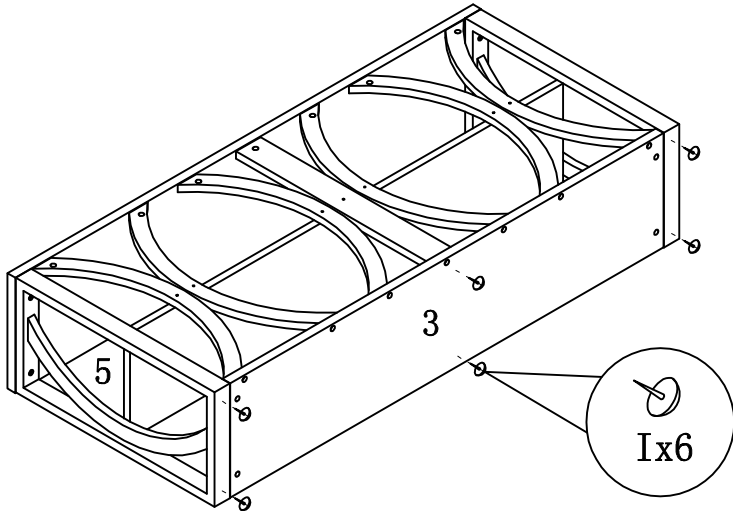
STEP7

STEP8



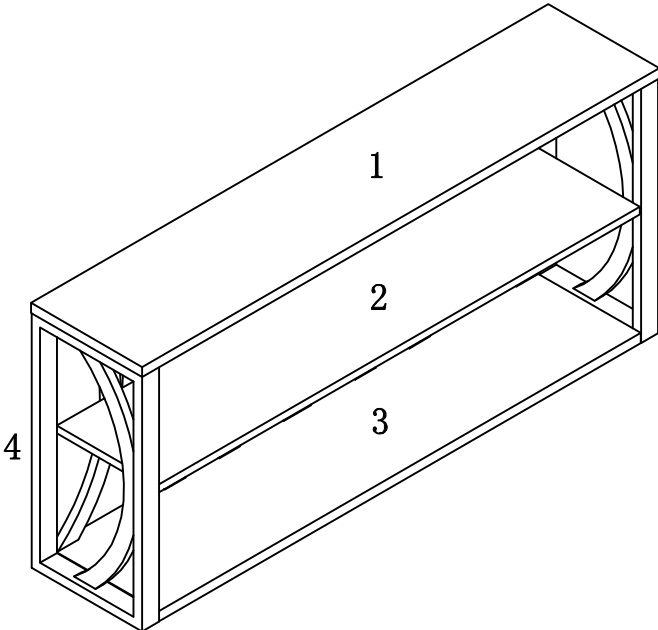
ASSEMBLY INSTRUCTION

ITEM#: 202743



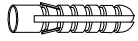
STEP9

STEP10

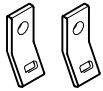


ANTI-TIPPING STRAP INSTRUCTION

HARDWARE (INCLUDED) :



DRYWALL ANCHOR $\phi 8 \times 40$ X 1PC



METAL BRACKETS $12 \times 12 \times 1$ X 2PCS



DRYWALL SCREW $\phi 5 \times 40$ X 1PC

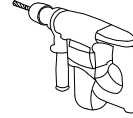


STRAP $197 \times 5 \times 1$ X 1PC



FLATHEAD SCREW $\phi 4 \times 25$ X 1PC

TOOLS NEEDED (NOT INCLUDED) :



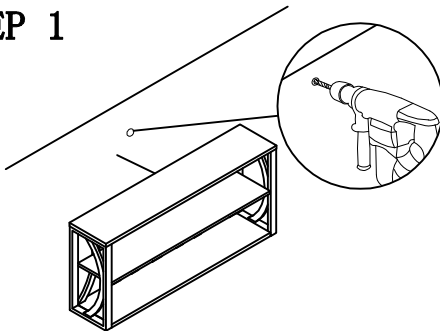
DRILL & DRILL BIT



LIGHT HAMMER

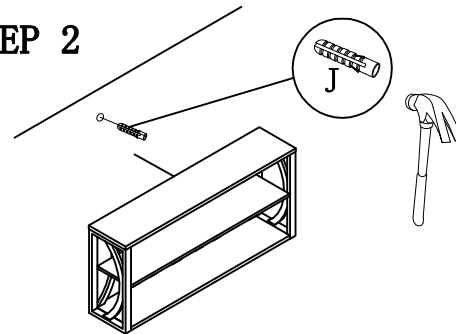
Note: Hardware included only compatible with standard drywalls.

STEP 1



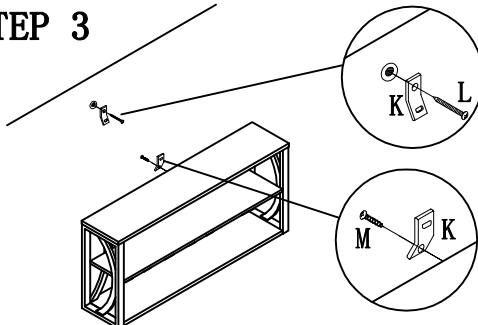
1. Find spot on wall 1" below top of item.
2. Using a drill bit slightly thinner than anchor, drill hole into drywall.

STEP 2



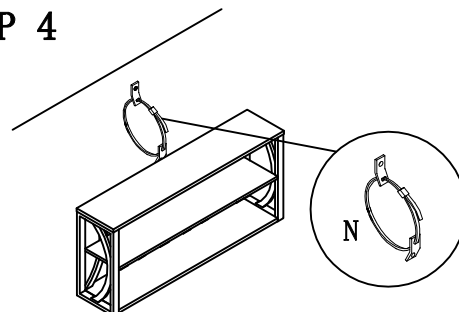
1. Use a light hammer to tap anchor into hole.
2. Anchor should fit snugly. If hole is too small, drill again to increase hole size. Do not force anchor into wall.

STEP 3



1. Insert drywall screw into metal bracket and into drywall anchor.
2. Insert flathead screw into second metal bracket and into back of item along top edge.

STEP 4



1. Insert strap thru bracket attached to wall, then thru bracket on item, and into head of strap.
 2. pull lightly til strap stops.
- Assembly is complete.