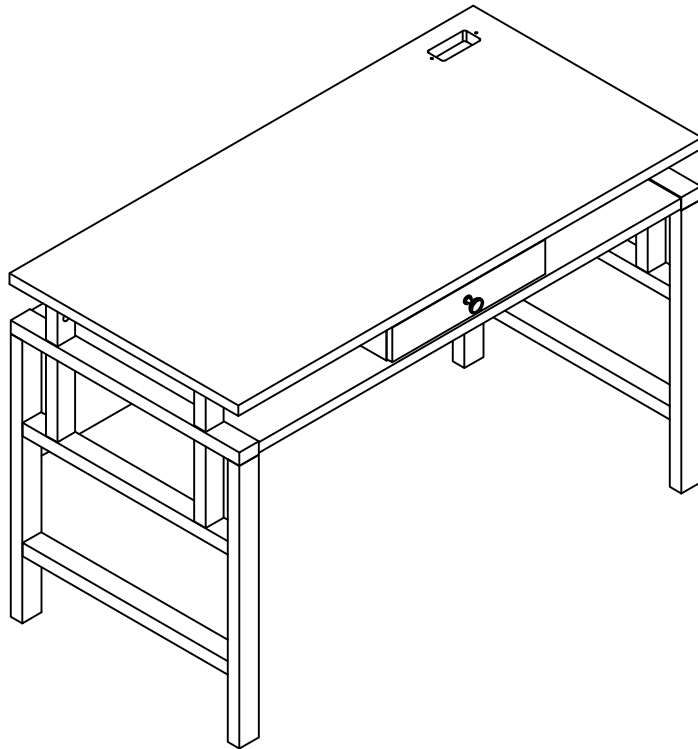


ASSEMBLY INSTRUCTION

ITEM#: 202724



ASSEMBLY INSTRUCTION

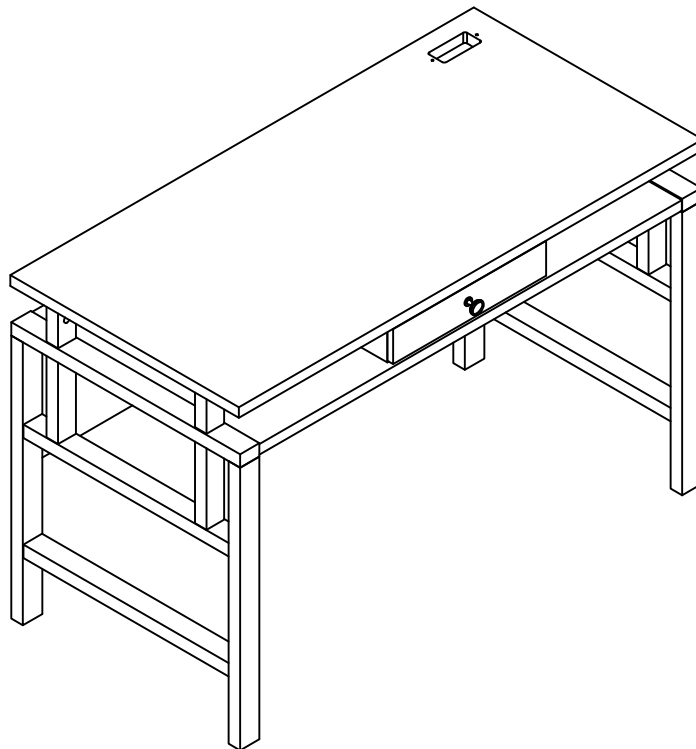
PLEASE READ BEFORE ASSEMBLING!

Tip #1: Make sure you've taken all the pieces and hardware out of its packaging before discarding the box. Assembly on top of flattened box/blanket is recommended.

Tip #2: Using page 2 and/or page 3 of instruction manual make sure all pieces and hardware are accounted for.

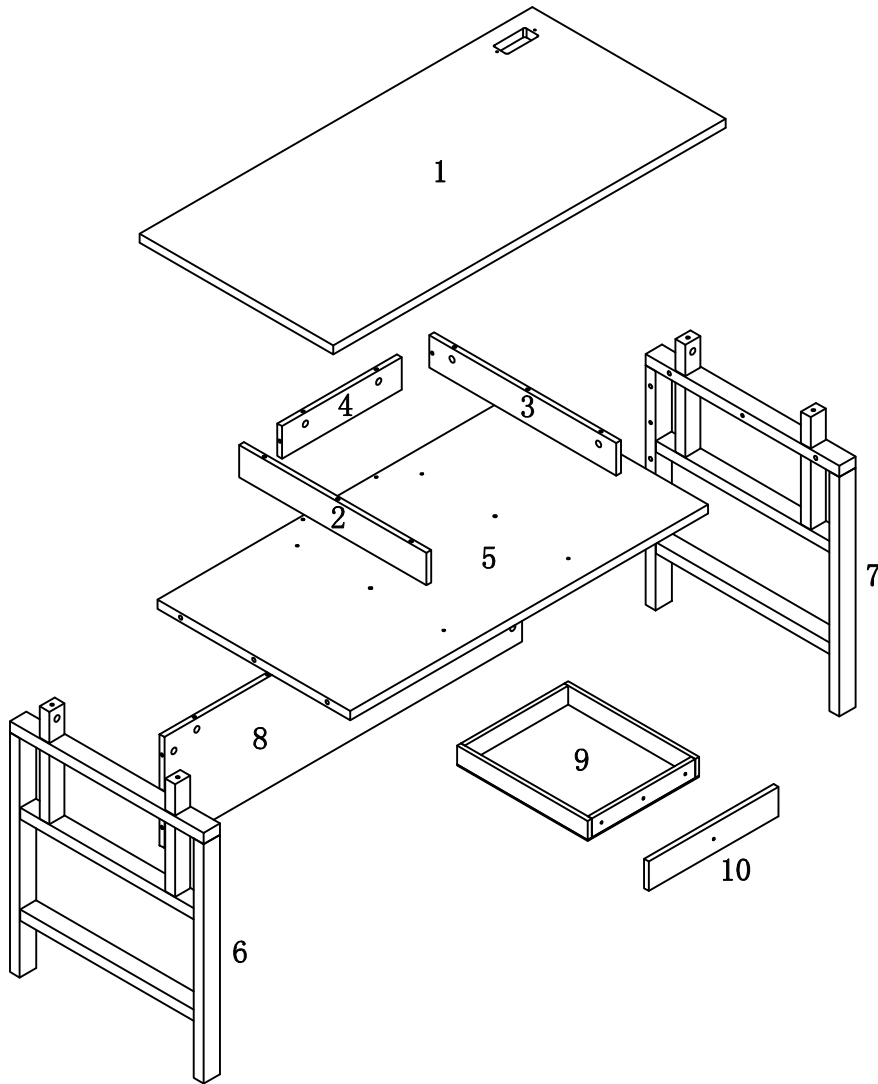
Tip #3: Note position of all holes on each panel during assembly.

ITEM#: 202724



PARTS IDENTIFICATION




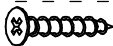
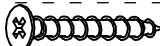

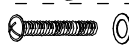



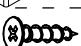
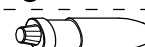
ITEM#: 202724



(1)	1pc	(6)	1pc
(2)	1pc	(7)	1pc
(3)	1pc	(8)	1pc
(4)	1pc	(9)	1pc
(5)	1pc	(10)	1pc

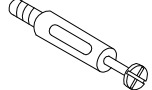

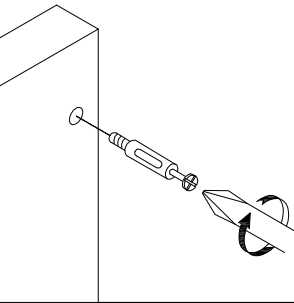
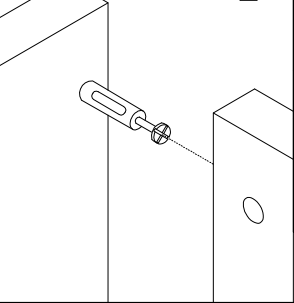
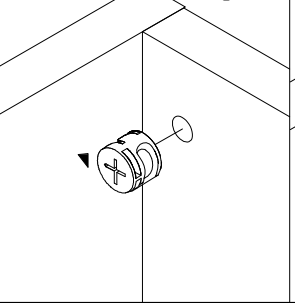
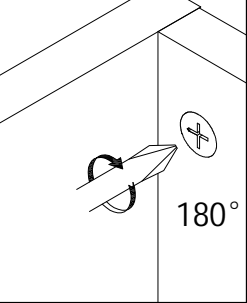
HARDWARE IDENTIFICATION

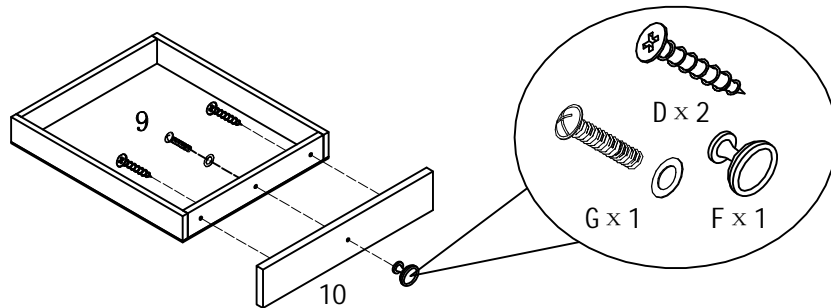
ITEM#: 202724

A		L29	21pcs
B		Ø15	21pcs
C		Ø8x25	12pcs
D		Ø4x25	2pcs
E		Ø4x45	6pcs
F			1pc
G		M4 x 35	1pc
H		Ø22	15pcs
I		Ø25	4pcs
J			1pc
K		Ø3.5x12	2pcs
L		Glue: For securing please apply to wood dowel first before inserting into panel	1pc

ASSEMBLY INSTRUCTION

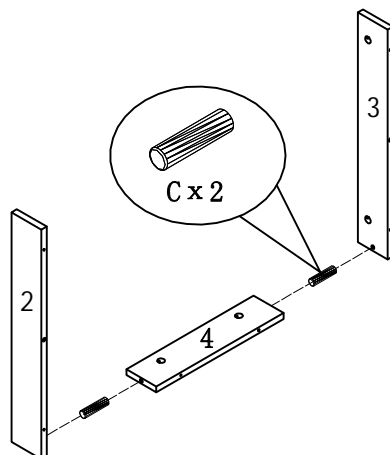
ITEM#: 202724

HOW TO	1	2	3	4
 Cam Bolt  Cam Lock				 180°
	1. Screw Cam Bolt into panel.	2. Insert Cam Bolt into bolt hole of joining panel.	3. Insert Cam Lock. arrow facing bolt.	4. Gently turn Cam Lock clockwise to lock position.



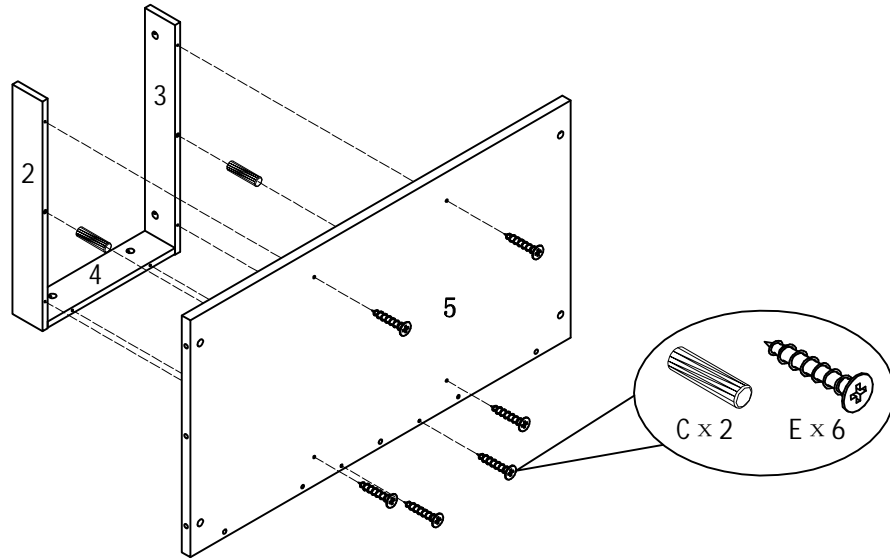
STEP1

STEP2



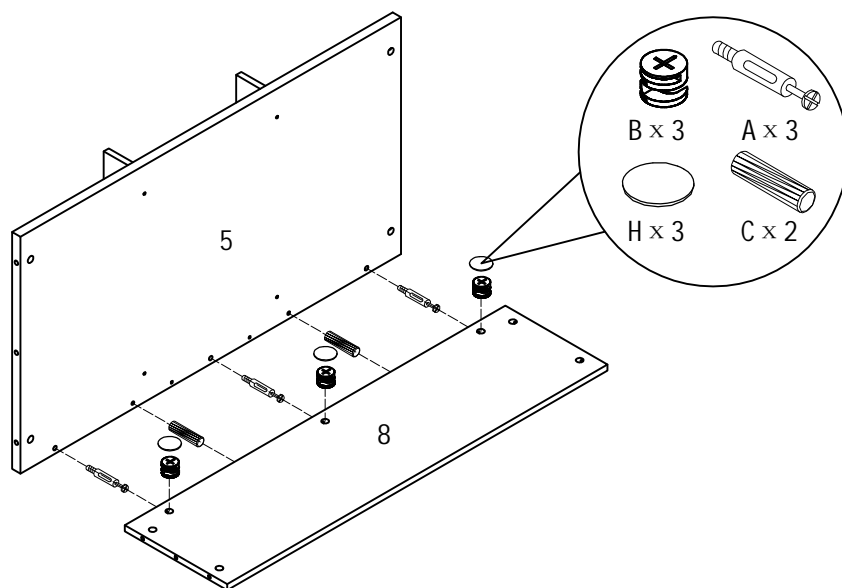
ASSEMBLY INSTRUCTION

ITEM#: 202724



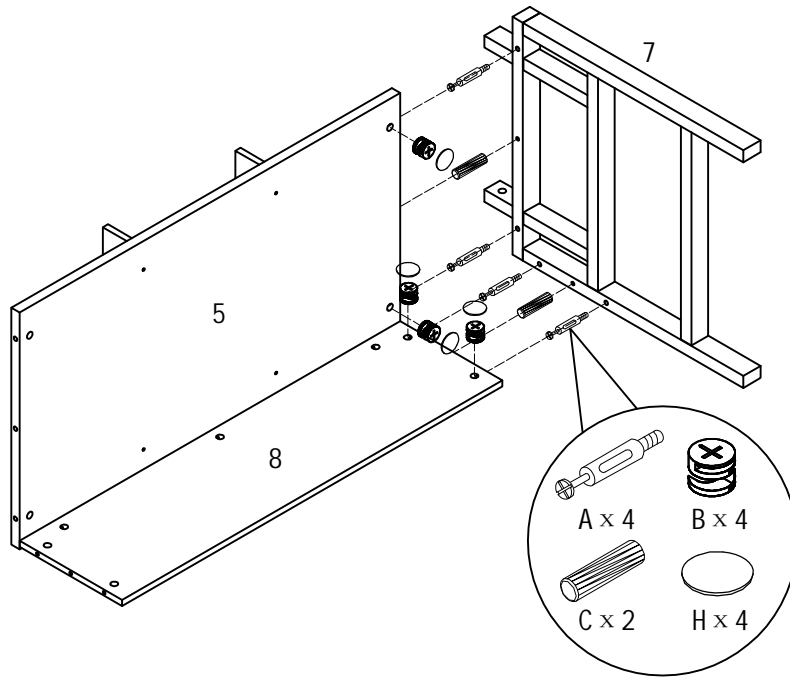
STEP3

STEP4



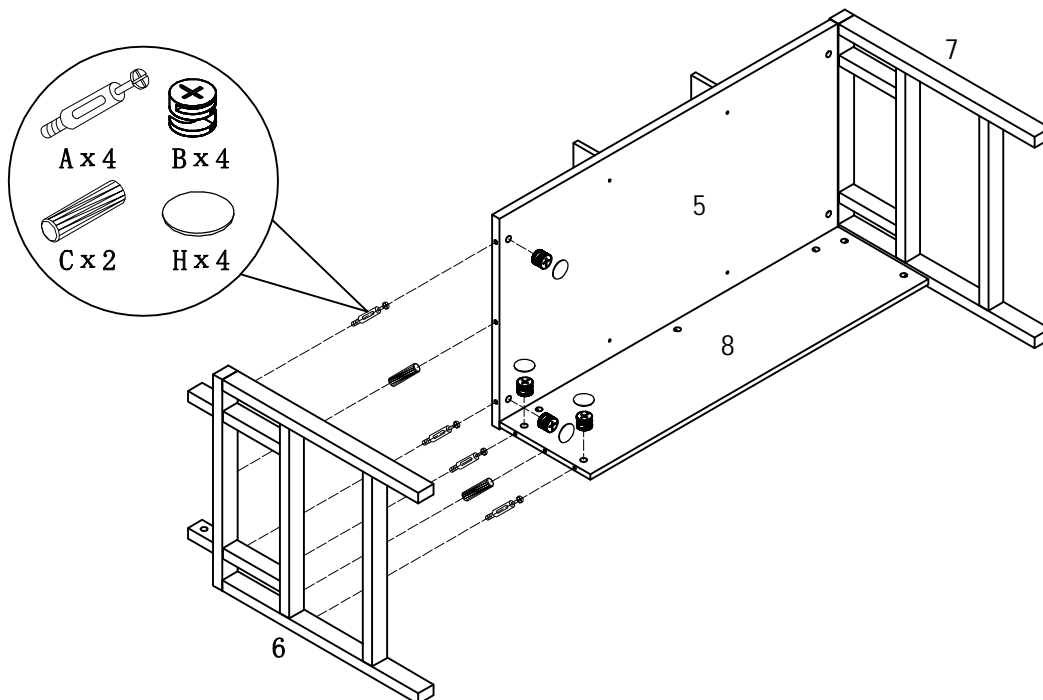
ASSEMBLY INSTRUCTION

ITEM#: 202724



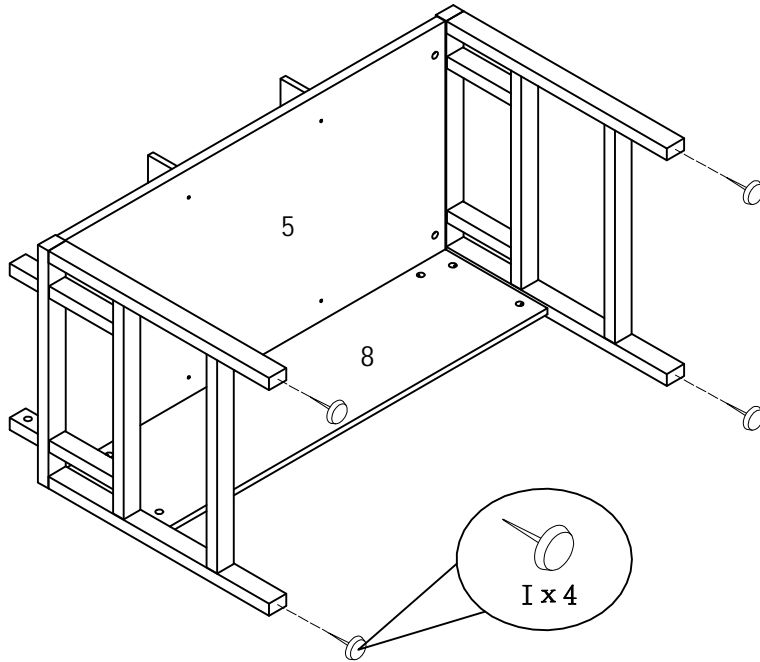
STEP5

STEP6



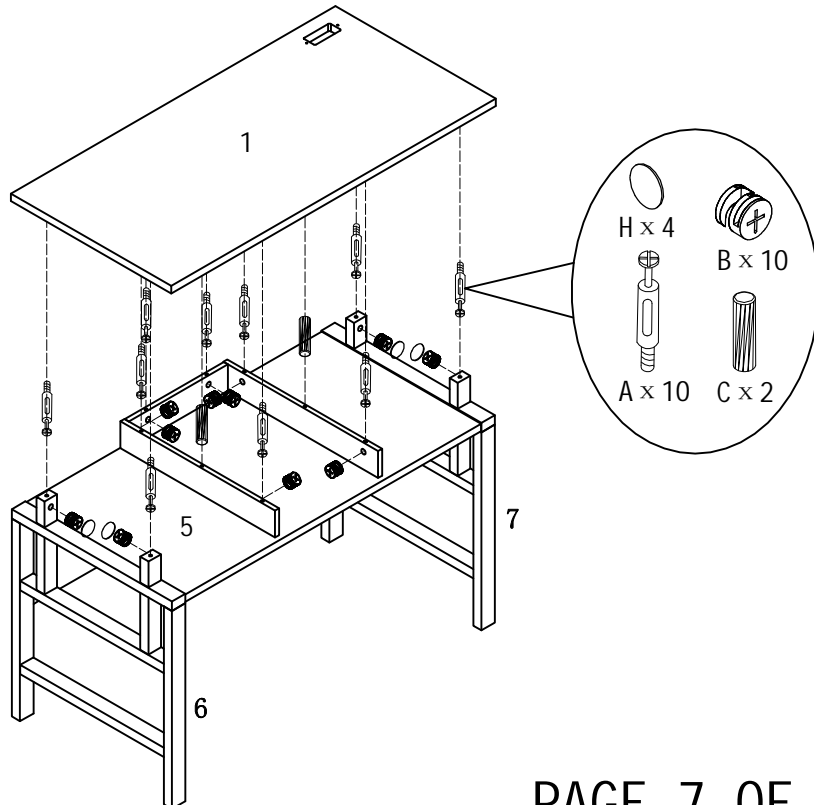
ASSEMBLY INSTRUCTION

ITEM#: 202724



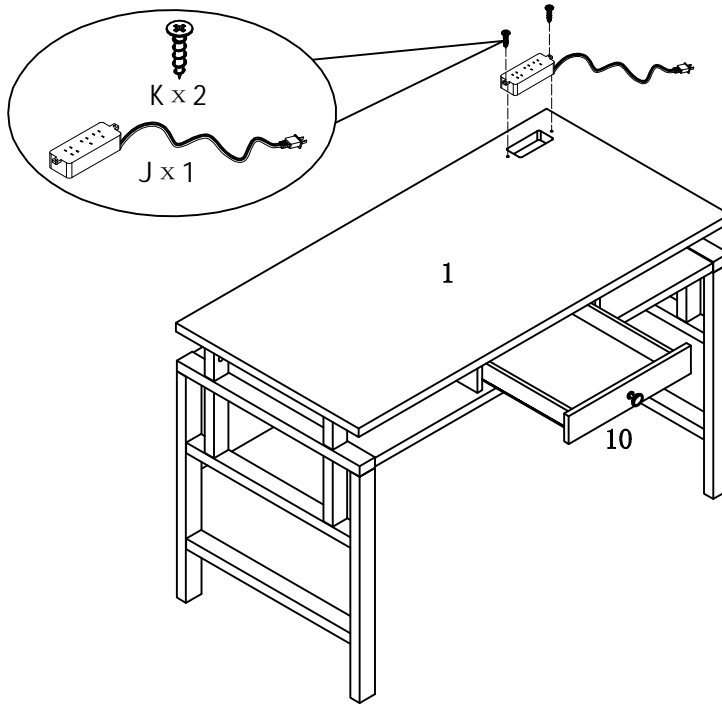
STEP 7

STEP 8



ASSEMBLY INSTRUCTION

ITEM#: 202724



STEP9

STEP10

