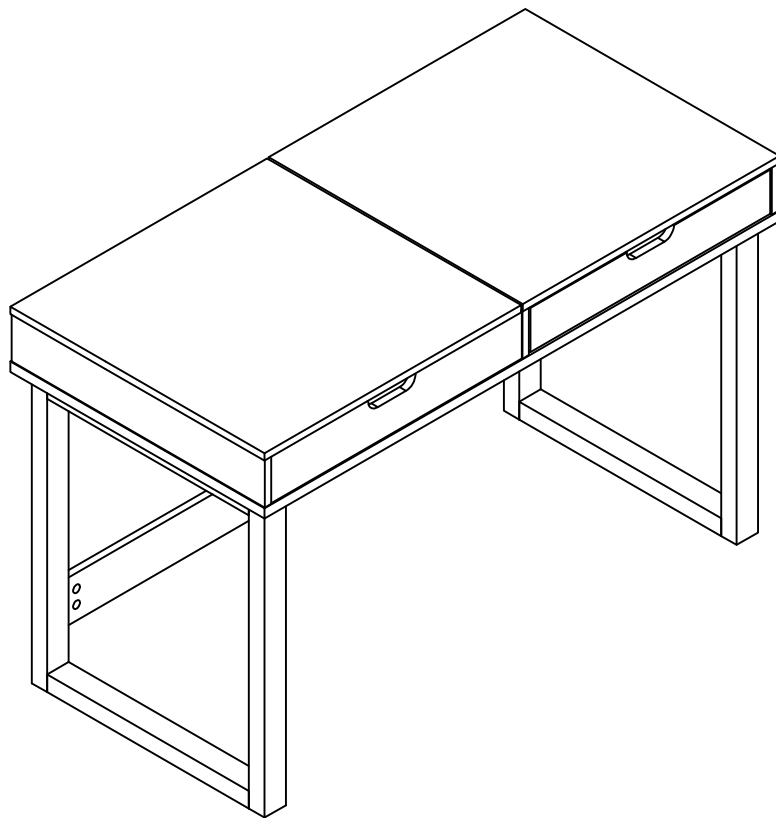


ASSEMBLY INSTRUCTION

ITEM#: 192477



ASSEMBLY INSTRUCTION

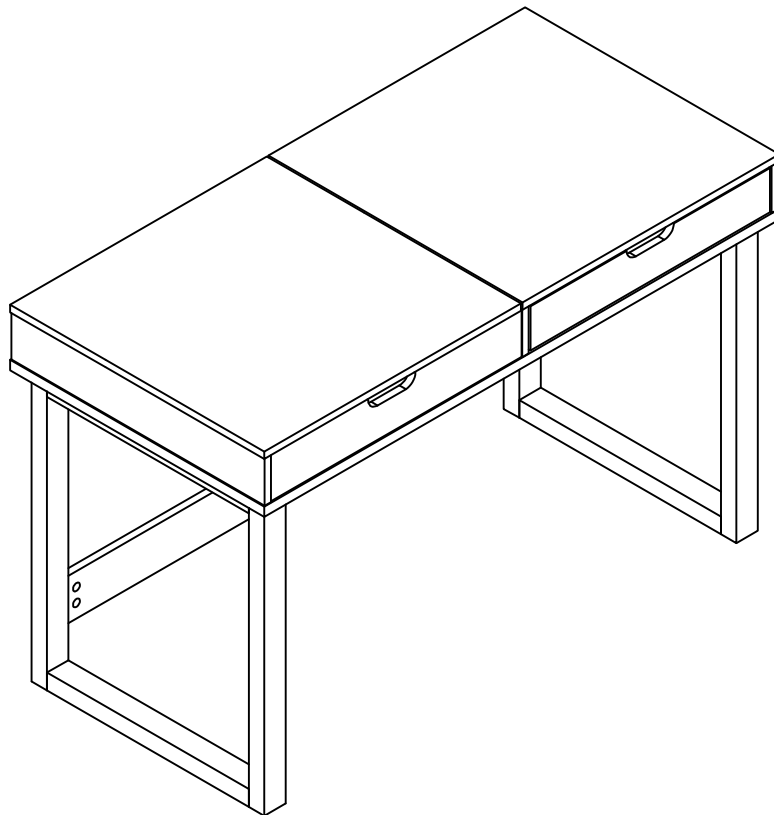
PLEASE READ BEFORE ASSEMBLING!

Tip #1: Make sure you've taken all the pieces and hardware out of its packaging before discarding the box. Assembly on top of flattened box/blanket is recommended.

Tip #2: Using page 2 and/or page 3 of instruction manual make sure all pieces and hardware are accounted for.

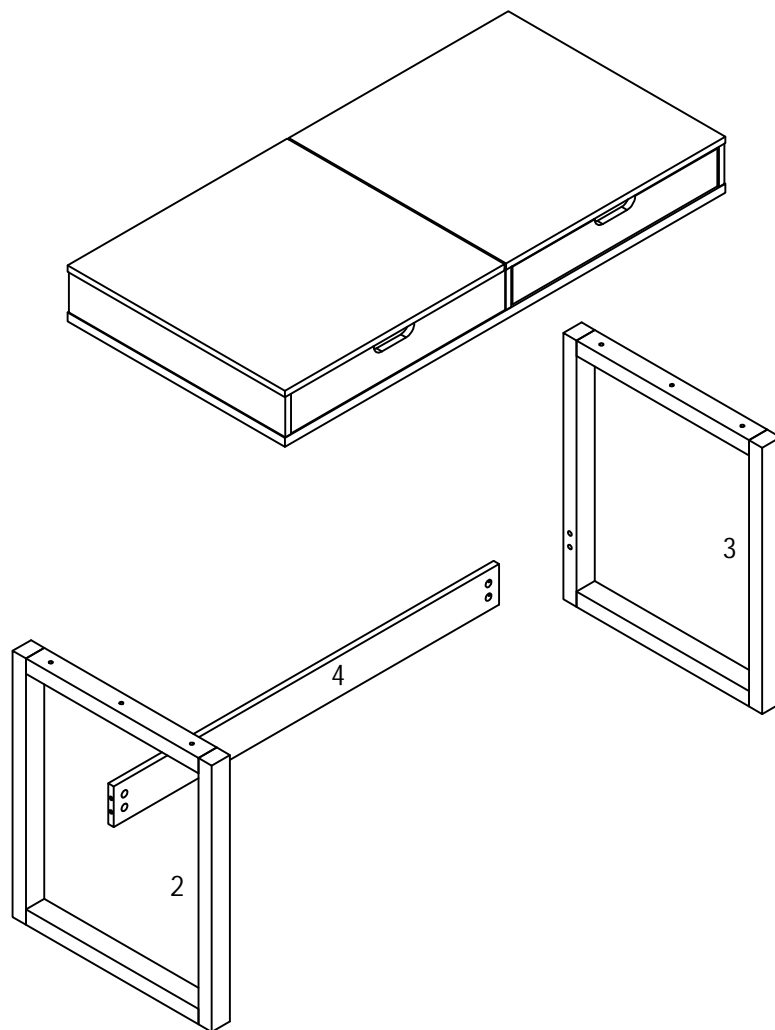
Tip #3: Note position of all holes on each panel during assembly.

ITEM#: 192477



PARTS IDENTIFICATION

ITEM#: 192477



- (1) 1pc
- (2) 1pc
- (3) 1pc
- (4) 1pc

HARDWARE IDENTIFICATION

ITEM#: 192477

A
B
C
D
E
F
G
H
I



L29

4pcs



ø15

4pcs



ø8x25

2pcs



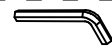
M8x50

4pcs



ø16xø8x2

4pcs



M5

1pc



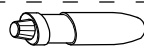
ø22

8pcs



ø16

4pcs

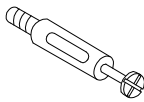

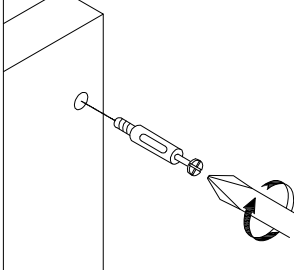
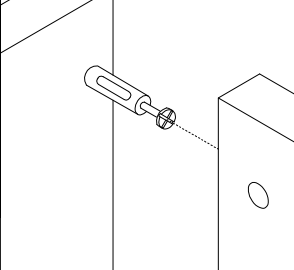
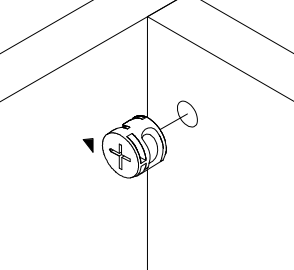
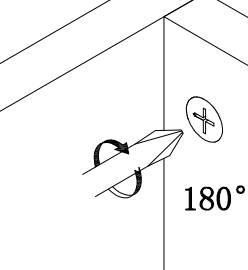


Glue: For securing please apply to wood dowel first before inserting into panel

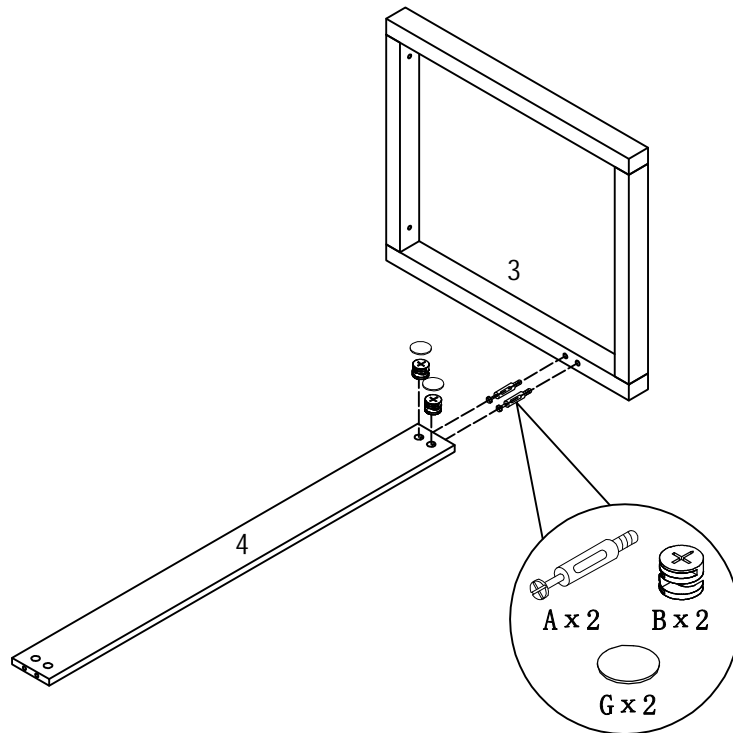
1pc

ASSEMBLY INSTRUCTION

ITEM#: 192477

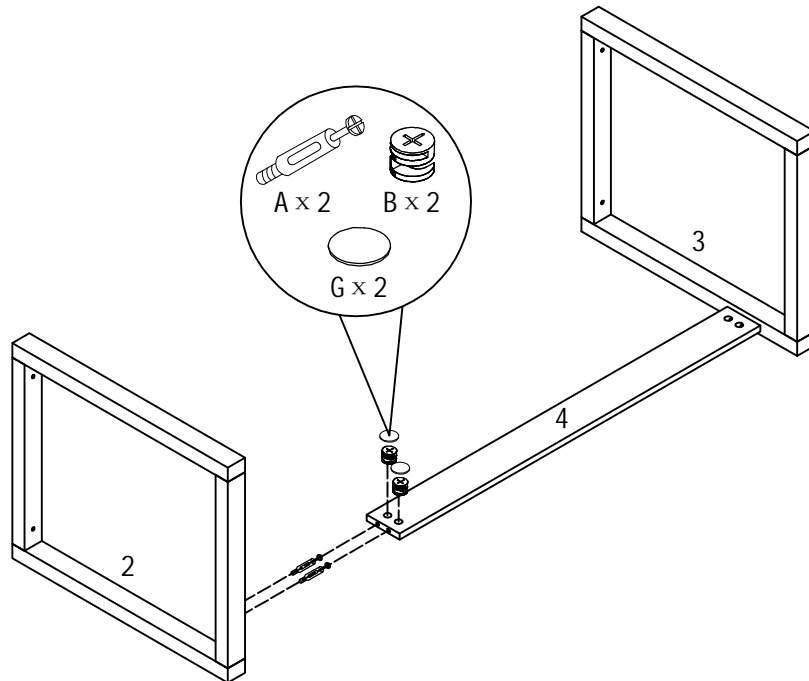
| HOW TO | 1 | 2 | 3 | 4 |
|------------------------------------------------------------------------------------------------------------------------------------------------------------------------------------------------|-----------------------------------------------------------------------------------|-----------------------------------------------------------------------------------|------------------------------------------------------------------------------------|---------------------------------------------------------------------------------------------|
|  Cam Bolt  Cam Lock |  |  |  |  180° |
| | 1. Screw Cam Bolt into panel. | 2. Insert Cam Bolt into bolt hole of joining panel. | 3. Insert Cam Lock. arrow facing bolt. | 4. Gently turn Cam Lock clockwise to lock position. |

STEP 1



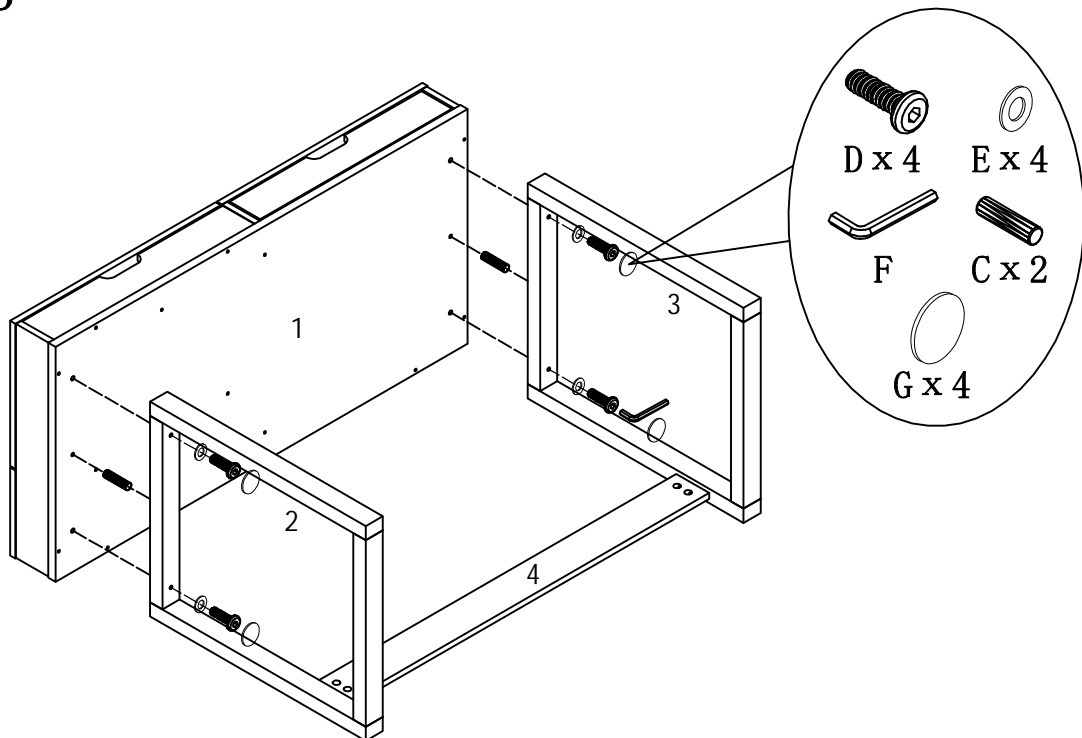
ASSEMBLY INSTRUCTION

ITEM#: 192477



STEP 2

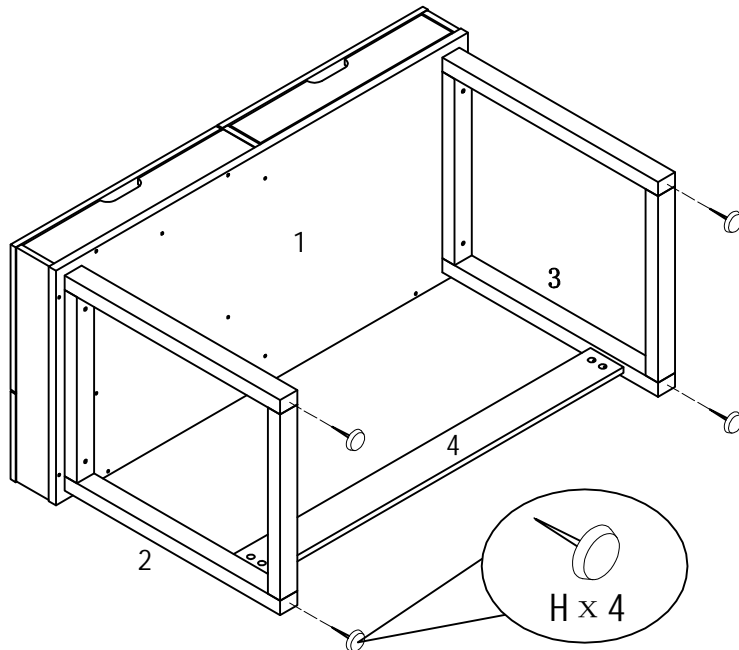
STEP 3



PAGE 5 OF 6

ASSEMBLY INSTRUCTION

ITEM#: 192477



STEP 4

STEP 5

