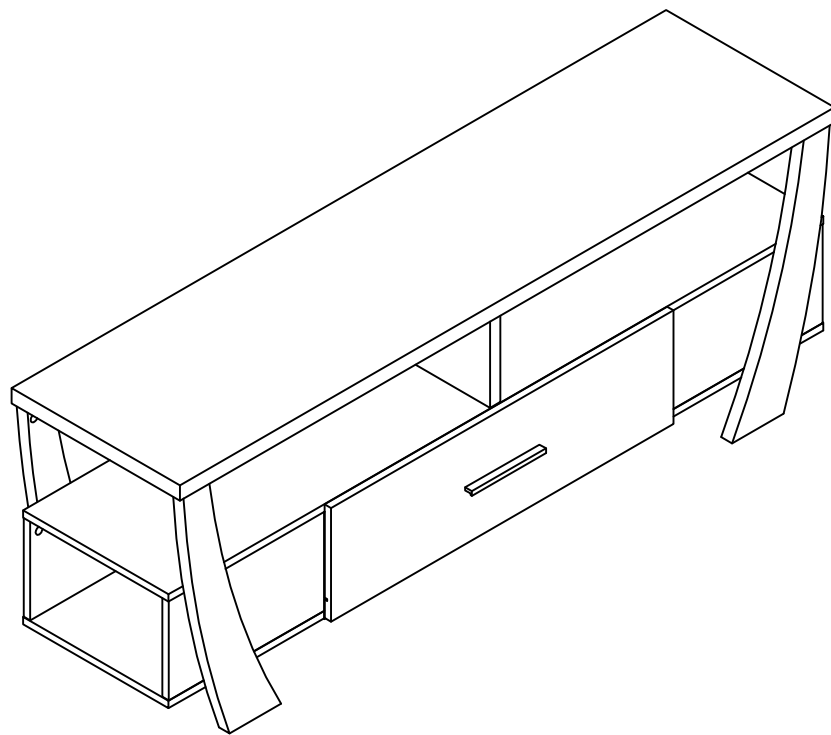


# ASSEMBLY INSTRUCTION

---

ITEM#: 182316



# ASSEMBLY INSTRUCTION

---

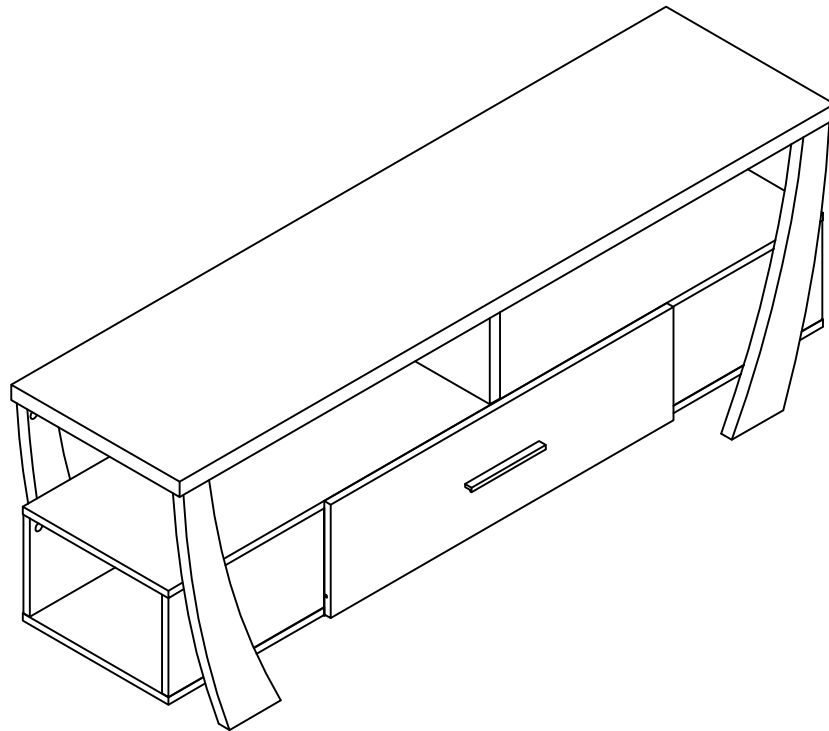
## PLEASE READ BEFORE ASSEMBLING!

Tip #1: Make sure you've taken all the pieces and hardware out of its packaging before discarding the box. Assembly on top of flattened box/blanket is recommended.

Tip #2: Using page 2 and/or page 3 of instruction manual make sure all pieces and hardware are accounted for.

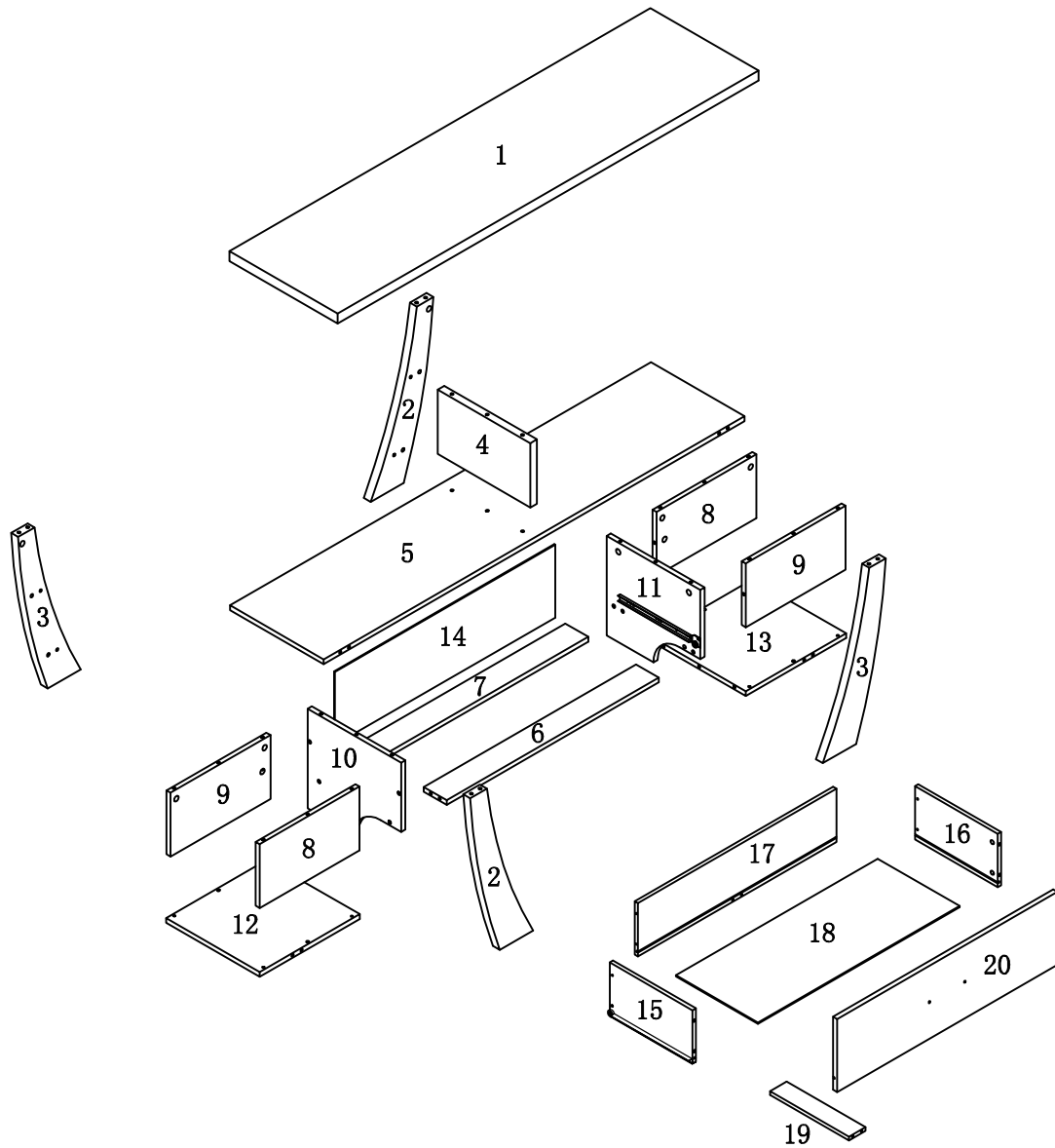
Tip #3: Note position of all holes on each panel during assembly.

ITEM#: 182316



# PARTS IDENTIFICATION

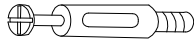

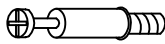



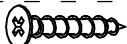
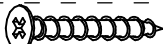
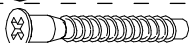

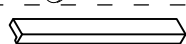
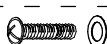




ITEM#: 182316



(1)	1pc	(6)	1pc	(11)	1pc	(16)	1pc
(2)	2pcs	(7)	1pc	(12)	1pc	(17)	1pc
(3)	2pcs	(8)	2pcs	(13)	1pc	(18)	1pc
(4)	1pc	(9)	2pcs	(14)	1pc	(19)	1pc
(5)	1pc	(10)	1pc	(15)	1pc	(20)	1pc

# HARDWARE IDENTIFICATION

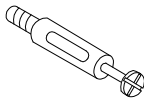
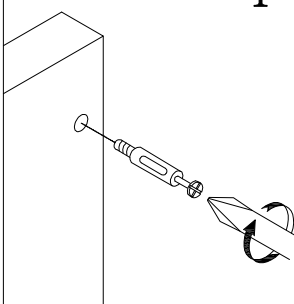
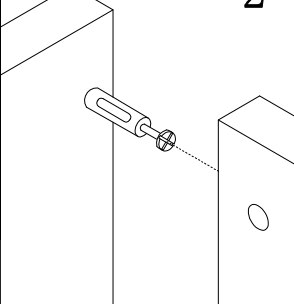
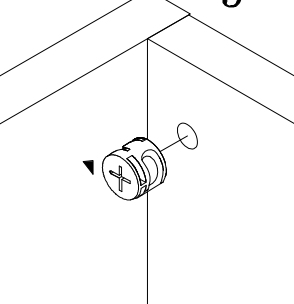
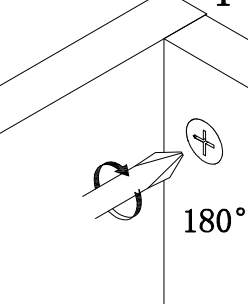

ITEM#: 182316

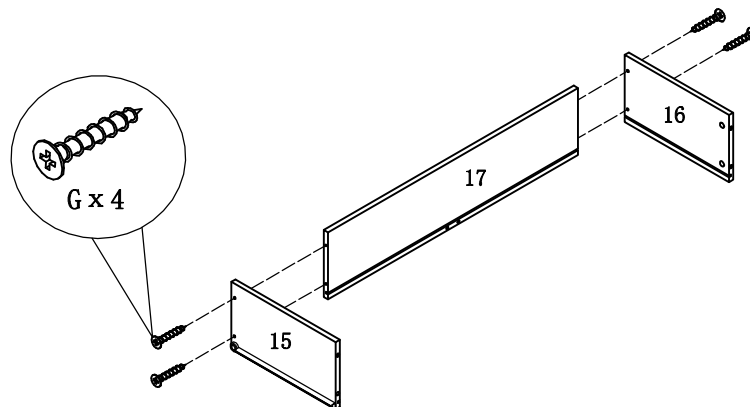
A		L29	42pcs
B		ø15	42pcs
C		L20	4pcs
D		ø12	4pcs
E		ø8x25	26pcs
F		ø6x30	2pcs
G		ø4x30	6pcs
H		ø4x35	8pcs
I		ø7x38	2pcs
J		ø16xø8x2	2pcs
K			1pc
L		M4x22	2pcs
M		ø22	24pcs
N		ø16	6pcs
O			22pcs
P			1pc

Glue: For securing please apply to wood dowel first before inserting into panel

# ASSEMBLY INSTRUCTION

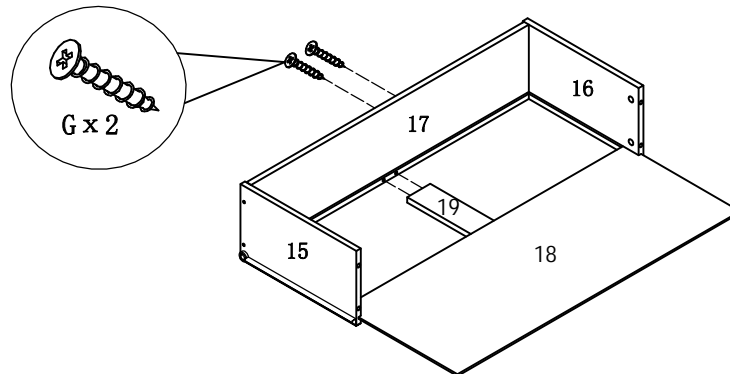
ITEM#: 182316

HOW TO	1	2	3	4
 Cam Bolt				
 Cam Lock	1. Screw Cam Bolt into panel.	2. Insert Cam Bolt into bolt hole of joining panel.	3. Insert Cam Lock. arrow facing bolt.	4. Gently turn Cam Lock clockwise to lock position.



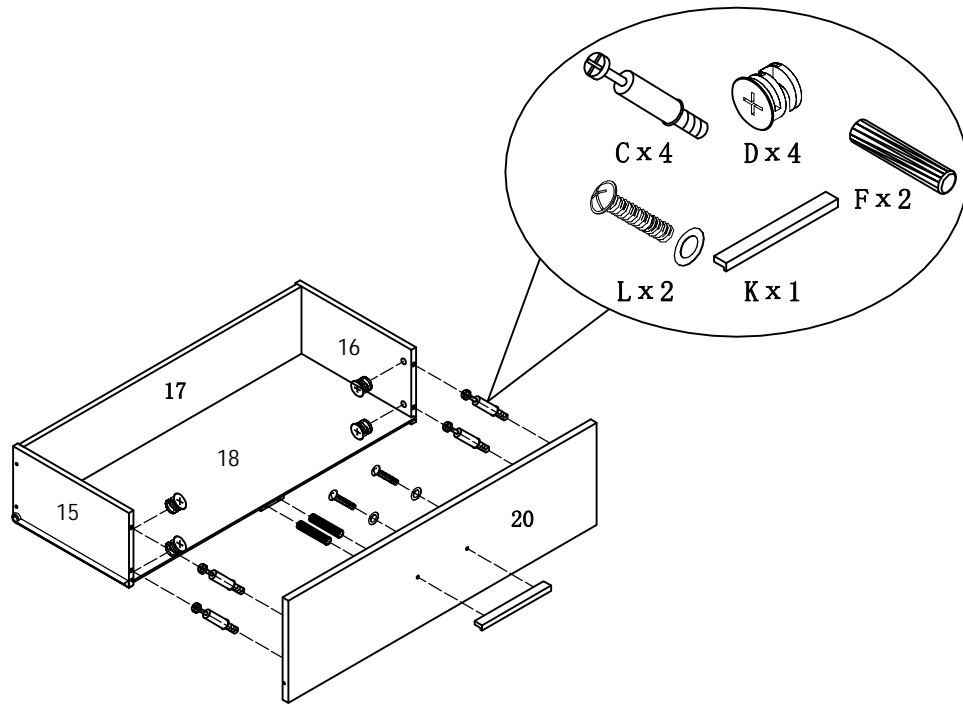
STEP1

STEP2



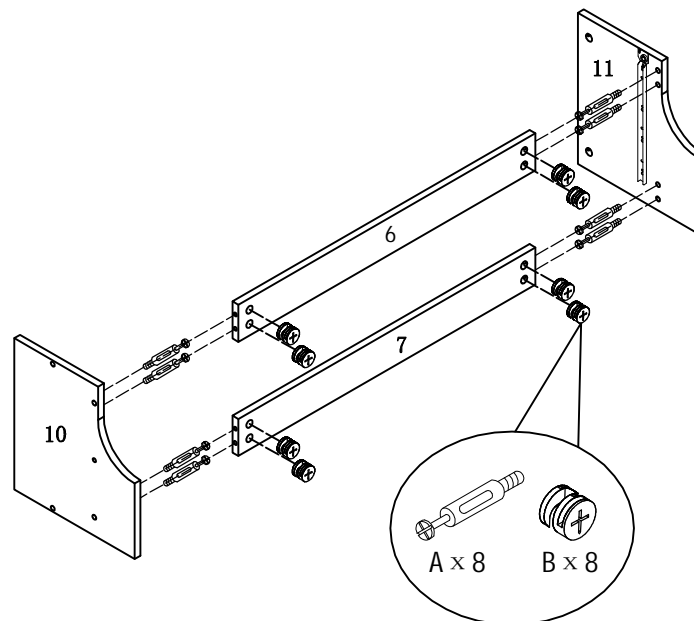
# ASSEMBLY INSTRUCTION

ITEM#: 182316



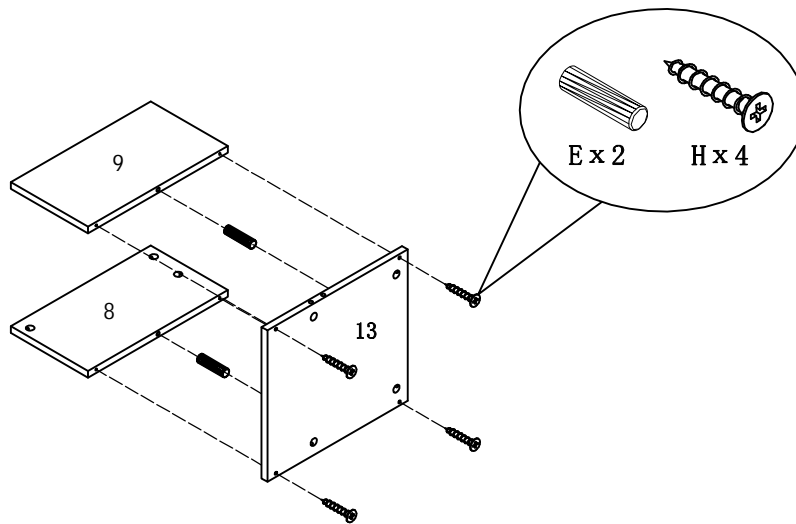
STEP3

STEP4



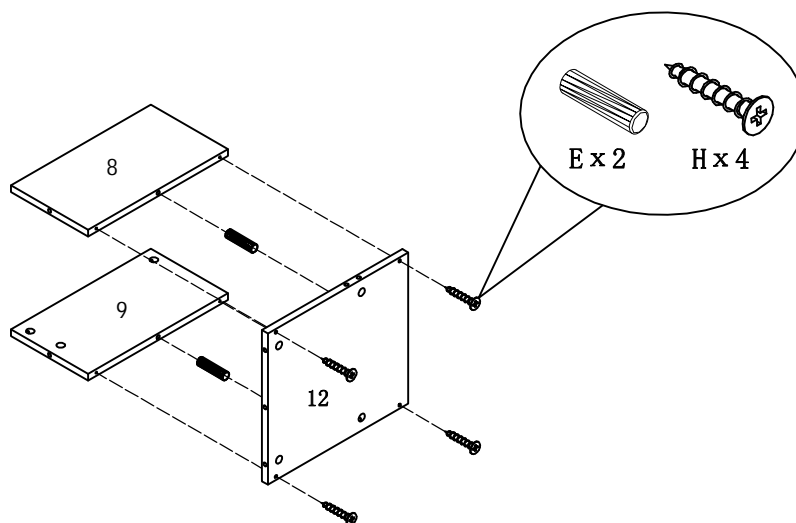
# ASSEMBLY INSTRUCTION

ITEM#: 182316



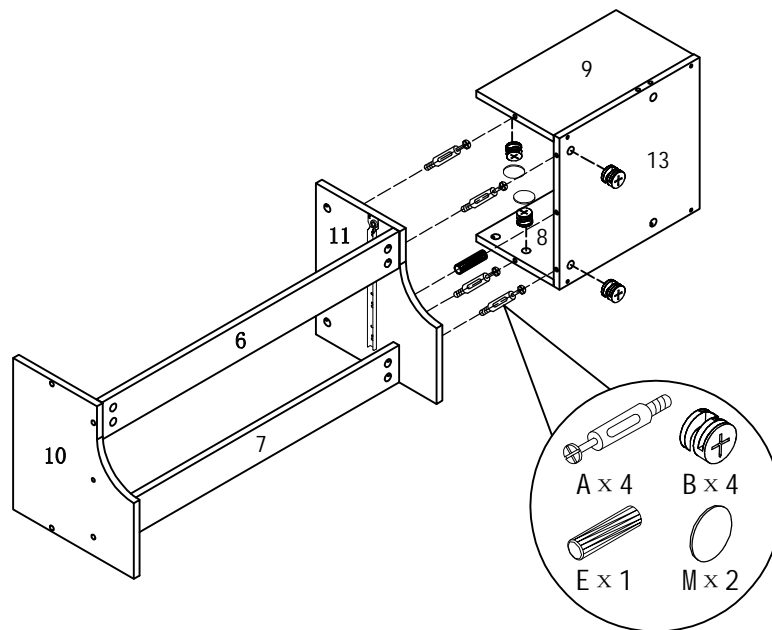
STEP5

STEP6



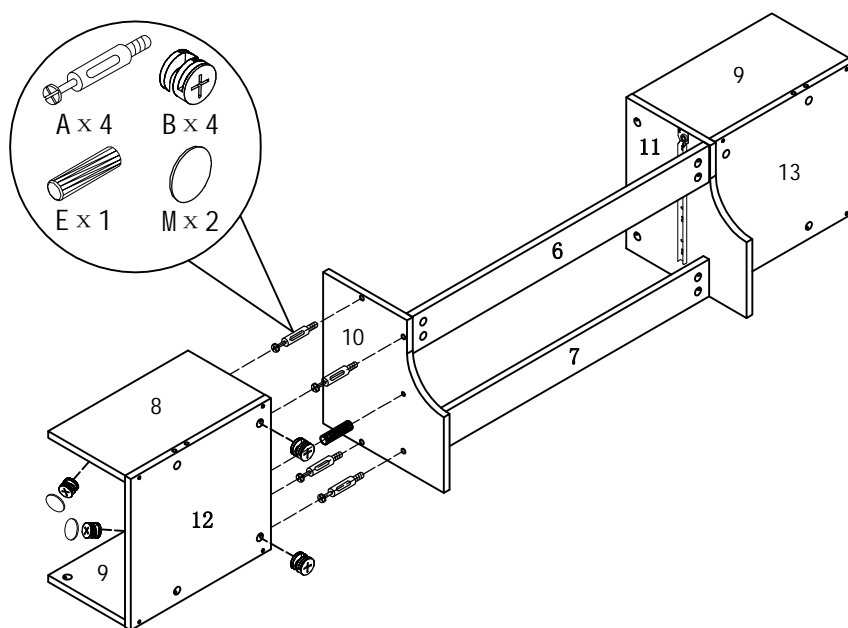
# ASSEMBLY INSTRUCTION

ITEM#: 182316



STEP 7

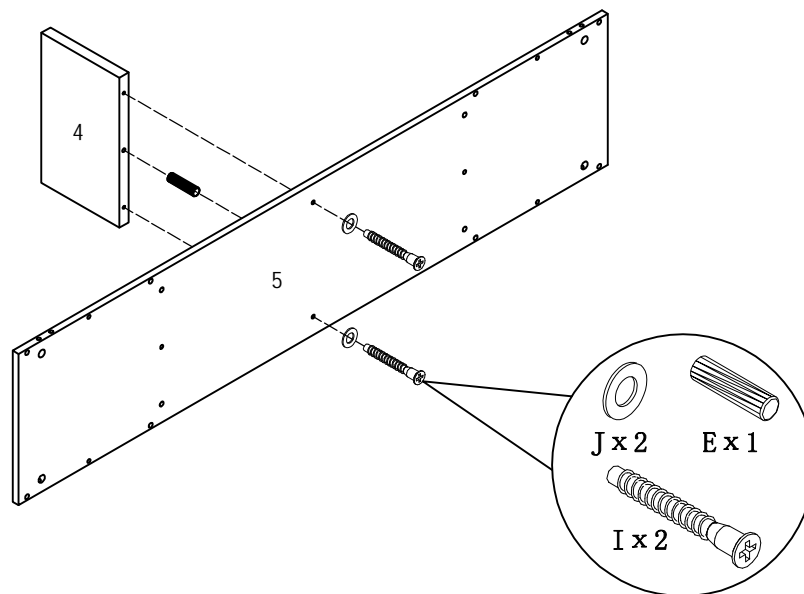
STEP 8





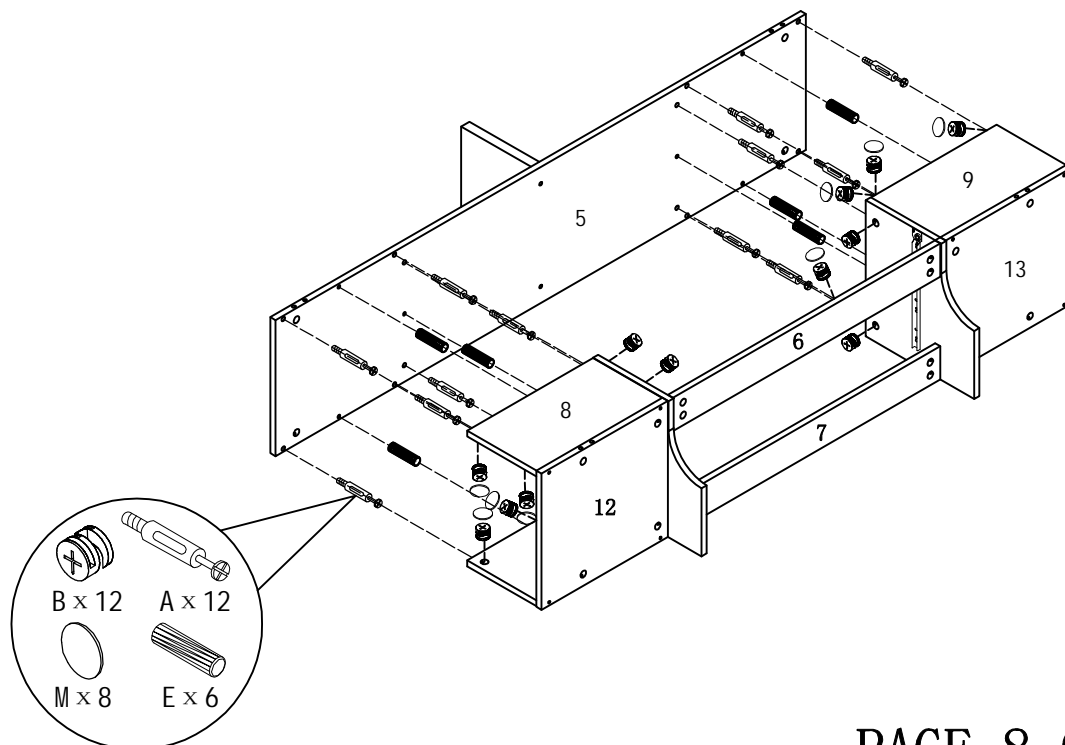
# ASSEMBLY INSTRUCTION

ITEM#: 182316



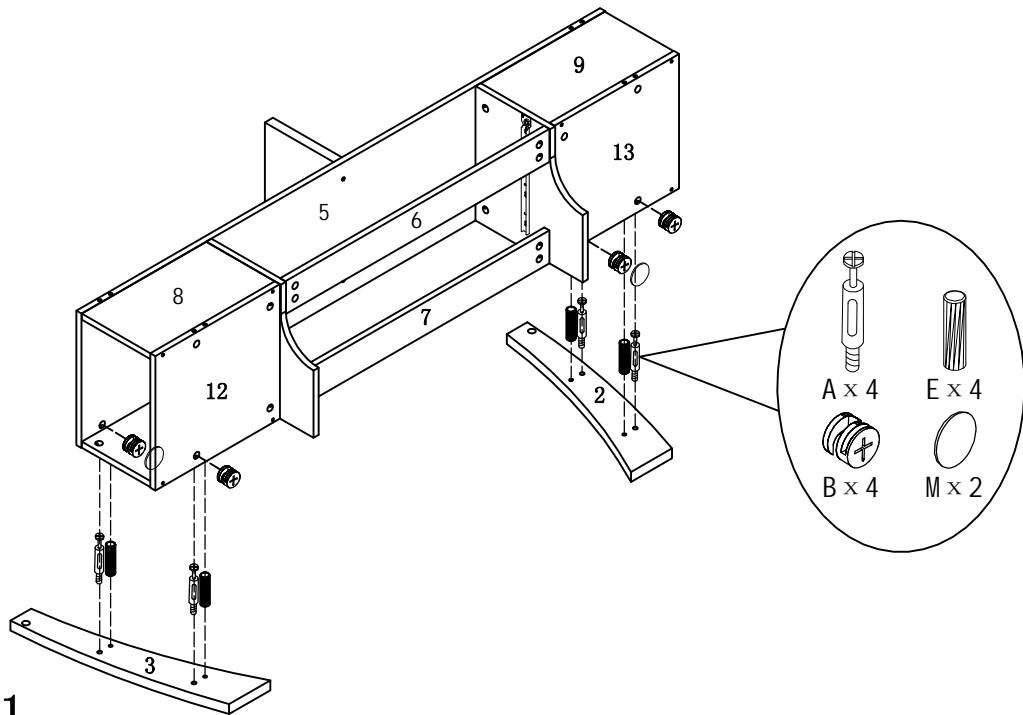
STEP9

STEP10



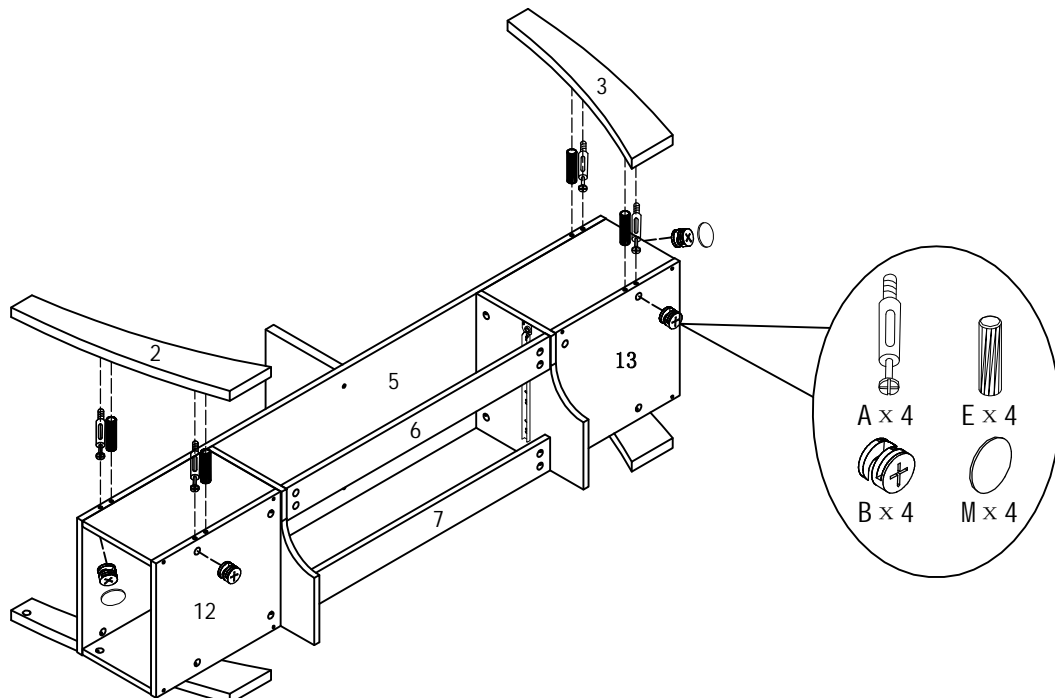
# ASSEMBLY INSTRUCTION

ITEM#: 182316



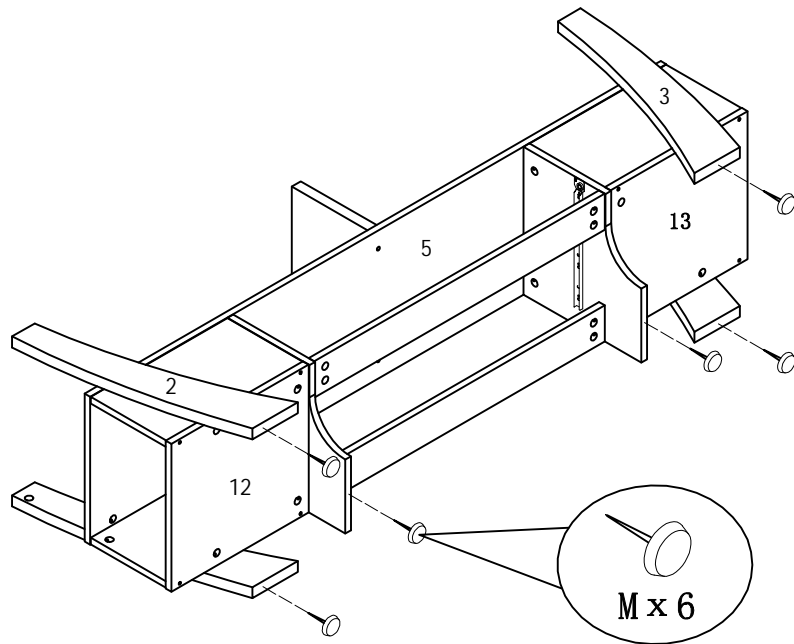
STEP11

STEP12



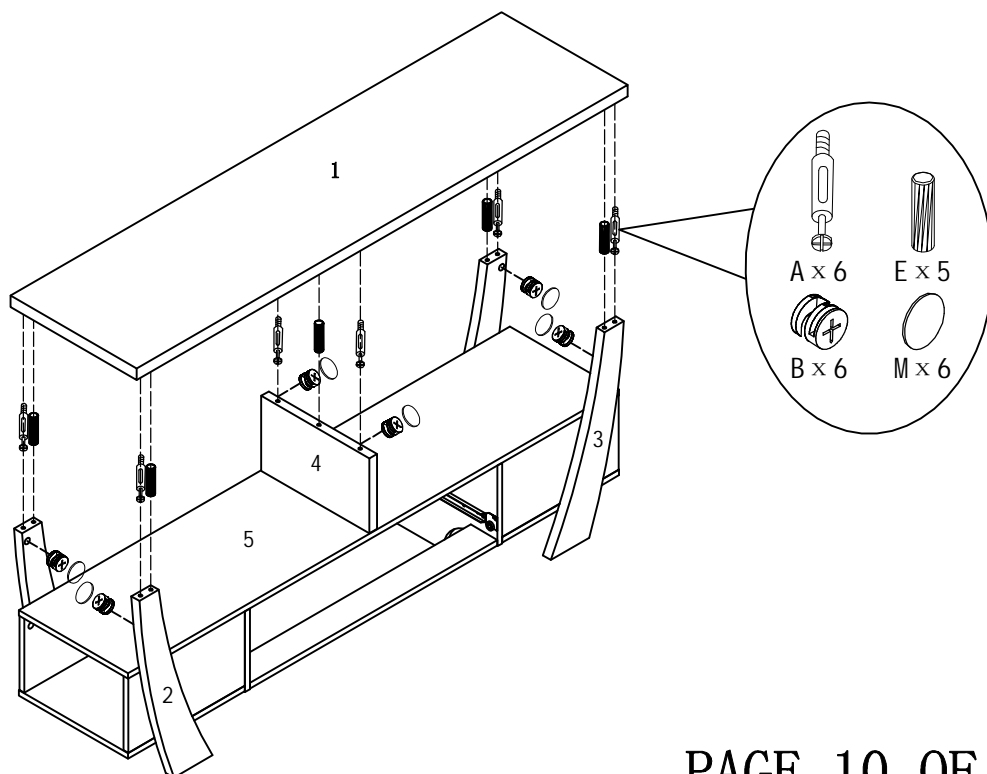
# ASSEMBLY INSTRUCTION

ITEM#: 182316



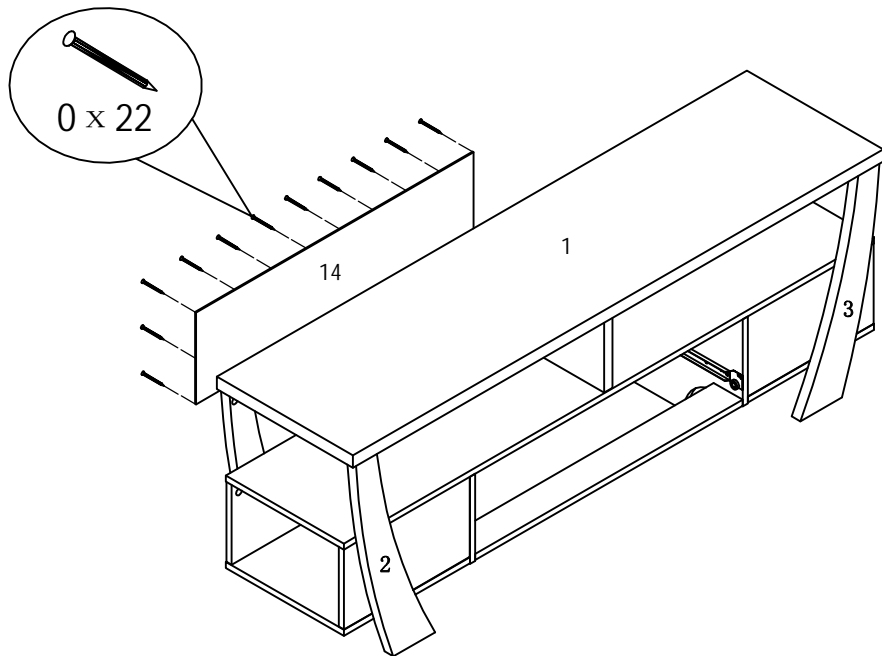
STEP13

STEP14



# ASSEMBLY INSTRUCTION

ITEM#: 182316



STEP15

STEP16

