

# ASSEMBLY INSTRUCTION

---

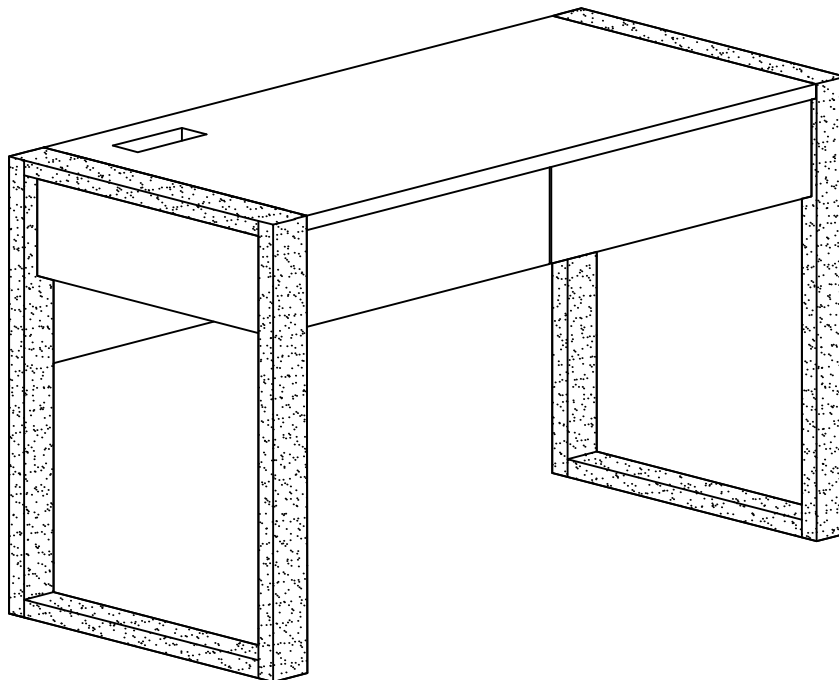
## PLEASE READ BEFORE ASSEMBLING!

Tip #1: Make sure you've taken all the pieces and hardware out of its packaging before discarding the box.

Tip #2: Using page 2 and/or page 3 of instruction manual make sure all pieces and hardware are accounted for.

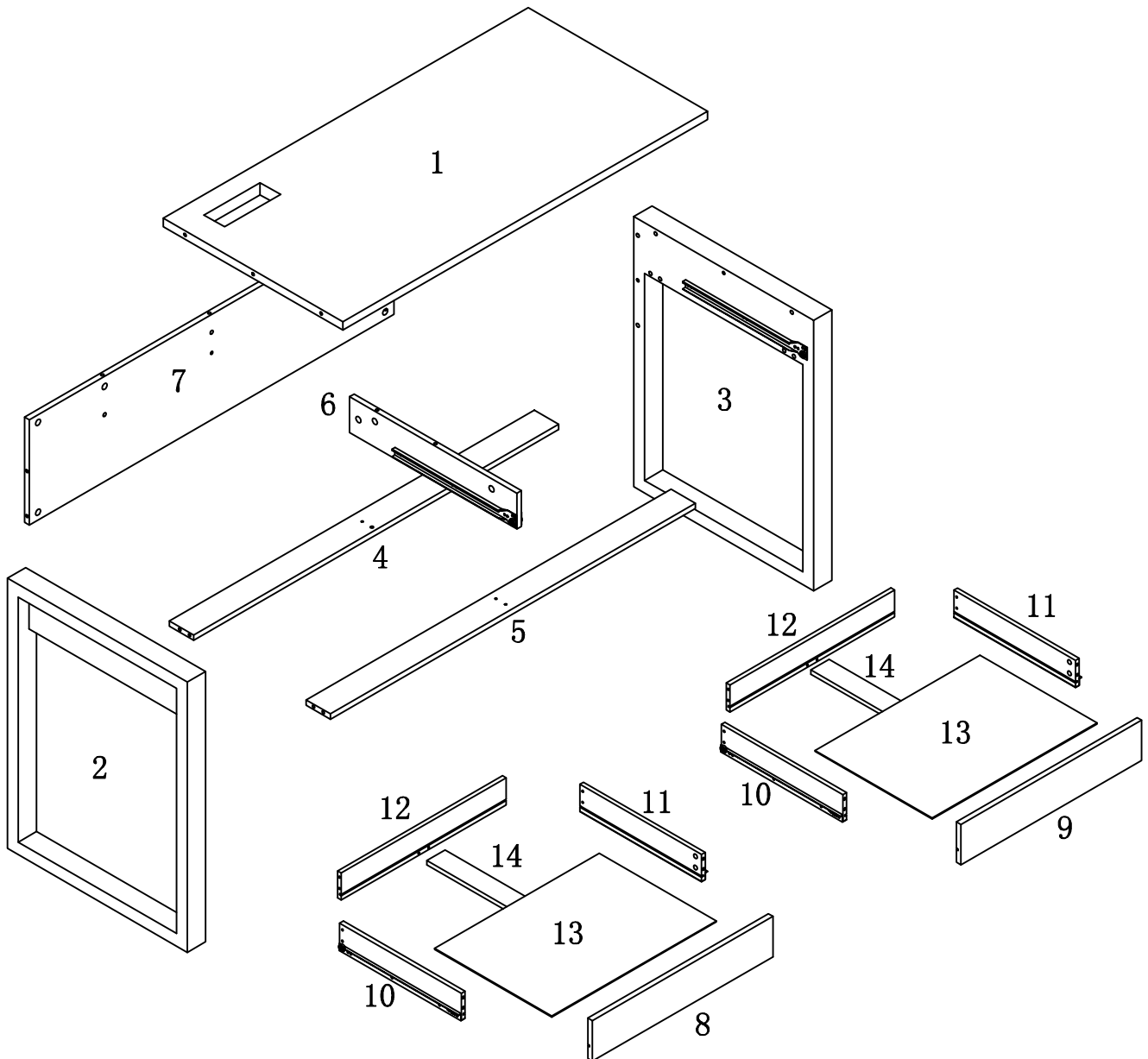
Tip #3: Read manual before assembling, it helps!

ITEM#: 182288 182289



# PARTS IDENTIFICATION



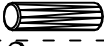
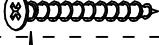

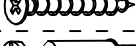
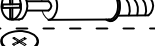

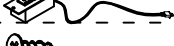


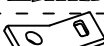
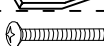
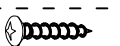


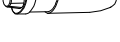
ITEM#: 182288 182289



(1)	1pc	(8)	1pc
(2)	1pc	(9)	1pc
(3)	1pc	(10)	2pcs
(4)	1pc	(11)	2pcs
(5)	1pc	(12)	2pcs
(6)	1pc	(13)	2pcs
(7)	1pc	(14)	2pcs

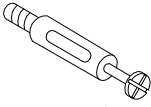

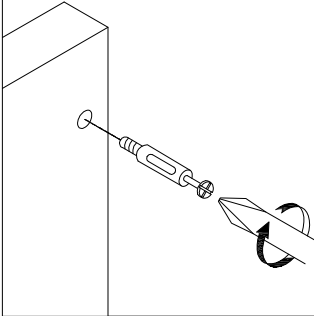
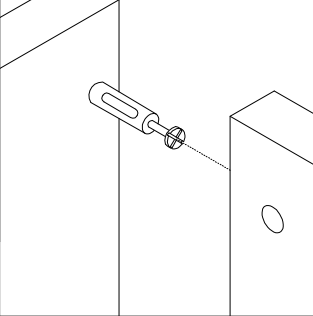
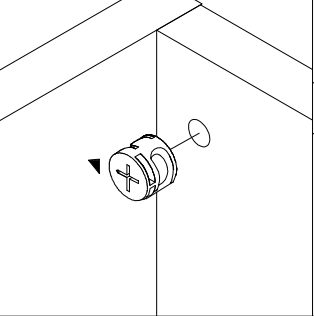
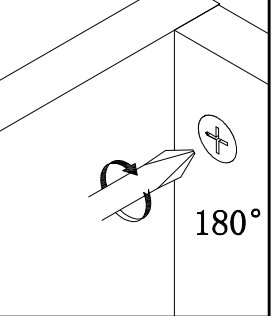
# HARDWARE IDENTIFICATION

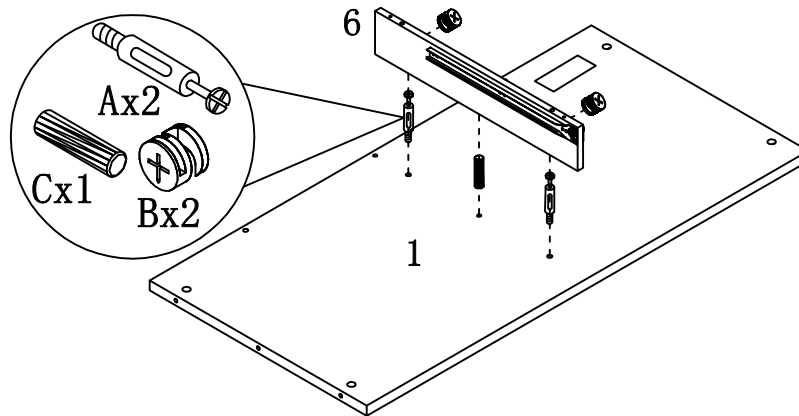
ITEM#: 182288 182289

A		L29	22pcs
B		$\phi$ 15	22pcs
C		$\phi$ 8 x 25	9pcs
D		$\phi$ 4 x 35	2pcs
E		$\phi$ 16	4pcs
F		$\phi$ 4 x 30	12pcs
G		L20	8pcs
H		$\phi$ 12	8pcs
I			1pc
J		$\phi$ 4 x 16	2pcs
K		$\phi$ 6 x 30	4pcs
L		$\phi$ 8x40	1pc
M		$\phi$ 12x12x1	2pcs
N		$\phi$ 5x40	1pc
O		$\phi$ 4x25	1pc
P		197x5x1	1pc
Q		Glue: For securing please apply to wood dowel first before inserting into panel	1pc

# ASSEMBLY INSTRUCTION

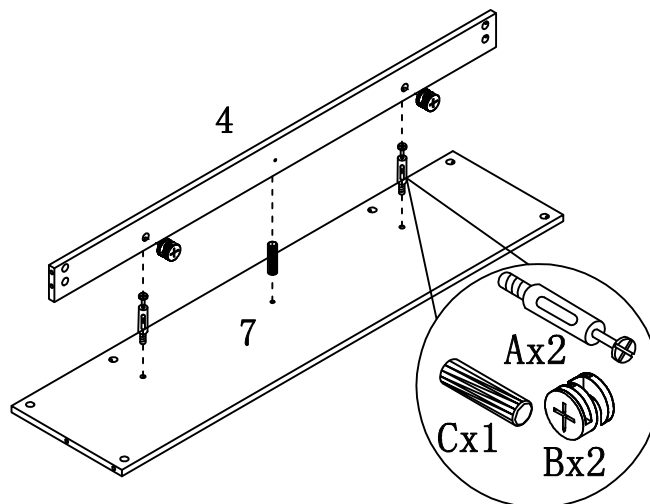
ITEM#: 182288 182289

<p>HOW TO</p>  <p>Cam Bolt</p>  <p>Cam Lock</p>	<p>1</p>  <p>1. Screw Cam Bolt into panel.</p>	<p>2</p>  <p>2. Insert Cam Bolt into bolt hole of joining panel.</p>	<p>3</p>  <p>3. Insert Cam Lock. arrow facing bolt.</p>	<p>4</p>  <p>4. Gently turn Cam Lock clockwise to lock position.</p>
---	---	---	---	---



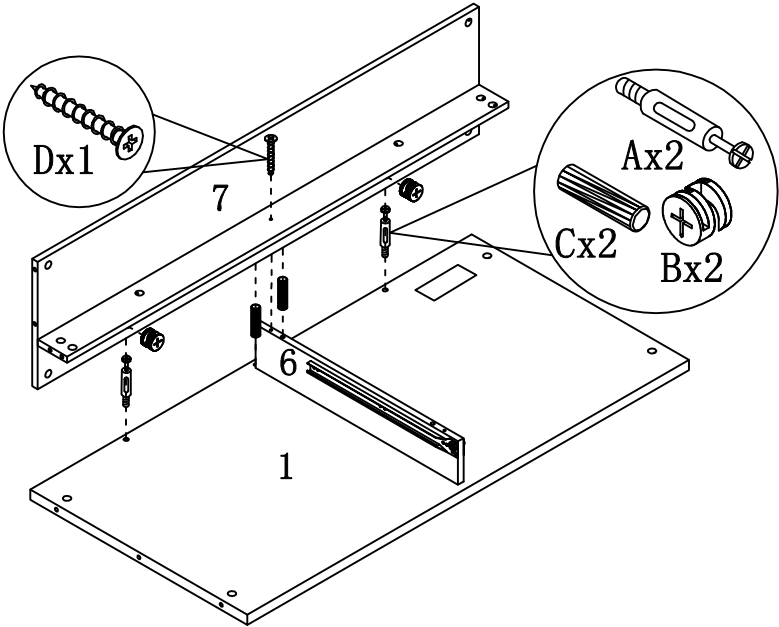
STEP 1

STEP 2



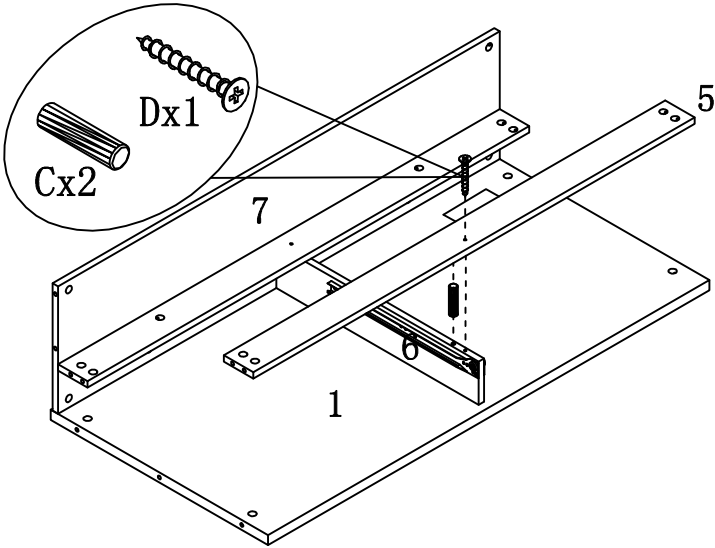
# ASSEMBLY INSTRUCTION

ITEM#: 182288 182289



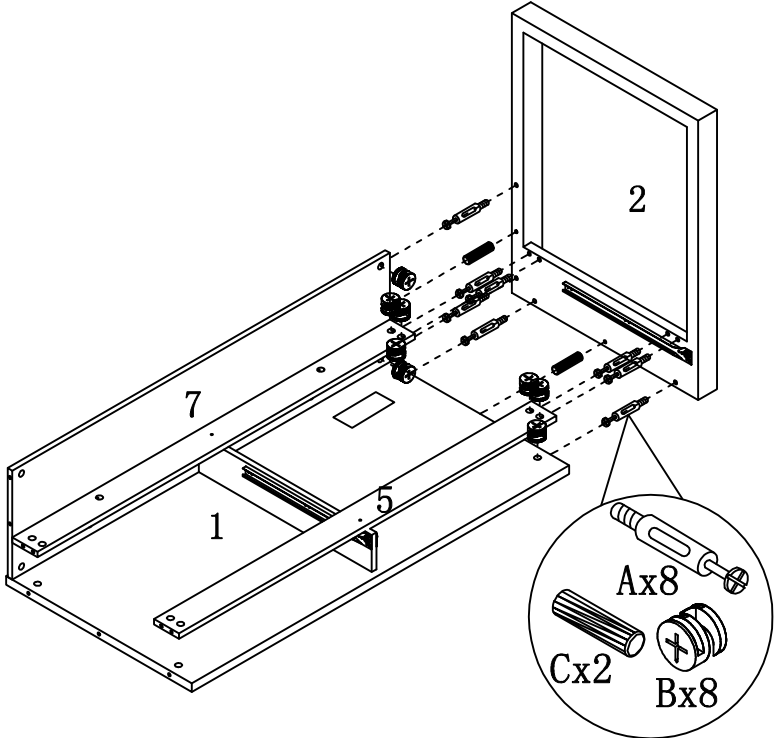
STEP3

STEP4



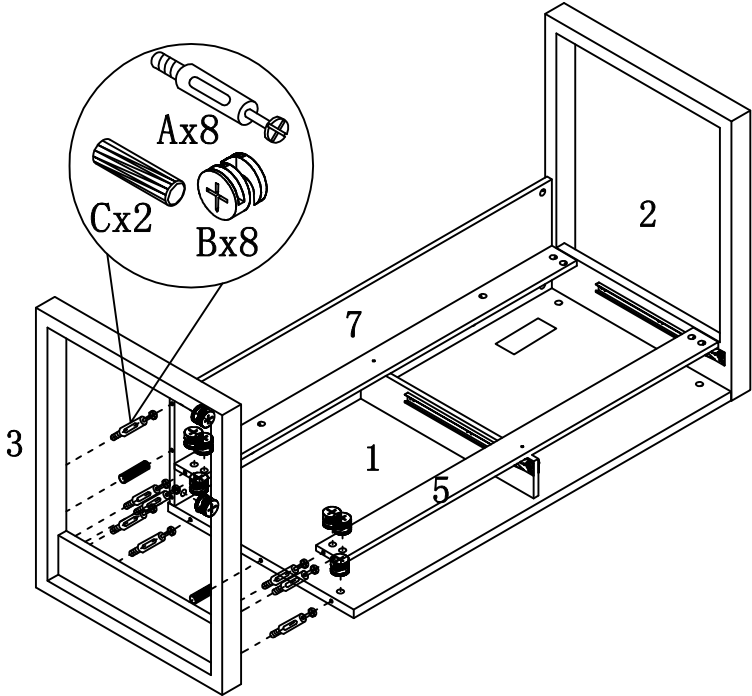
# ASSEMBLY INSTRUCTION

ITEM#: 182288 182289



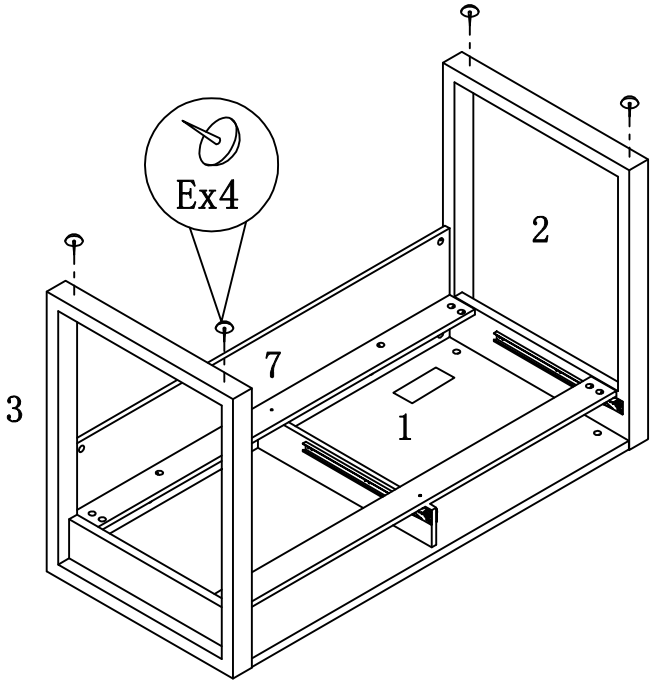
STEP5

STEP6



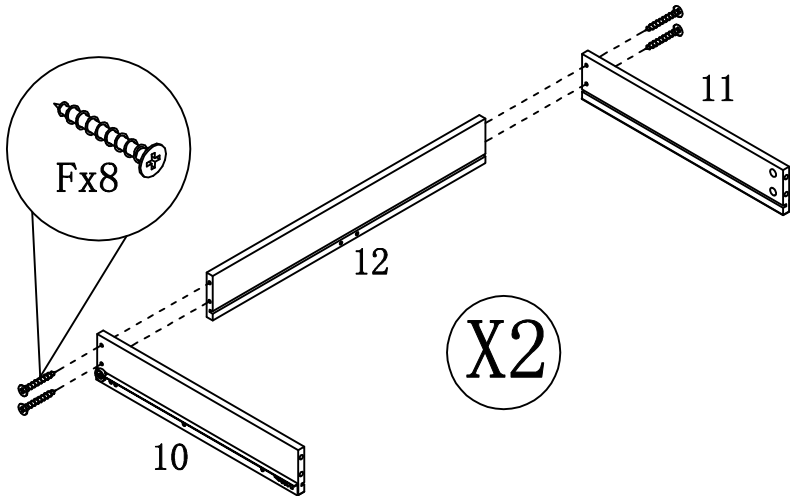
# ASSEMBLY INSTRUCTION

ITEM#: 182288 182289



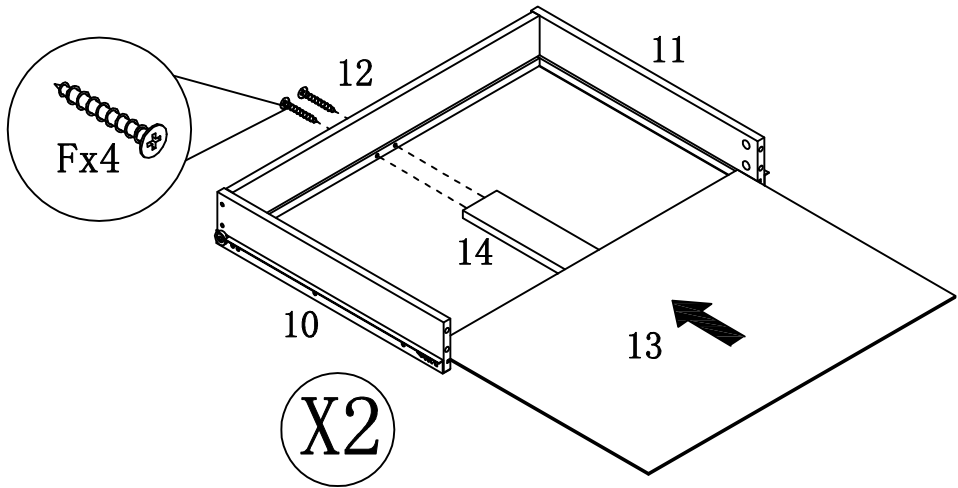
STEP7

STEP8



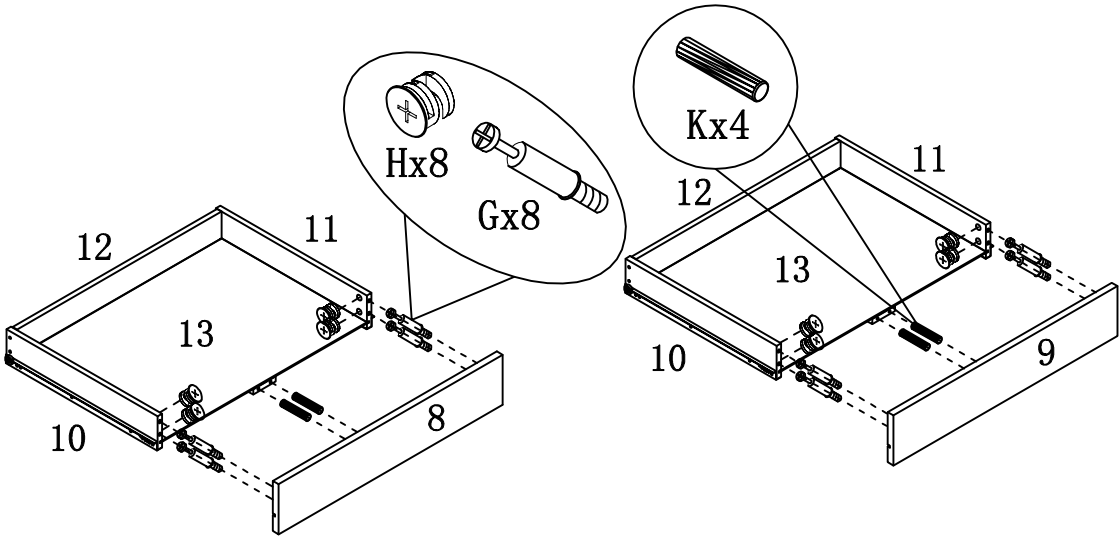
# ASSEMBLY INSTRUCTION

ITEM#: 182288 182289



STEP9

STEP10

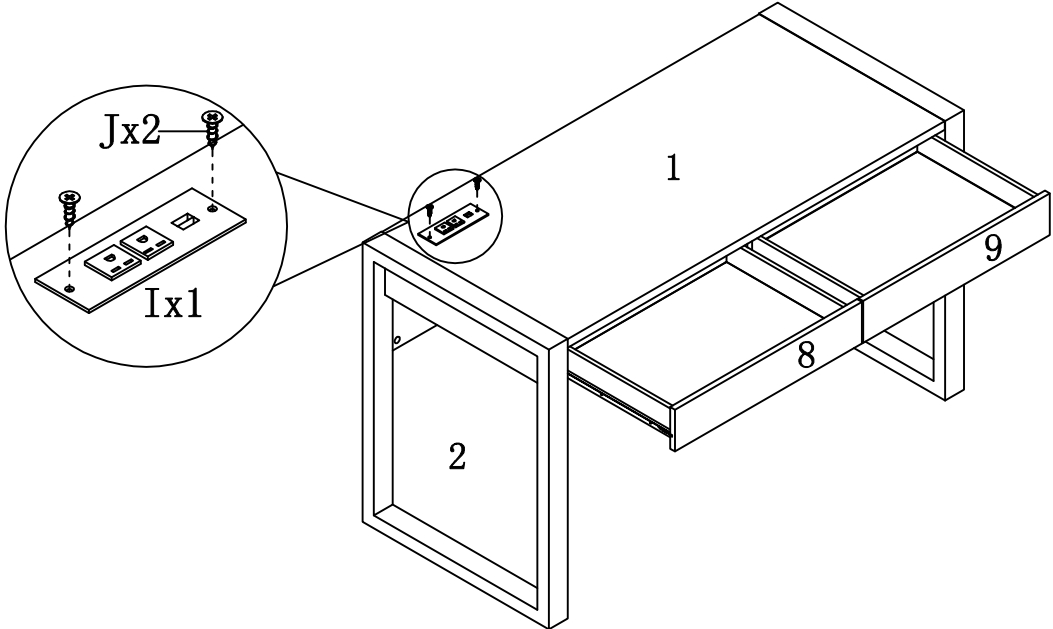




# ASSEMBLY INSTRUCTION

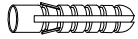
ITEM#: 182288 182289

## STEP 11

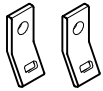


# ANTI-TIPPING STRAP INSTRUCTION

## HARDWARE (INCLUDED) :



DRYWALL ANCHOR  $\phi 8 \times 40$  X 1PC



METAL BRACKETS  $12 \times 12 \times 1$  X 2PCS



DRYWALL SCREW  $\phi 5 \times 40$  X 1PC

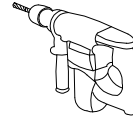


STRAP  $197 \times 5 \times 1$  X 1PC



FLATHEAD SCREW  $\phi 4 \times 25$  X 1PC

## TOOLS NEEDED ( NOT INCLUDED) :



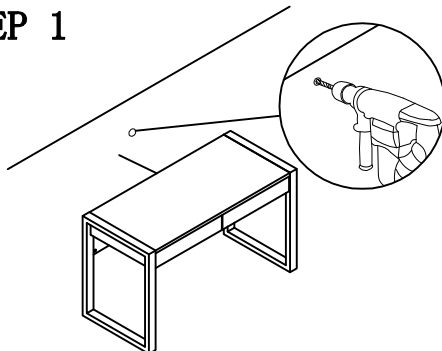
DRILL & DRILL BIT



LIGHT HAMMER

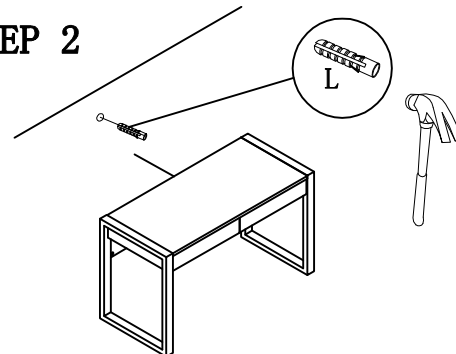
Note: Hardware included only compatible with standard drywalls.

### STEP 1



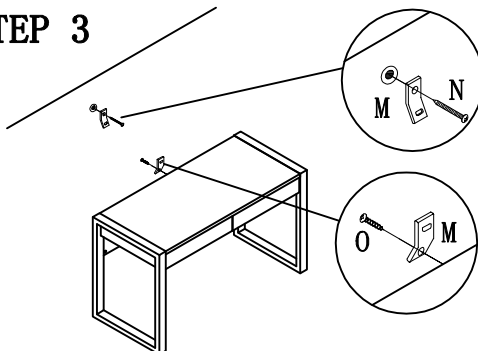
1. Find spot on wall 1" below top of item.
2. Using a drill bit slightly thinner than anchor, drill hole into drywall.

### STEP 2



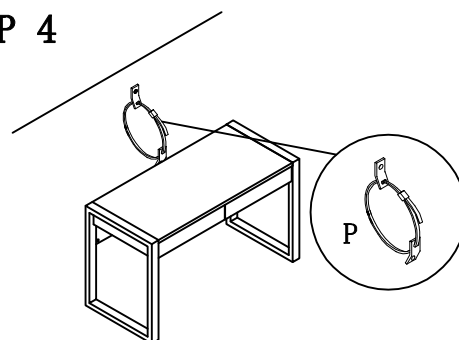
1. Use a light hammer to tap anchor into hole.
2. Anchor should fit snugly. If hole is too small, drill again to increase hole size. Do not force anchor into wall.

### STEP 3



1. Insert drywall screw into metal bracket and into drywall anchor.
2. Insert flathead screw into second metal bracket and into back of item along top edge.

### STEP 4



1. Insert strap thru bracket attached to wall, then thru bracket on item, and into head of strap.
  2. pull lightly til strap stops.
- Assembly is complete.