

ASSEMBLY INSTRUCTION

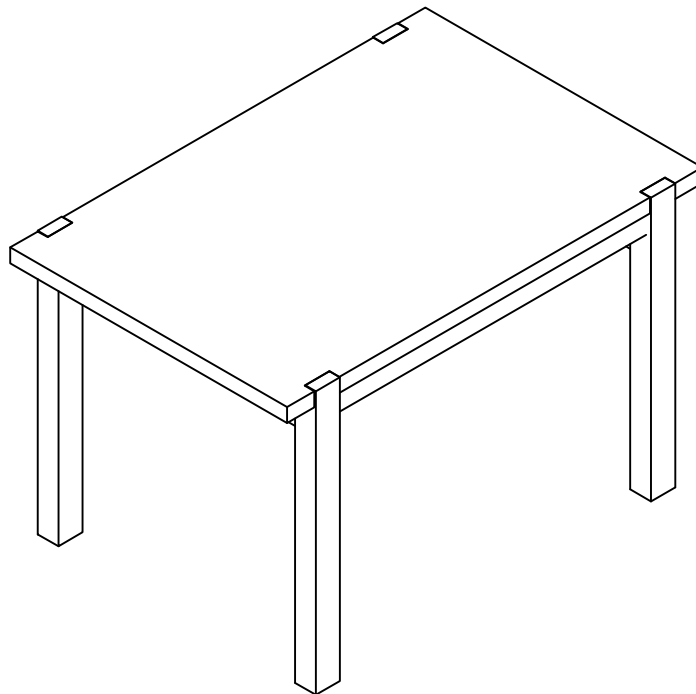
PLEASE READ BEFORE ASSEMBLING!

Tip #1: Make sure you've taken all the pieces and hardware out of its packaging before discarding the box.

Tip #2: Using page 2 and/or page 3 of instruction manual make sure all pieces and hardware are accounted for.

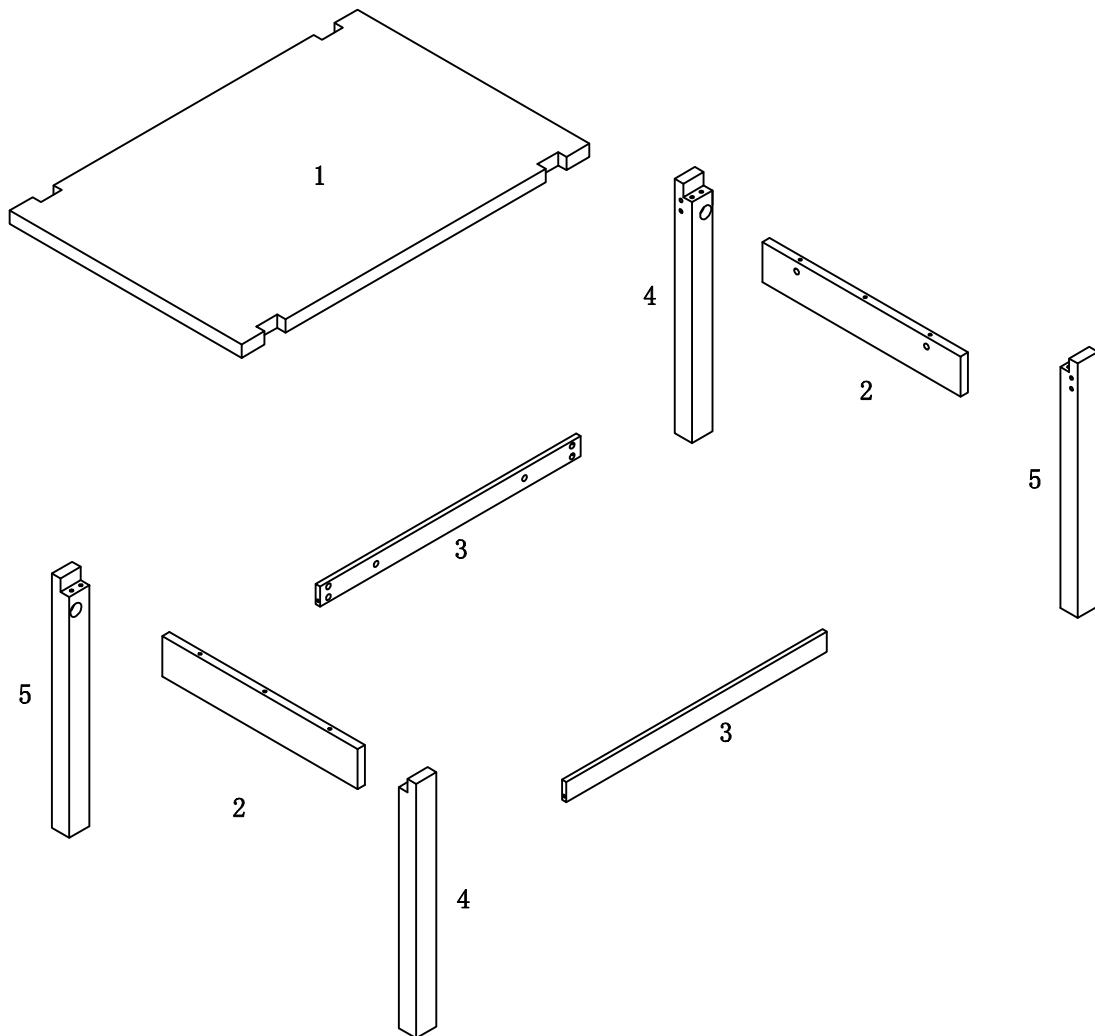
Tip #3: Read manual before assembling, it helps!

ITEM#: 172220



PARTS IDENTIFICATION

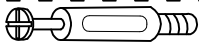







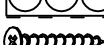

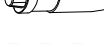

ITEM#: 172220



- | | |
|-----|------|
| (1) | 1pc |
| (2) | 2pcs |
| (3) | 2pcs |
| (4) | 2pcs |
| (5) | 2pcs |

HARDWARE IDENTIFICATION

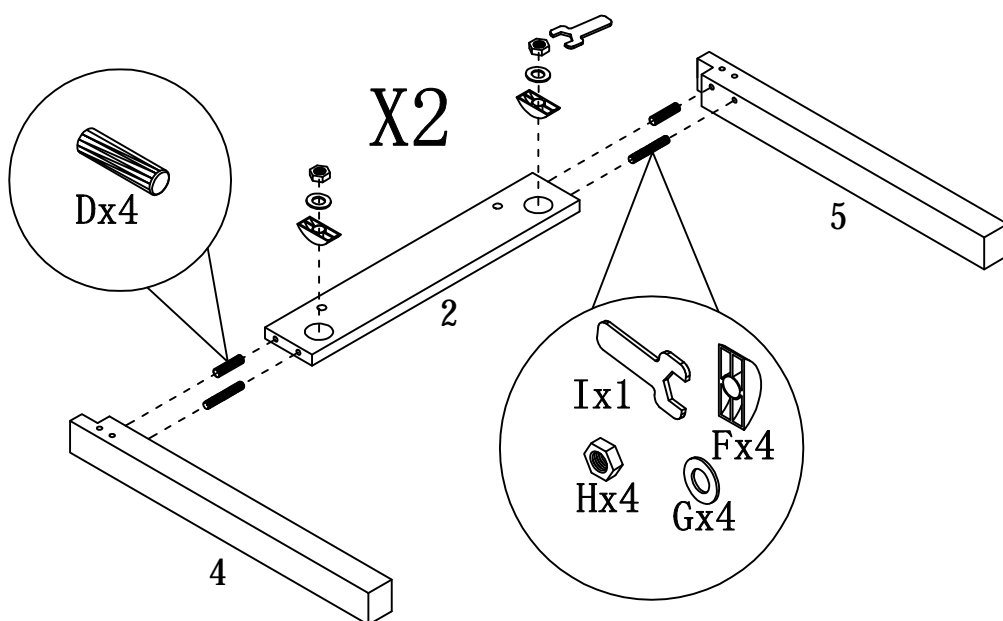
ITEM#: 172220

A		L29	12pcs
B		ϕ 15	12pcs
C		ϕ 25	4pcs
D		ϕ 8 x 25	10pcs
E		M8x70	8pcs
F		M8	8pcs
G		ϕ 8 x ϕ 16x2	8pcs
H		M8	8pcs
I		M13	1pc
J		ϕ 45	4pcs
K		ϕ 4 x 50	4pcs
L		Glue: For securing please apply to wood dowel first before inserting into panel	1pc

ASSEMBLY INSTRUCTION

ITEM#: 172220

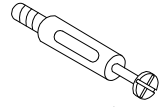
STEP 1



ASSEMBLY INSTRUCTION

ITEM#: 172220

HOW TO

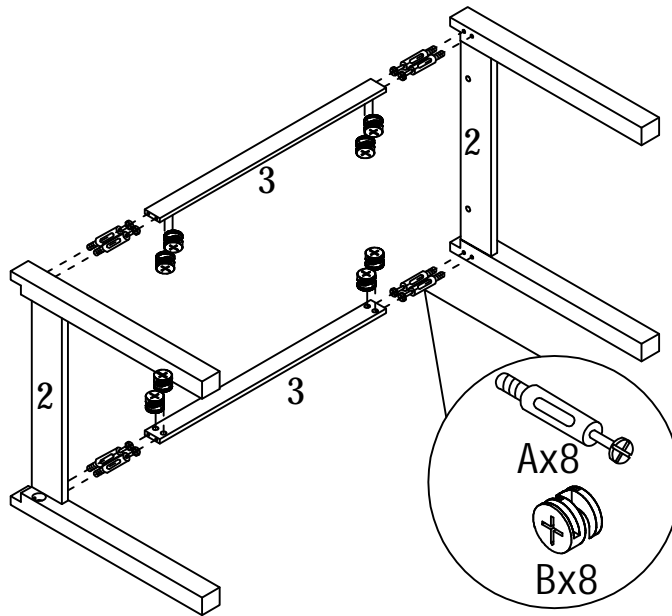


Cam Bolt



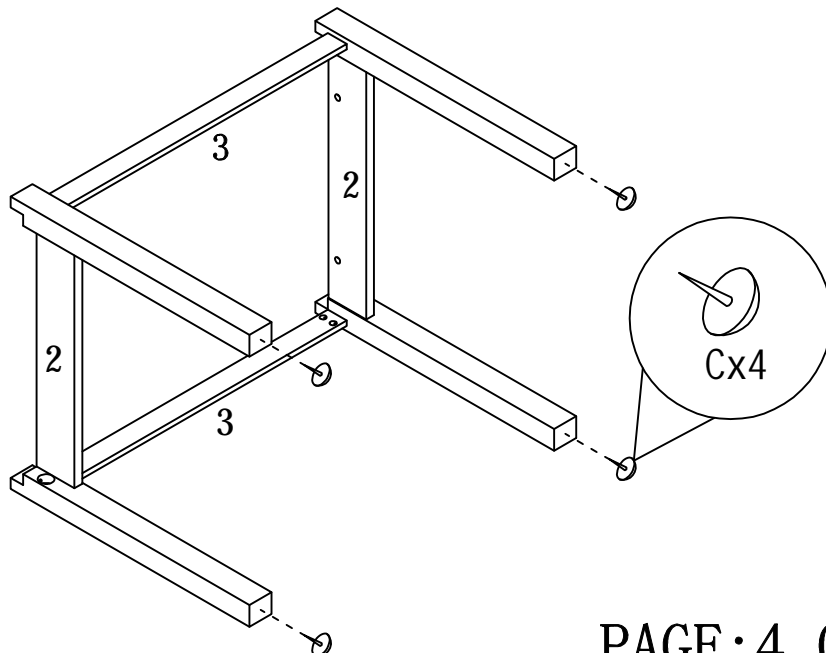
Cam Lock

	1	2	3	4
	1. Screw Cam Bolt into panel.	2. Insert Cam Bolt into bolt hole of joining panel.	3. Insert Cam Lock. arrow facing bolt.	4. Gently turn Cam Lock clockwise to lock position.



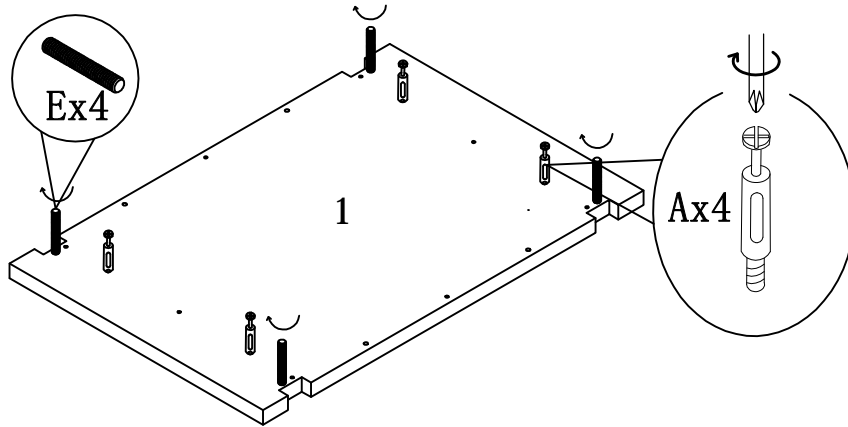
STEP 2

STEP 3



ASSEMBLY INSTRUCTION

ITEM#: 172220



STEP4

STEP5

