

ASSEMBLY INSTRUCTION

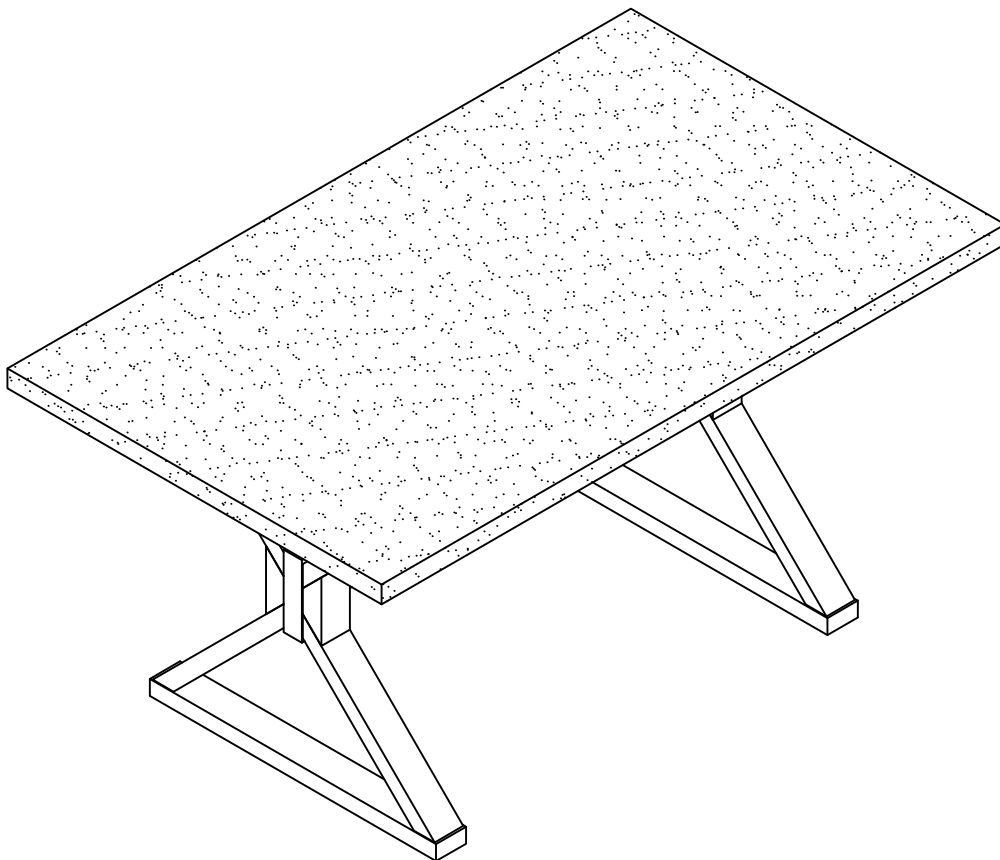
PLEASE READ BEFORE ASSEMBLING!

Tip #1: Make sure you've taken all the pieces and hardware out of its packaging before discarding the box.

Tip #2: Using page 2 and/or page 3 of instruction manual make sure all pieces and hardware are accounted for.

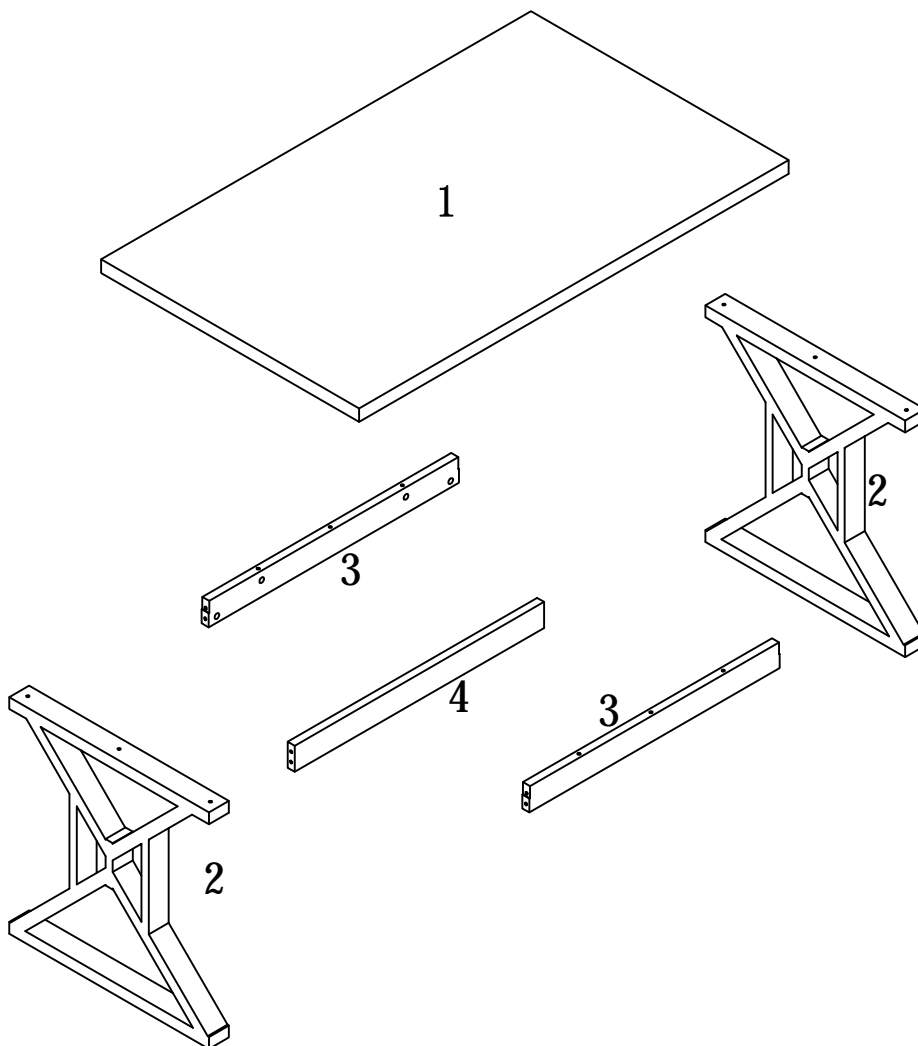
Tip #3: Read manual before assembling, it helps!

ITEM#: 172218



PARTS IDENTIFICATION

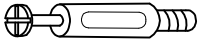


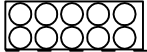





ITEM#: 172218



- | | |
|-----|------|
| (1) | 1pc |
| (2) | 2pcs |
| (3) | 2pcs |
| (4) | 1pc |

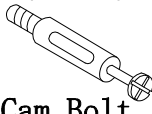
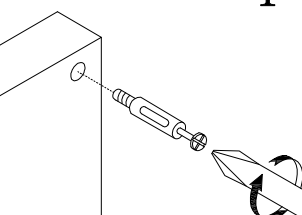
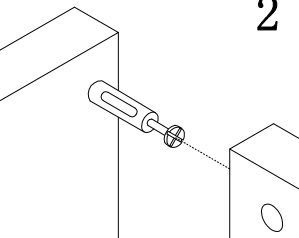
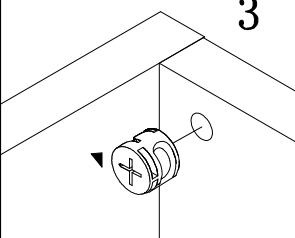
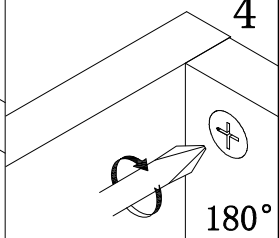

HARDWARE IDENTIFICATION

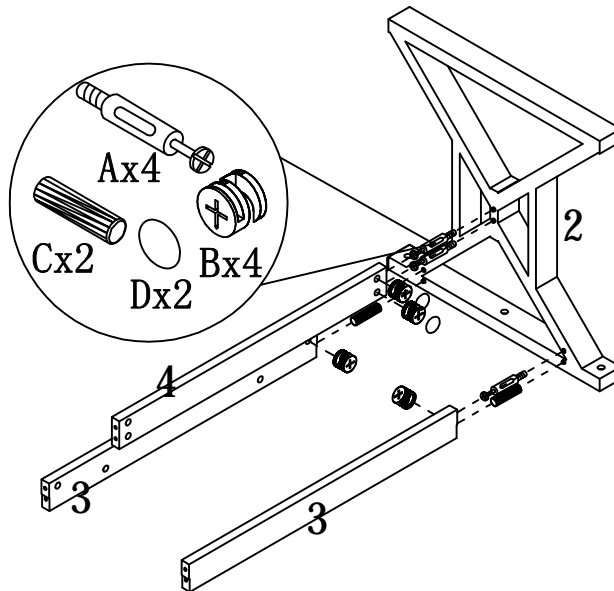
ITEM#: 172218

A		L29	12pcs
B		ϕ 15	12pcs
C		ϕ 8 x 25	6pcs
D		ϕ 22	4pcs
E		M5	1pc
F		M8 x 45	6pcs
G		ϕ 8 x ϕ 16x2	6pcs
H		ϕ 25	4pcs
I		Glue: For securing please apply to wood dowel first before inserting into panel	1pc

ASSEMBLY INSTRUCTION

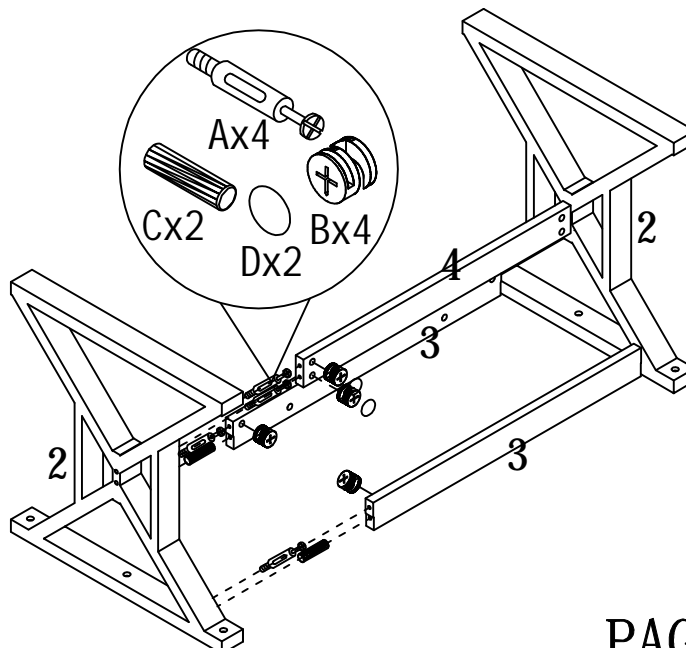
ITEM#:172218

HOW TO  Cam Bolt	1 	2 	3 	4  180°
Cam Lock 	1. Screw Cam Bolt into panel.	2. Insert Cam Bolt into bolt hole of joining panel.	3. Insert Cam Lock. arrow facing bolt.	4. Gently turn Cam Lock clockwise to lock position.



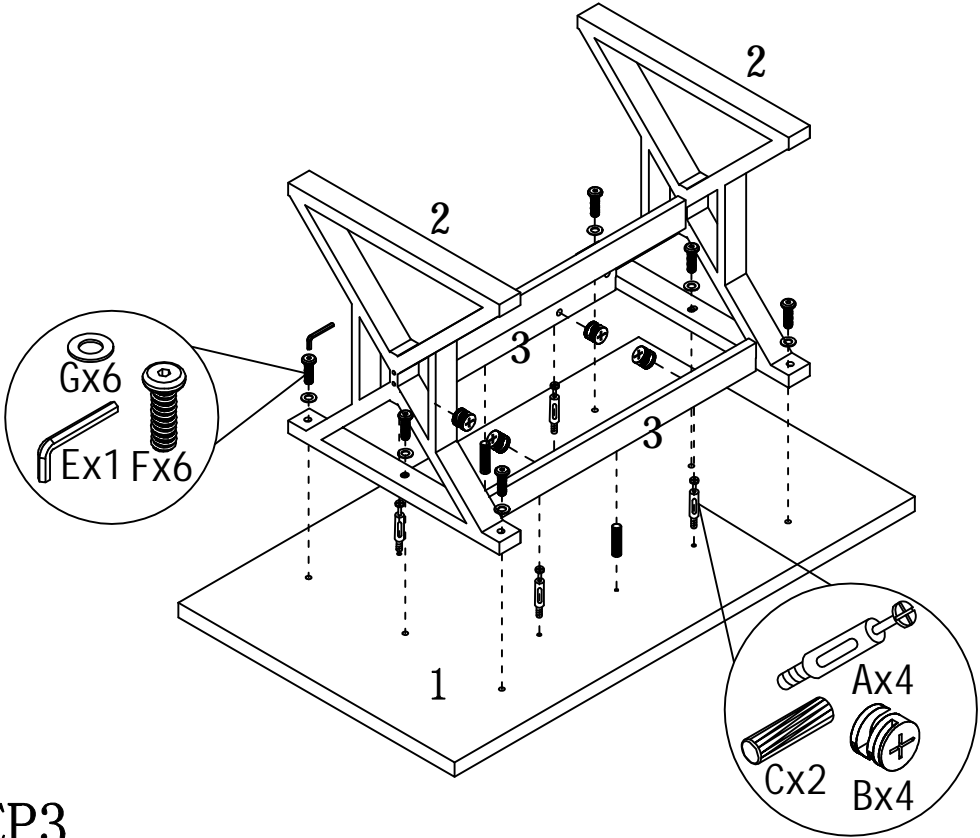
STEP1

STEP2



ASSEMBLY INSTRUCTION

ITEM#: 172218



STEP3

STEP4

