

# ASSEMBLY INSTRUCTION

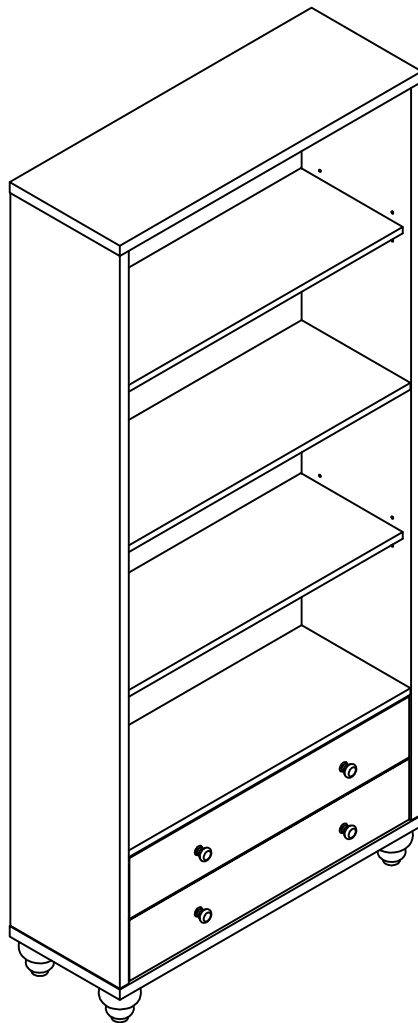
---

## PLEASE READ BEFORE ASSEMBLING!

Tip #1: Make sure you've taken all the pieces and hardware out of its packaging before discarding the box.

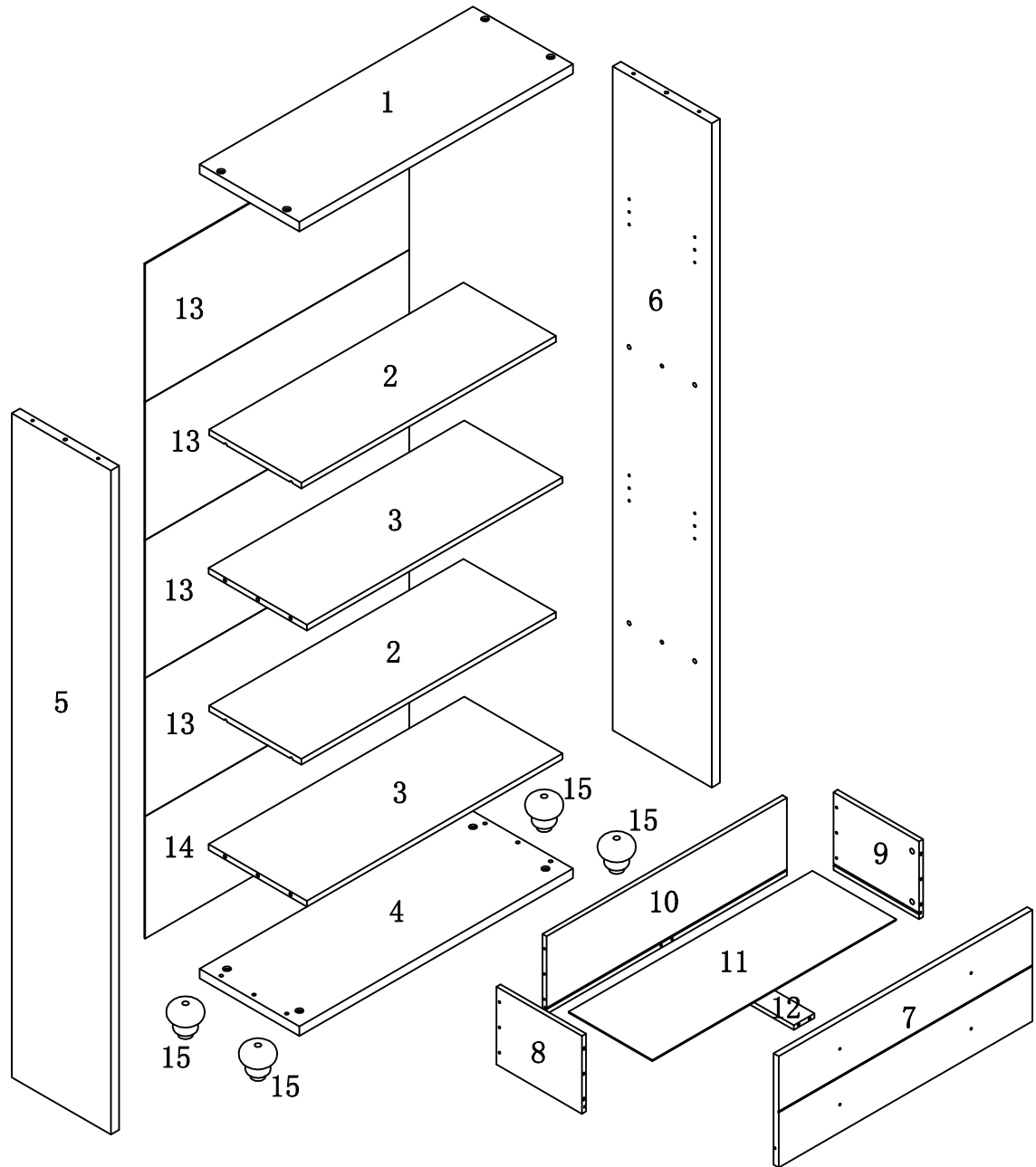
Tip #2: Using page 2 and/or page 3 of instruction manual make sure all pieces and hardware are accounted for.

**ITEM#:171980**



# PARTS IDENTIFICATION

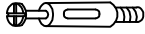


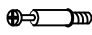







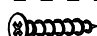
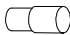
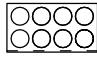


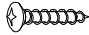
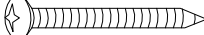
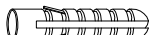



ITEM#:171980



(1)	1pc	(7)	1pc	(13)	4pcs
(2)	2pcs	(8)	1pc	(14)	1pc
(3)	2pcs	(9)	1pc	(15)	2pcs
(4)	1pc	(10)	1pc	(16)	2pcs
(5)	1pc	(11)	1pc		
(6)	1pc	(12)	1pc		

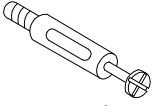

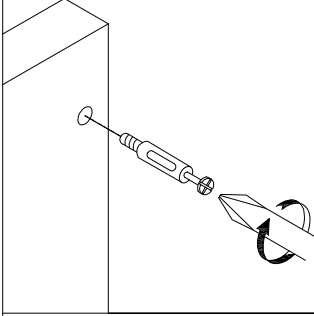
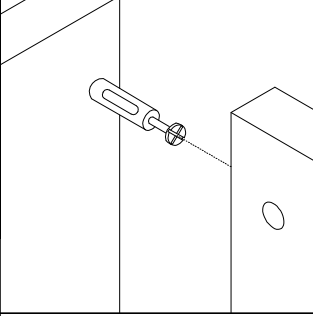
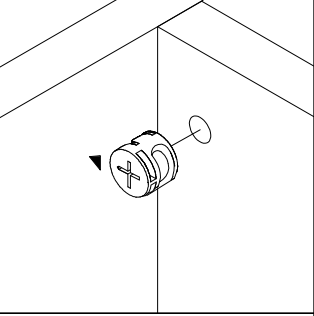
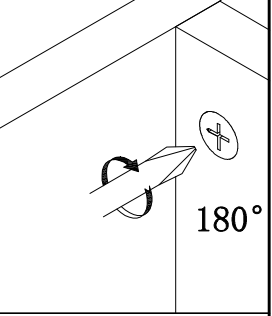
# HARDWARE IDENTIFICATION

ITEM#:171980

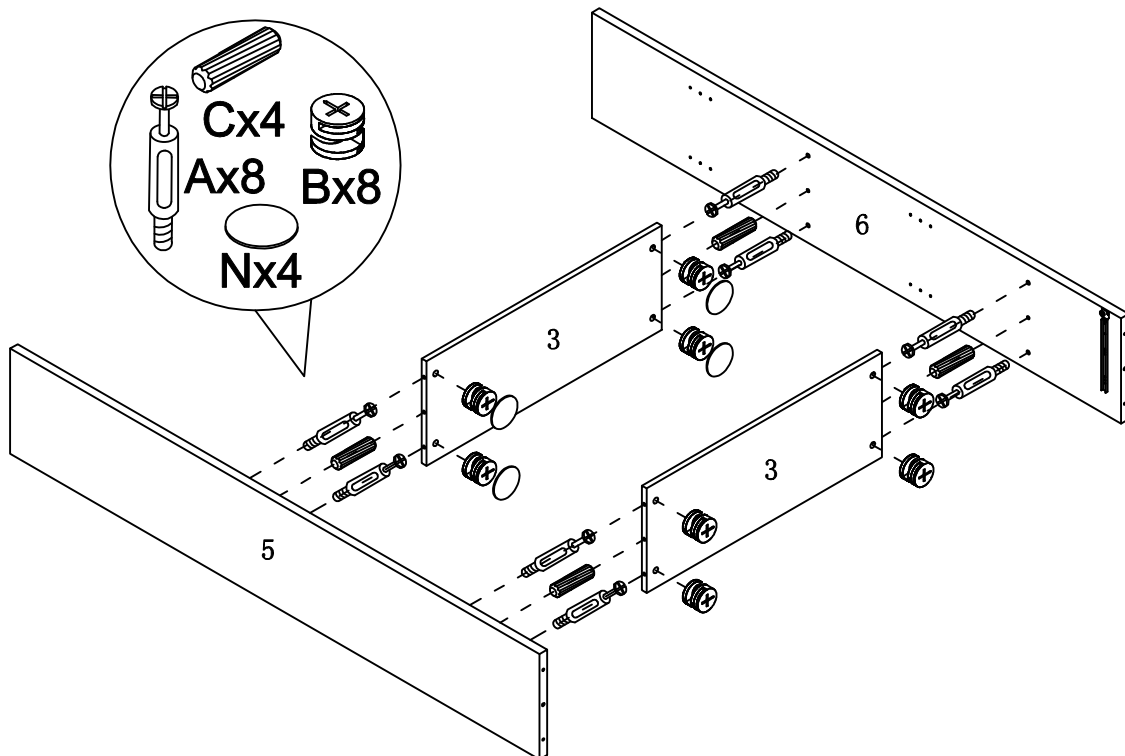
A		L29	8PCS
B		$\Phi 15$	8PCS
C		$\Phi 8 \times 25$	8PCS
D		L20	4PCS
E		$\Phi 12$	4PCS
F		$\Phi 6 \times 30$	4PCS
G		$\Phi 7 \times 48$	8PCS
H		$\Phi 8 \times 16 \times 2$	12PCS
I		$\Phi 25$	4PCS
J		M4x22	4PCS
K		$\Phi 8 \times 40$	4PCS
L		$\Phi 4 \times 30$	8PCS
M		$\Phi 5 \times 10$	8PCS
N		$\Phi 22$ (DTP)	8PCS
O			52PCS
P		$197 \times 5 \times 1$	1PC
Q		$\varnothing 4 \times 25$	1PC
R		$\varnothing 5 \times 40$	1PC
S		$\varnothing 8 \times 40$	1PC
T		$12 \times 12 \times 1$	2PCS
U		M5	1PC
V		Glue: For securing please apply to wood dowel first before inserting into panel	1PC

# HARDWARE IDENTIFICATION

ITEM#:171980

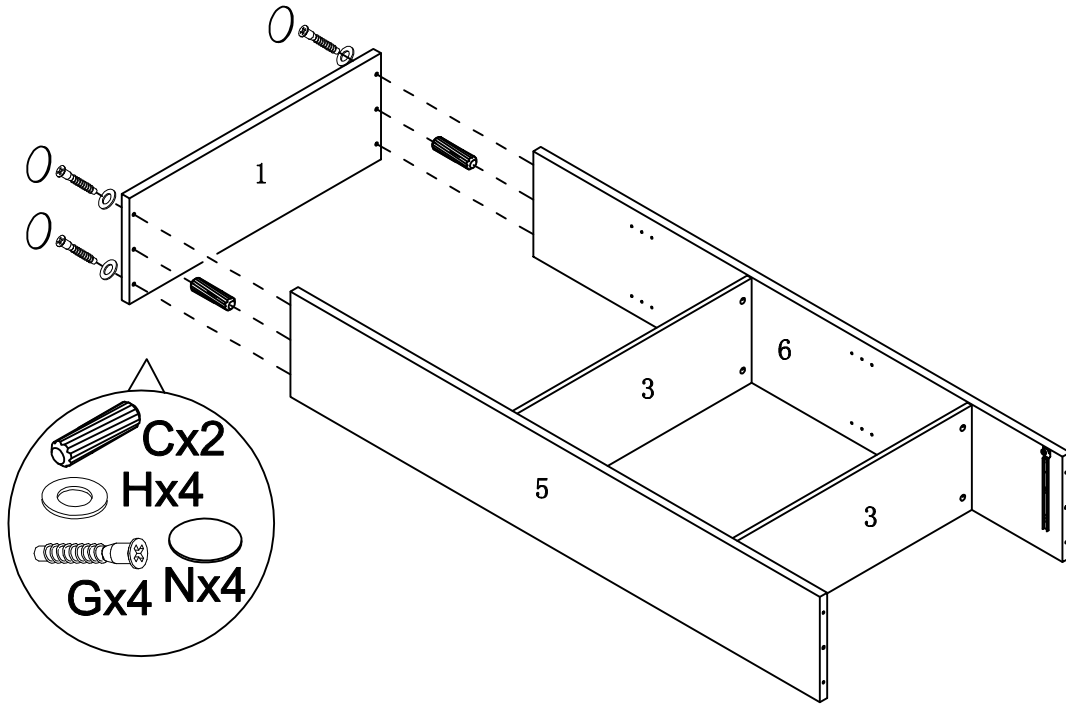
HOW TO	1	2	3	4
 Cam Bolt  Cam Lock				
	1. Screw Cam Bolt into panel.	2. Insert Cam Bolt into bolt hole of joining panel.	3. Insert Cam Lock. arrow facing bolt.	4. Gently turn Cam Lock clockwise to lock position.

## STEP 1



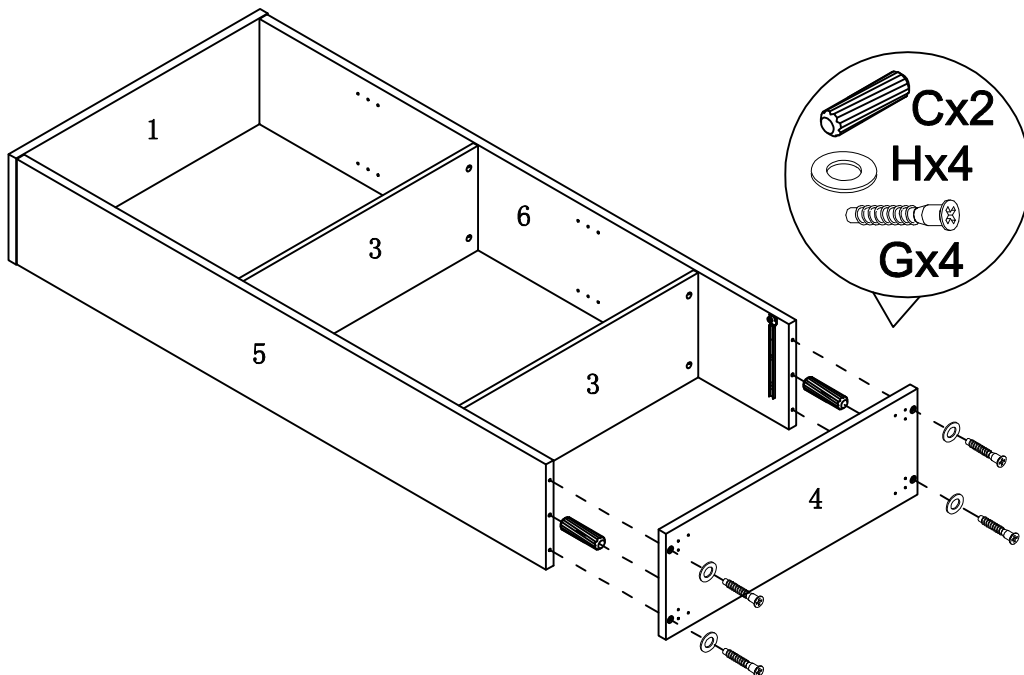
# HARDWARE IDENTIFICATION

ITEM#:171980



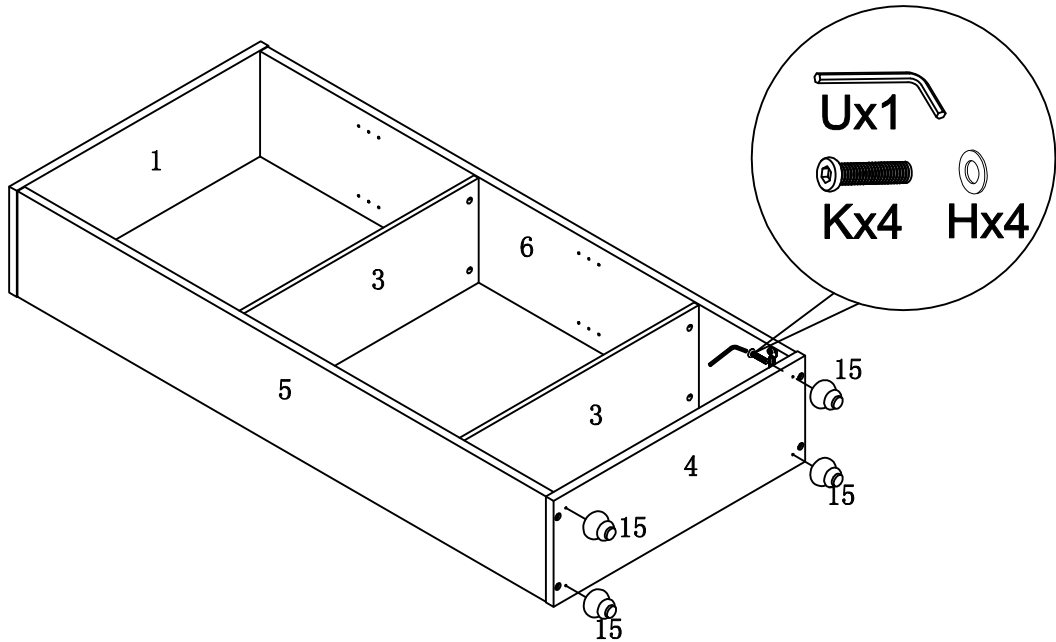
STEP2

STEP3



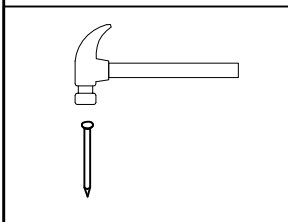
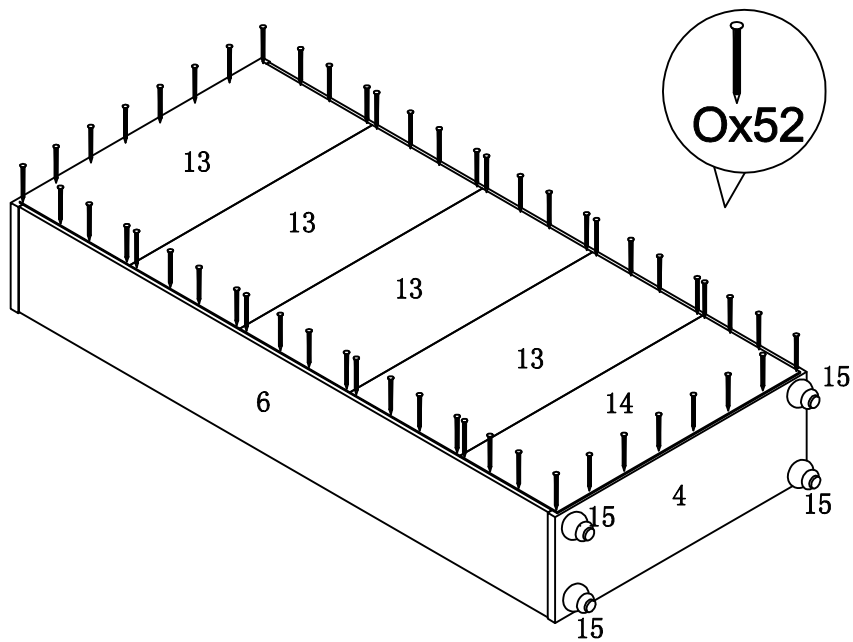
# HARDWARE IDENTIFICATION

ITEM#:171980



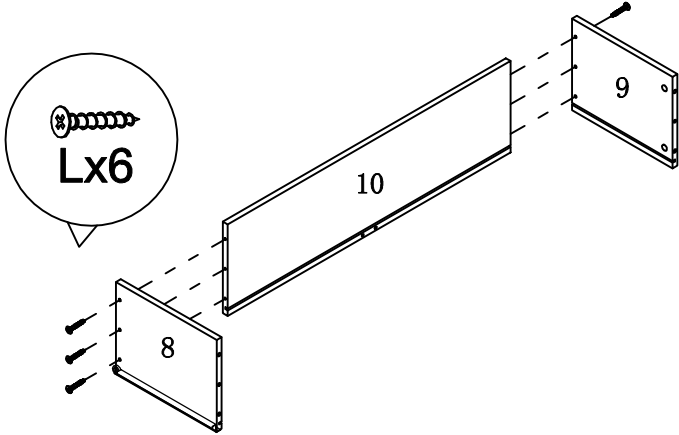
STEP4

STEP5



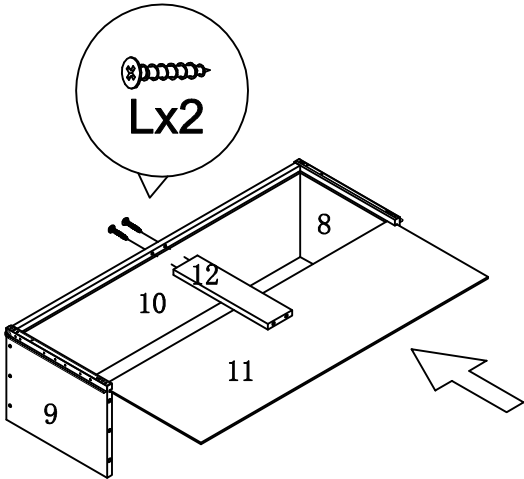
# HARDWARE IDENTIFICATION

ITEM#:171980



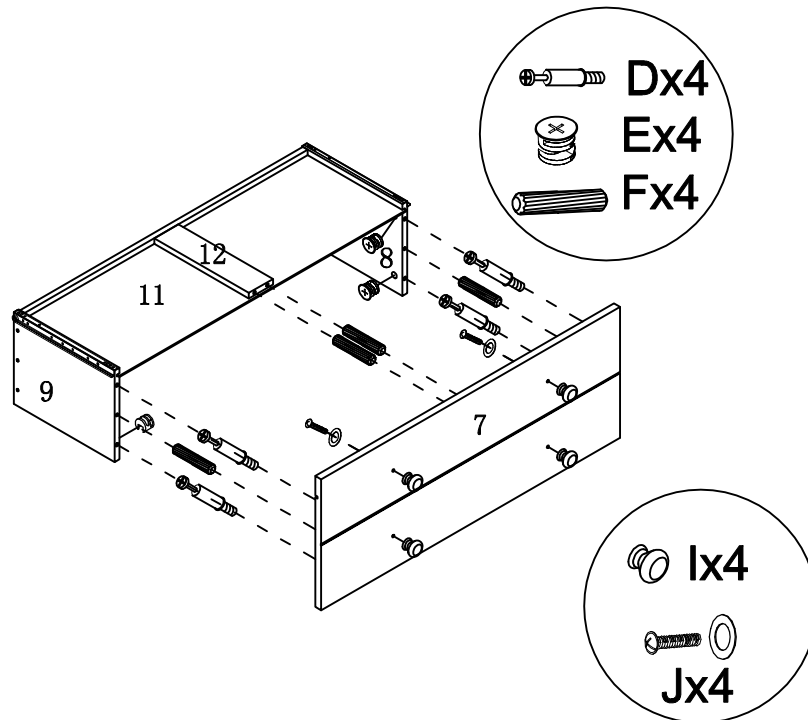
STEP6

STEP7



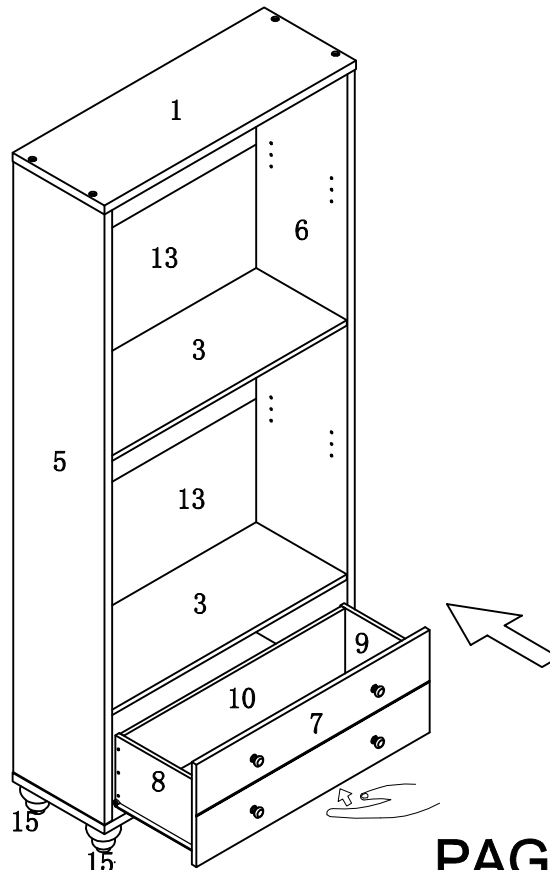
# HARDWARE IDENTIFICATION

ITEM#:171980



STEP8

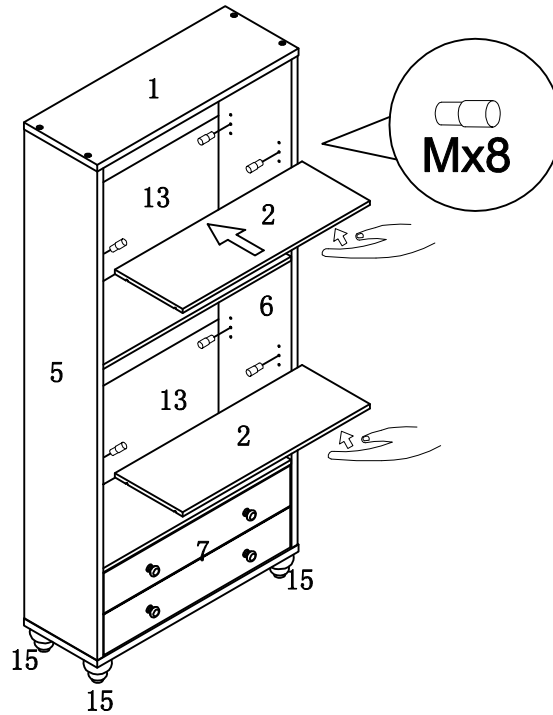
STEP9





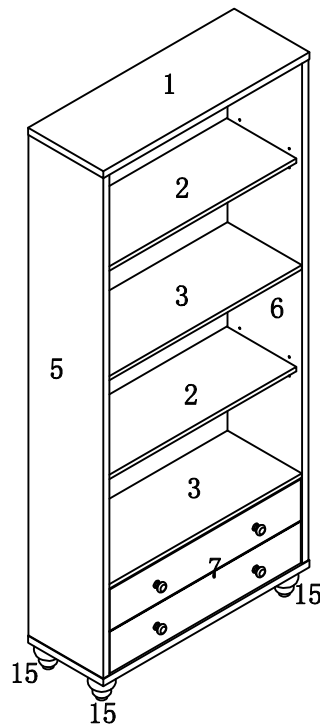
# ASSEMBLY INSTRUCTION

ITEM#:171980



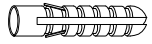
STEP10

STEP11

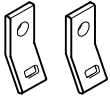


# ANTI-TIPPING STRAP INSTRUCTION

## HARDWARE (INCLUDED) :



DRYWALL ANCHOR  $\phi 8 \times 40$  X 1PC



METAL BRACKETS  $12 \times 12 \times 1$  X 2PCS



DRYWALL SCREW  $\phi 5 \times 40$  X 1PC

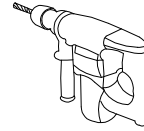


STRAP  $197 \times 5 \times 1$  X 1PC



FLATHEAD SCREW  $\phi 4 \times 25$  X 1PC

## TOOLS NEEDED ( NOT INCLUDED) :



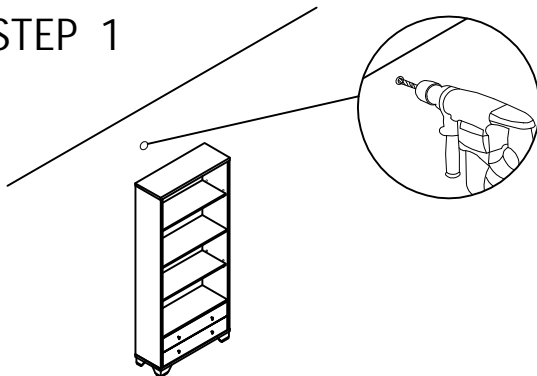
DRILL & DRILL BIT



LIGHT HAMMER

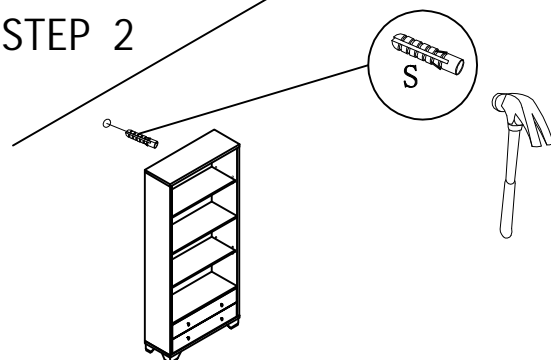
Note: Hardware included only compatible with standard drywalls.

### STEP 1



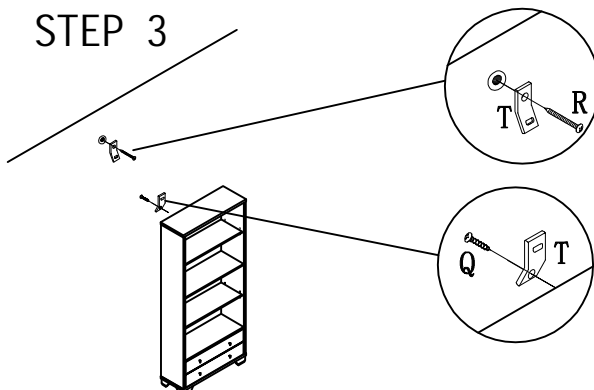
1. Find spot on wall 1" below top of item.
2. Using a drill bit slightly thinner than anchor, drill hole into drywall.

### STEP 2



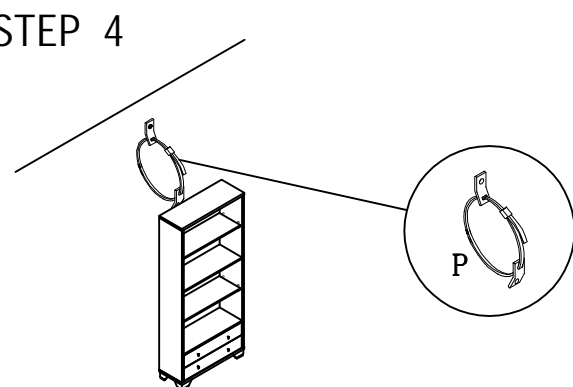
1. Use a light hammer to tap anchor into hole.
2. Anchor should fit snugly. If hole is too small, drill again to increase hole size. Do not force anchor into wall.

### STEP 3



1. Insert drywall screw into metal bracket and into drywall anchor.
2. Insert flathead screw into second metal bracket and into back of item along top edge.

### STEP 4



1. Insert strap thru bracket attached to wall, then thru bracket on item, and into head of strap.
  2. pull lightly til strap stops.
- Assembly is complete.

# ASSEMBLY INSTRUCTION

---

ITEM#:171980

