

# ASSEMBLY INSTRUCTION

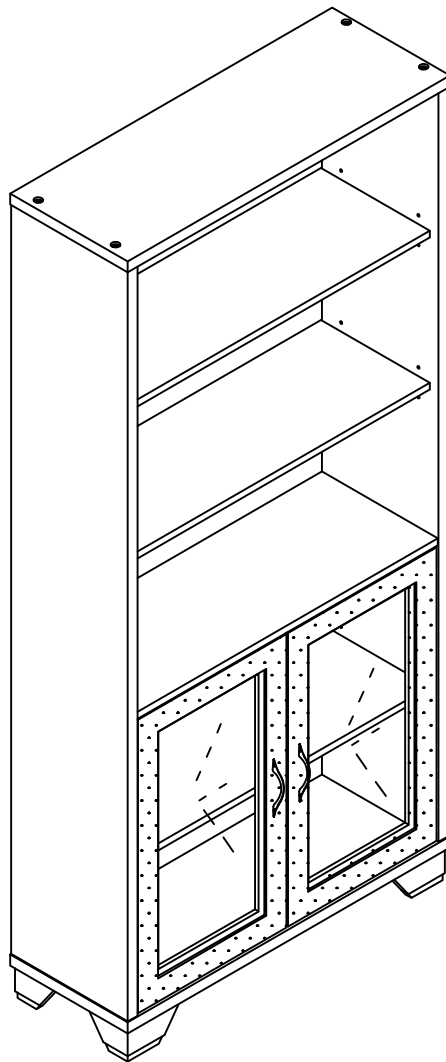
---

## PLEASE READ BEFORE ASSEMBLING!

Tip #1: Make sure you've taken all the pieces and hardware out of its packaging before discarding the box.

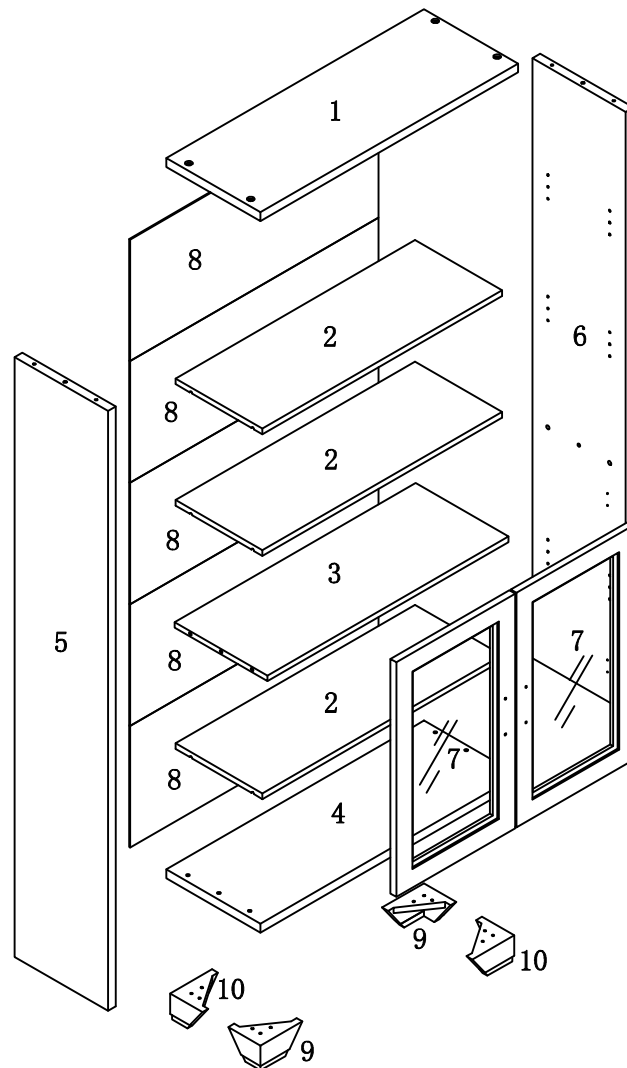
Tip #2: Using page 2 and/or page 3 of instruction manual make sure all pieces and hardware are accounted for.

**ITEM#:171979**



# PARTS IDENTIFICATION











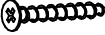
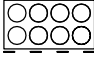


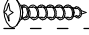
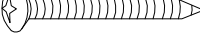
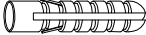


ITEM#:171979



(1)	1pc	(6)	1pc
(2)	3pcs	(7)	2pcs
(3)	1pc	(8)	5pcs
(4)	1pc	(9)	2pcs
(5)	1pc	(10)	2pcs

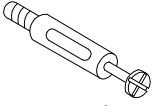

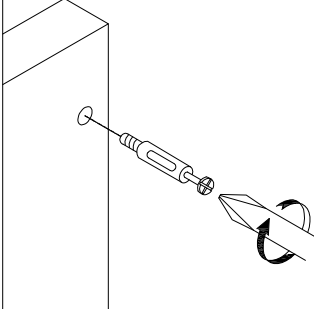
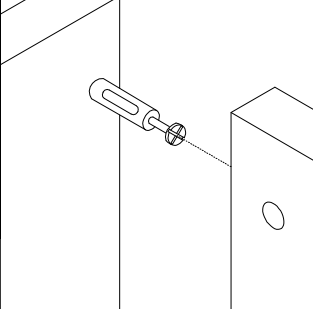
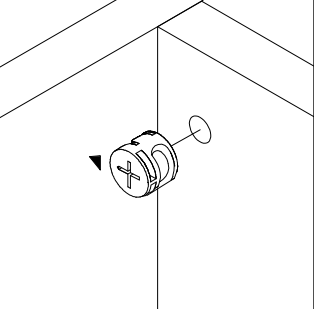
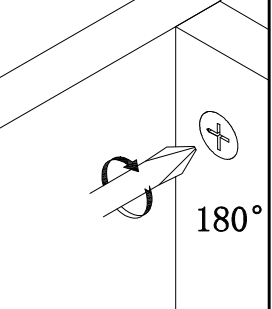
# HARDWARE IDENTIFICATION

ITEM#:171979

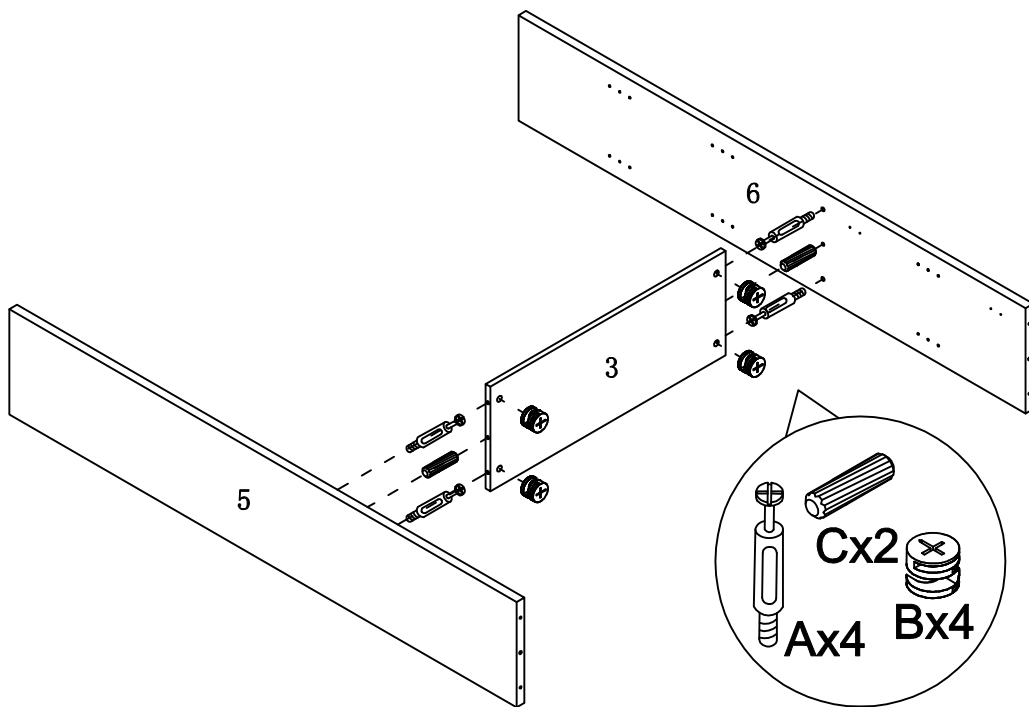
A		L29	4PCS
B		Φ 15	4PCS
C		Φ 8x25	6PCS
D		Φ 7x48	8PCS
E		Φ 8x16x2	8PCS
F		Φ 5x10	12PCS
G		96-122	2PCS
H		M4x20	4PCS
I		301C	4PCS
J		Φ 4x16	16PCS
K		Φ 4x35	12PCS
L		Φ 22 (DTP)	4PCS
M			52PCS
N		197×5×1	1PC
O		ø4×25	1PC
P		ø5×40	1PC
Q		ø8×40	1PC
R		12×12×1	2PCS
S		Glue: For securing please apply to wood dowel first before inserting into panel	1PC

# HARDWARE IDENTIFICATION

ITEM#:171979

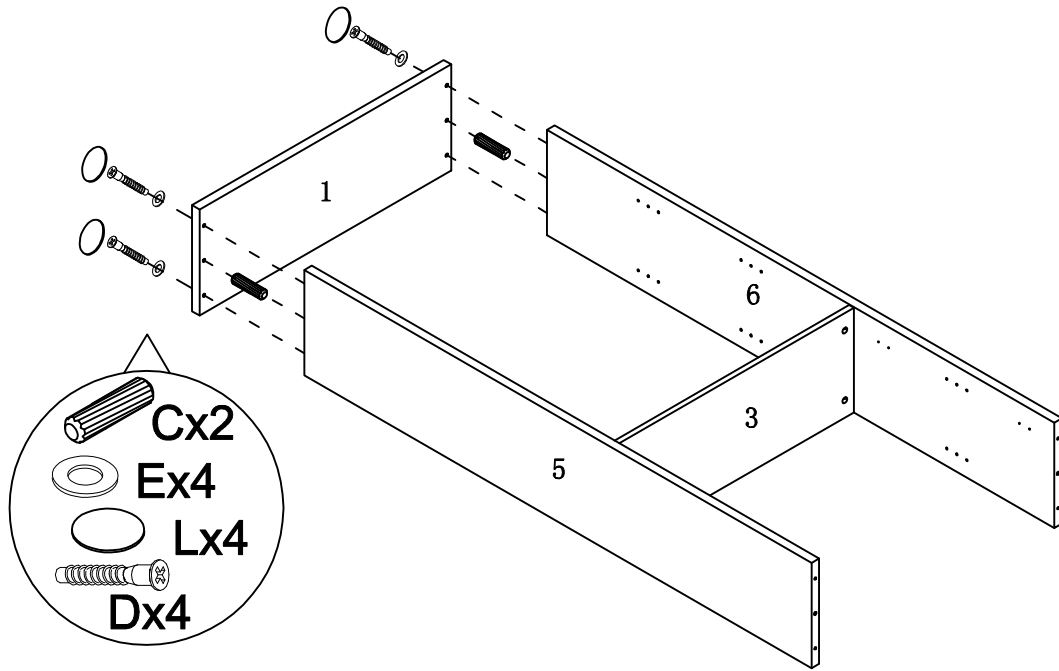
HOW TO	1	2	3	4
 Cam Bolt  Cam Lock				
	1. Screw Cam Bolt into panel.	2. Insert Cam Bolt into bolt hole of joining panel.	3. Insert Cam Lock. arrow facing bolt.	4. Gently turn Cam Lock clockwise to lock position.

## STEP 1



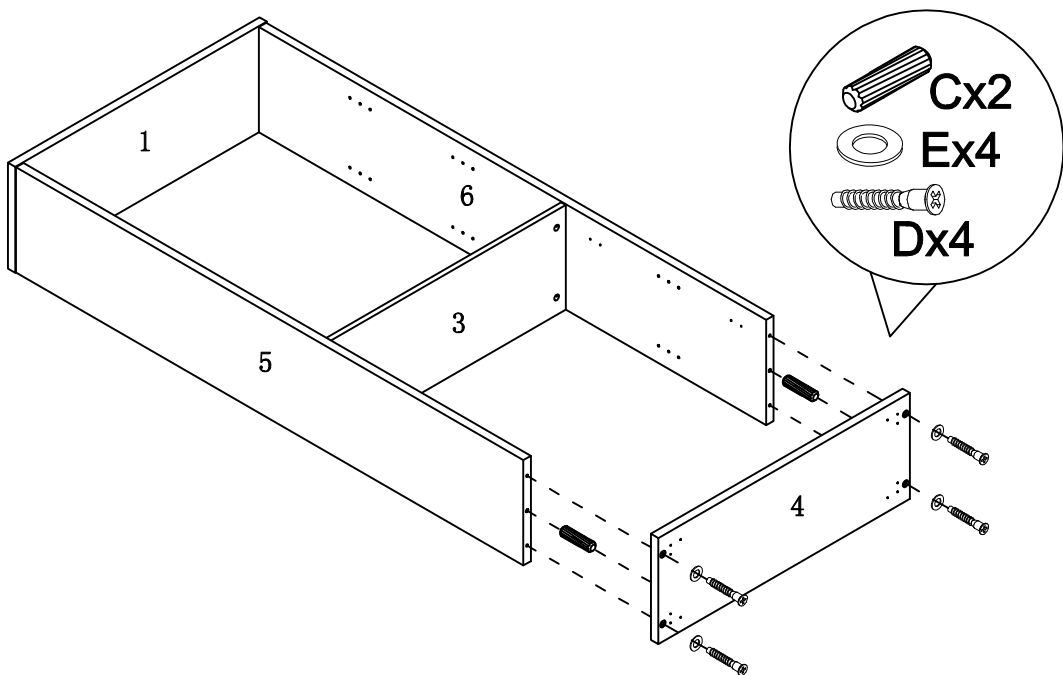
# HARDWARE IDENTIFICATION

ITEM#:171979



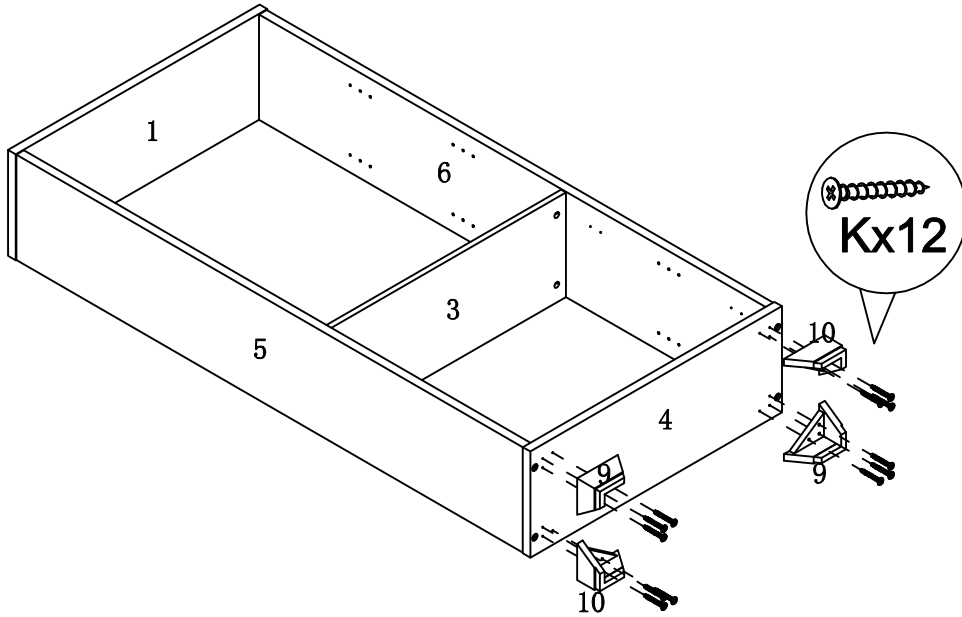
STEP2

STEP3



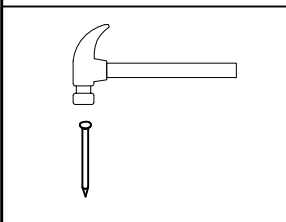
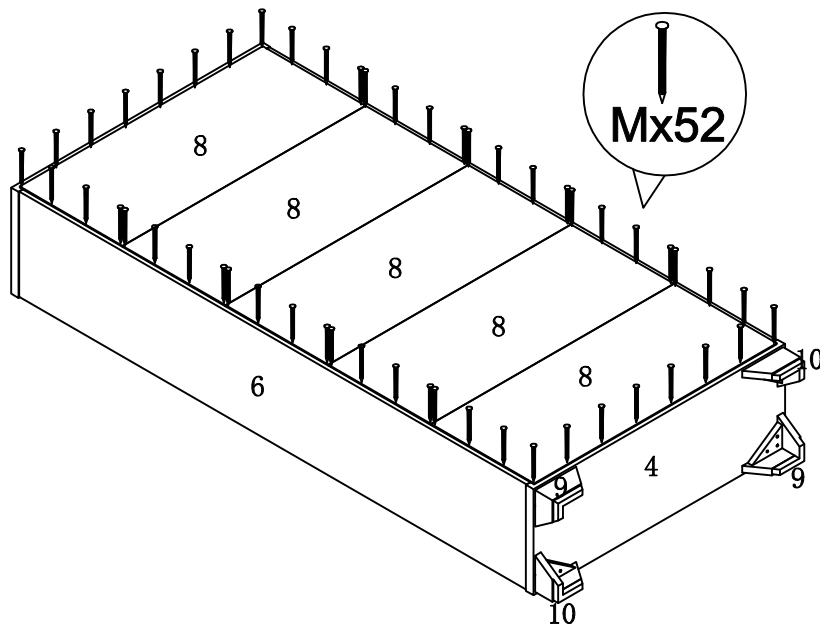
# HARDWARE IDENTIFICATION

ITEM#:171979



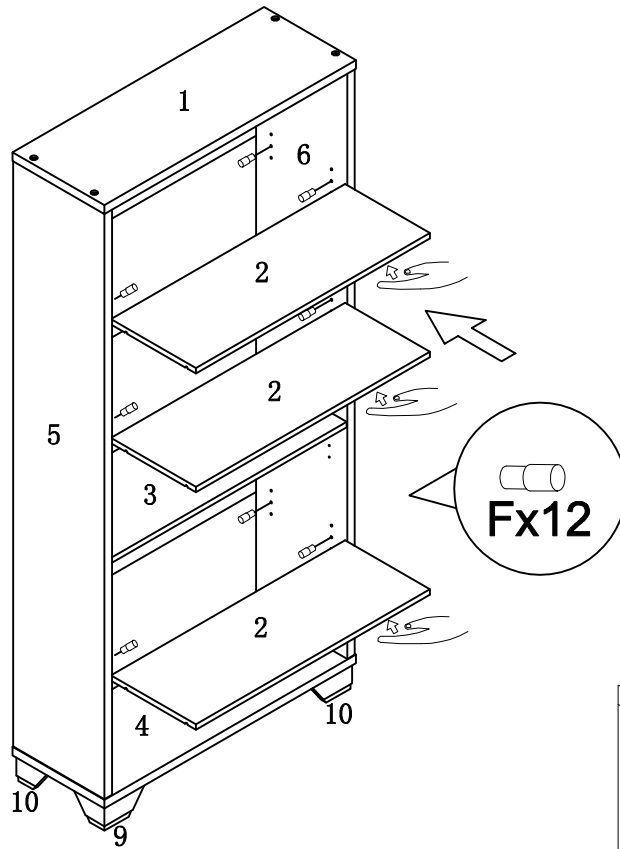
STEP4

STEP5



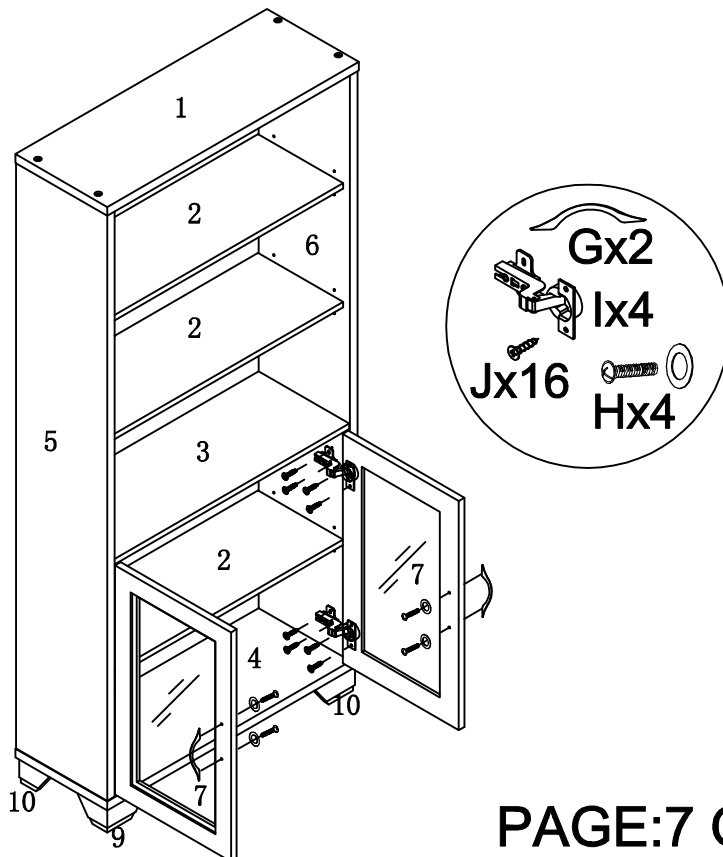
# HARDWARE IDENTIFICATION

ITEM#:171979

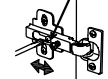


STEP6

STEP7



To adjust the door in or out, loosen this screw and push the door further in or push further out then retighten screws.



To adjust the door vertically, loosen the top and bottom screws, push the door up or down as necessary, then retighten screws.

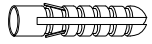


To adjust the door left/right, turn this screw clockwise to move this corner of the door toward the frame, or counterclockwise to move door away from the frame.

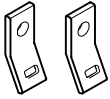
PAGE:7 OF 7

# ANTI-TIPPING STRAP INSTRUCTION

## HARDWARE (INCLUDED) :



DRYWALL ANCHOR  $\phi 8 \times 40$  X 1PC



METAL BRACKETS  $12 \times 12 \times 1$  X 2PCS



DRYWALL SCREW  $\phi 5 \times 40$  X 1PC

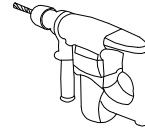


STRAP  $197 \times 5 \times 1$  X 1PC



FLATHEAD SCREW  $\phi 4 \times 25$  X 1PC

## TOOLS NEEDED ( NOT INCLUDED) :



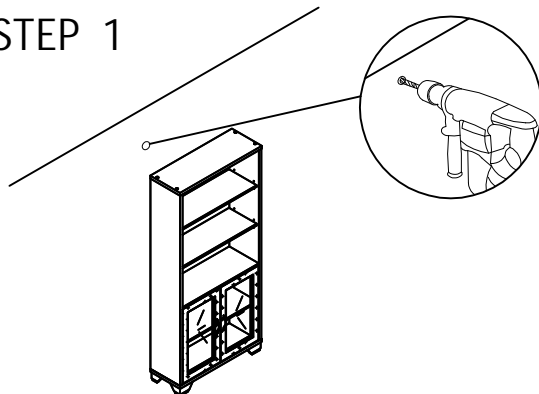
DRILL & DRILL BIT



LIGHT HAMMER

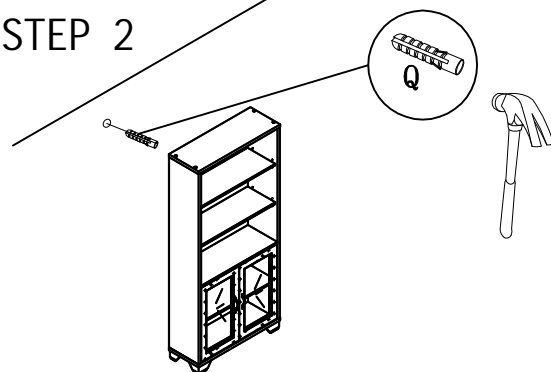
Note: Hardware included only compatible with standard drywalls.

### STEP 1



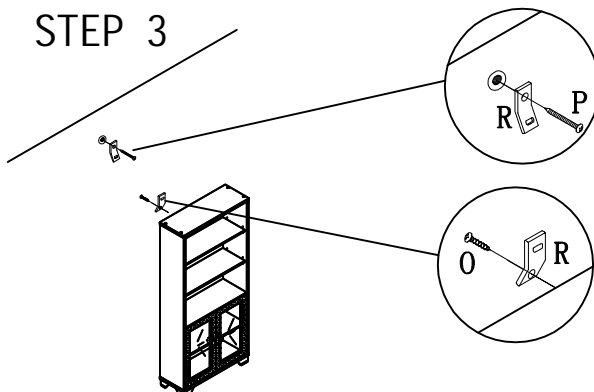
1. Find spot on wall 1" below top of item.
2. Using a drill bit slightly thinner than anchor, drill hole into drywall.

### STEP 2



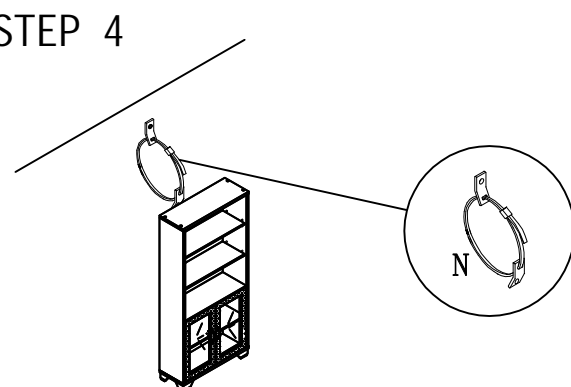
1. Use a light hammer to tap anchor into hole.
2. Anchor should fit snugly. If hole is too small, drill again to increase hole size. Do not force anchor into wall.

### STEP 3



1. Insert drywall screw into metal bracket and into drywall anchor.
2. Insert flathead screw into second metal bracket and into back of item, along top edge.

### STEP 4



1. Insert strap thru bracket attached to wall, then thru bracket on item, and into head of strap.
  2. pull lightly til strap stops.
- Assembly is complete.