

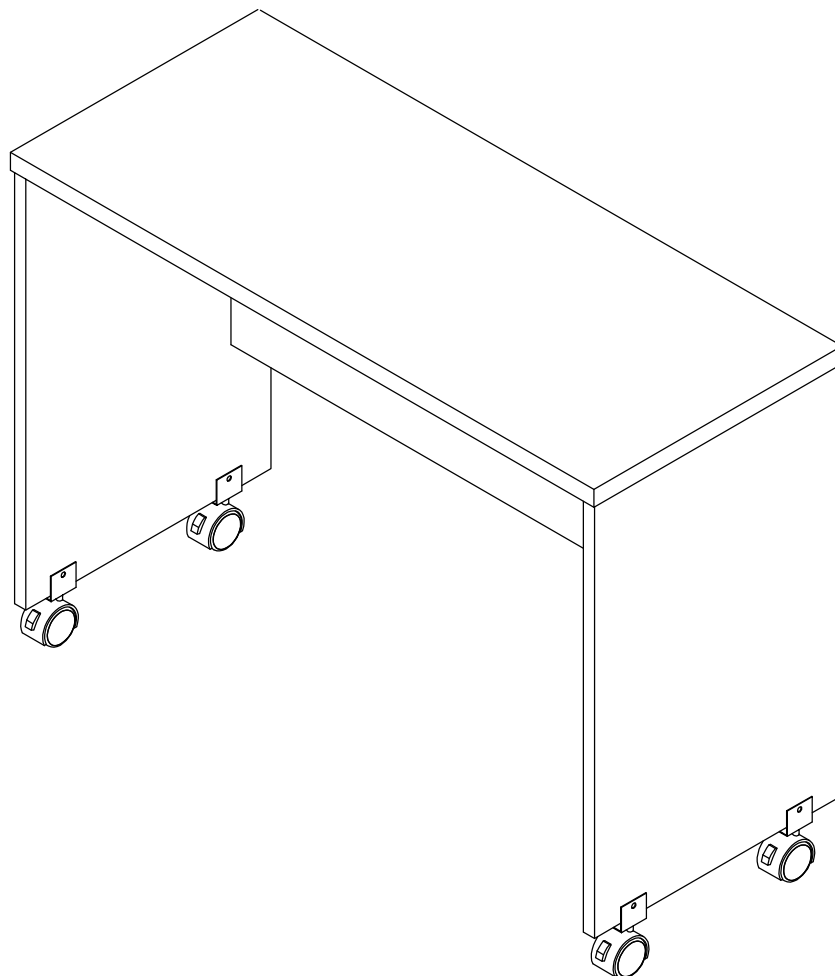
ASSEMBLY INSTRUCTION

PLEASE READ BEFORE ASSEMBLING!

Tip #1: Make sure you've taken all the pieces and hardware out of its packaging before discarding the box.

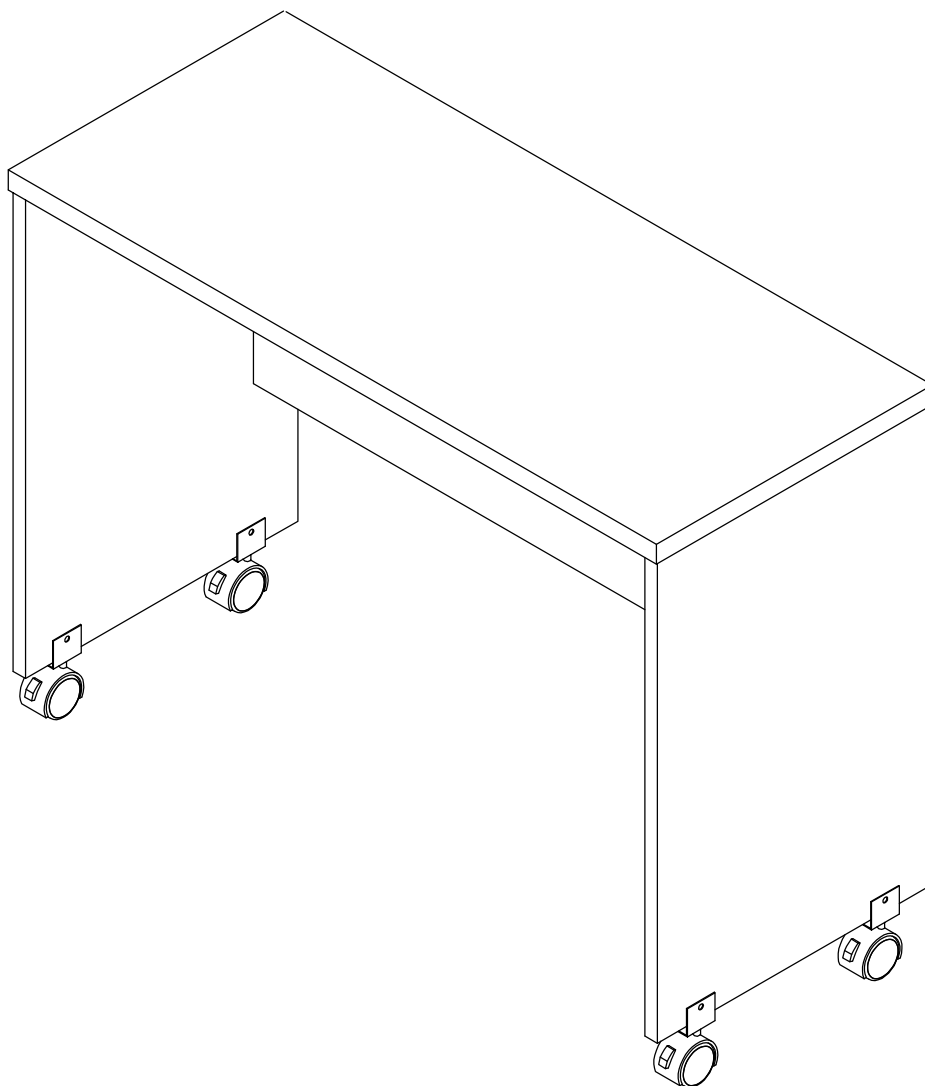
Tip #2: Using page 2 and/or page 3 of instruction manual make sure all pieces and hardware are accounted for.

ITEM# 1524C	1525C	1526C	161525C
161571C	192492C	192493C	192494C



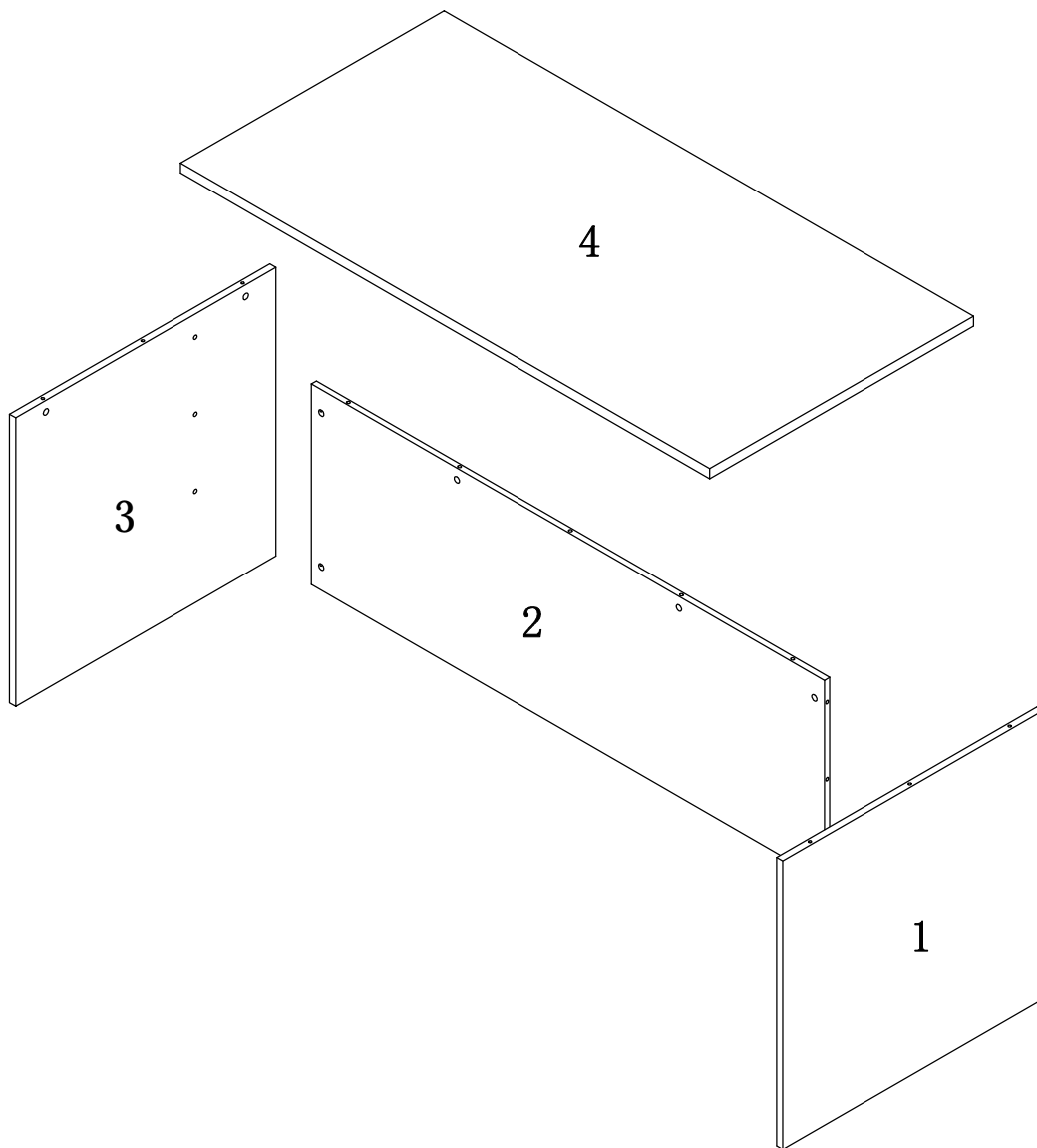
ASSEMBLY INSTRUCTION

ITEM#: 1524C、 1525C、 1526C、 1527C
COA-55、 5719-3、 161525C、 161571C



PARTS IDENTIFICATION

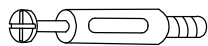



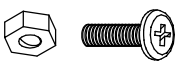
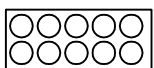

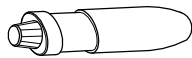
ITEM#:1524C、1525C、1526C、1527C
COA-55、5719-3、161525C、161571C



(1)	1pc	(3)	1pc
(2)	1pc	(4)	1pc

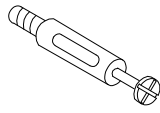

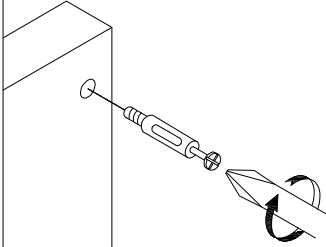
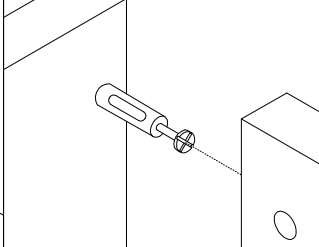
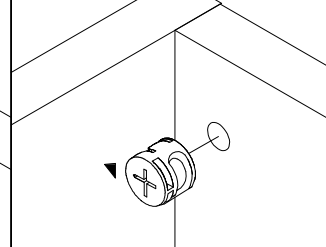
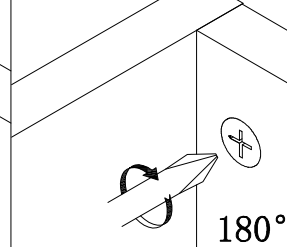
HARDWARE IDENTIFICATION

ITEM#: 1524C、1525C、1526C、1527C
COA-55、5719-3、161525C、161571C

A		L29	10pcs
B		φ 15	10pcs
C		H50	2pcs
D		H50	2pcs
E		M6、φ 6×25	4pcs
F		φ 18	10pcs
G		φ 8×25	7pcs
H		Glue: For securing please apply to wood dowel first before inserting into panel	1pc

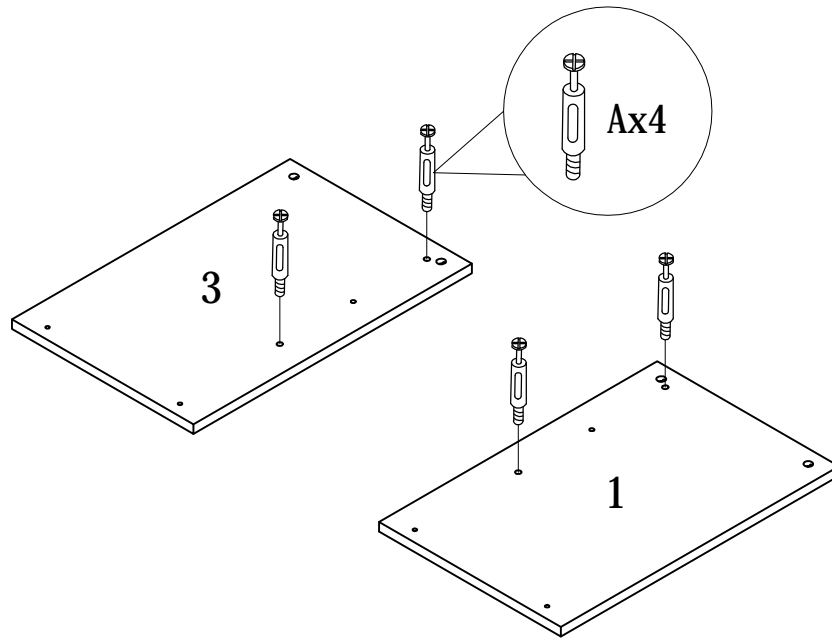
ASSEMBLY INSTRUCTION

ITEM#: 1524C、1525C、1526C、1527C
COA-55、5719-3

<p>HOW TO</p>  <p>Cam Bolt</p>  <p>Cam Lock</p>	1	2	3	4
	 <p>1. Screw Cam Bolt into panel.</p>	 <p>2. Insert Cam Bolt into bolt hole of joining panel.</p>	 <p>3. Insert Cam Lock. arrow facing bolt.</p>	 <p>4. Gently turn Cam Lock clockwise to lock position.</p> <p>180°</p>

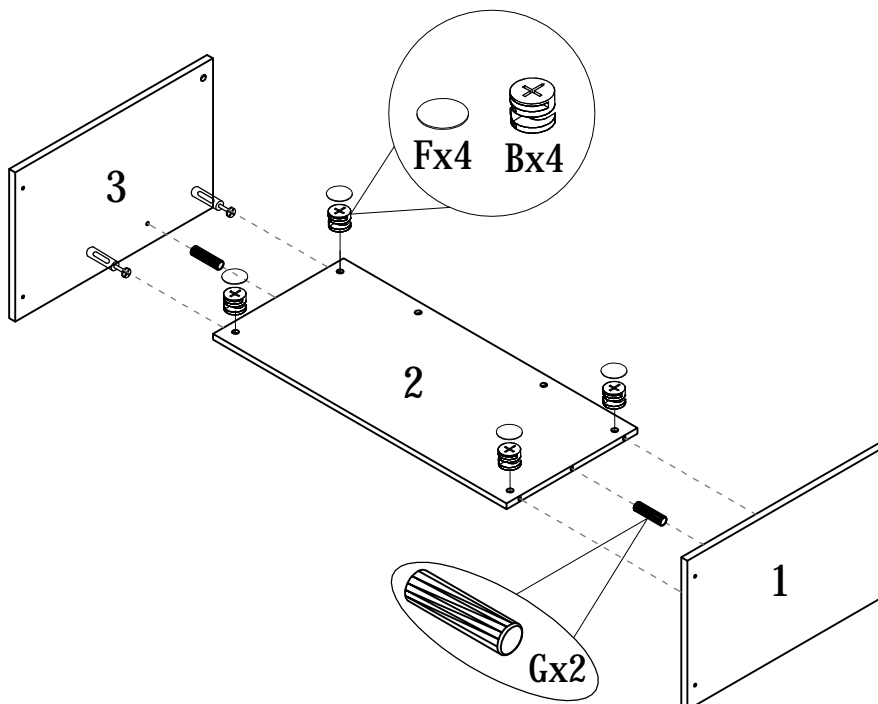
ASSEMBLY INSTRUCTION

ITEM#: 1524C、1525C、1526C、1527C
COA-55、5719-3、161525C、161571C



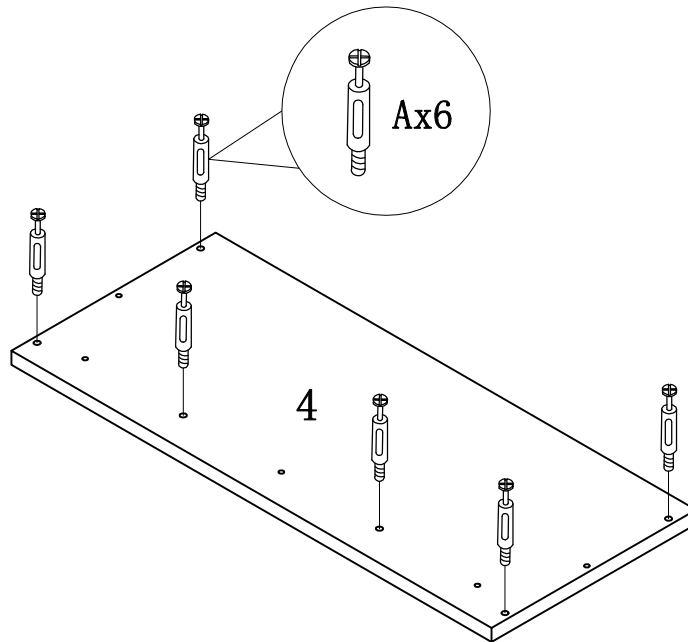
STEP1

STEP2



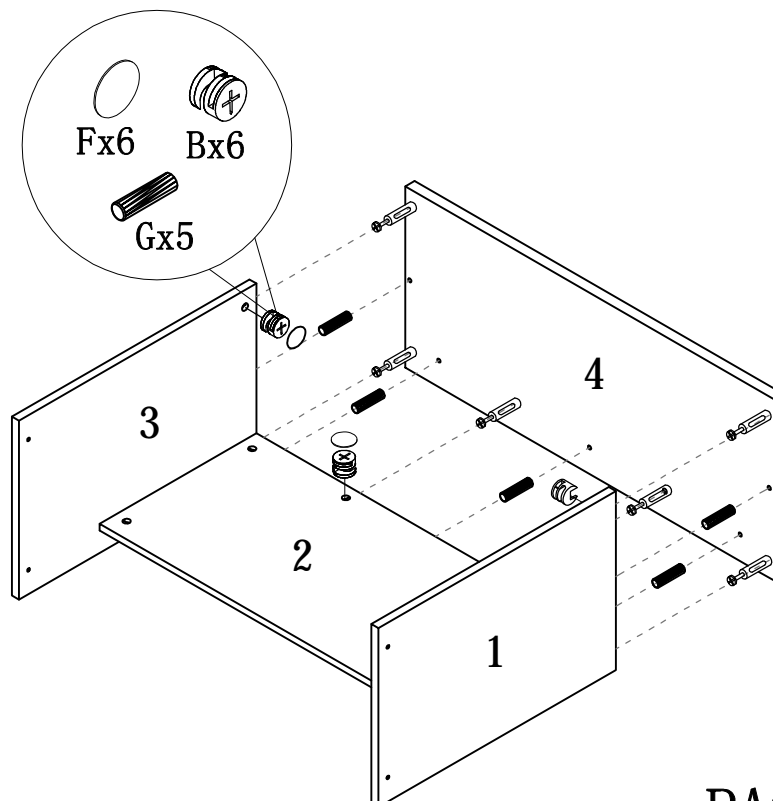
ASSEMBLY INSTRUCTION

ITEM#: 1524C、1525C、1526C、1527C
COA-55、5719-3、161525C、161571C



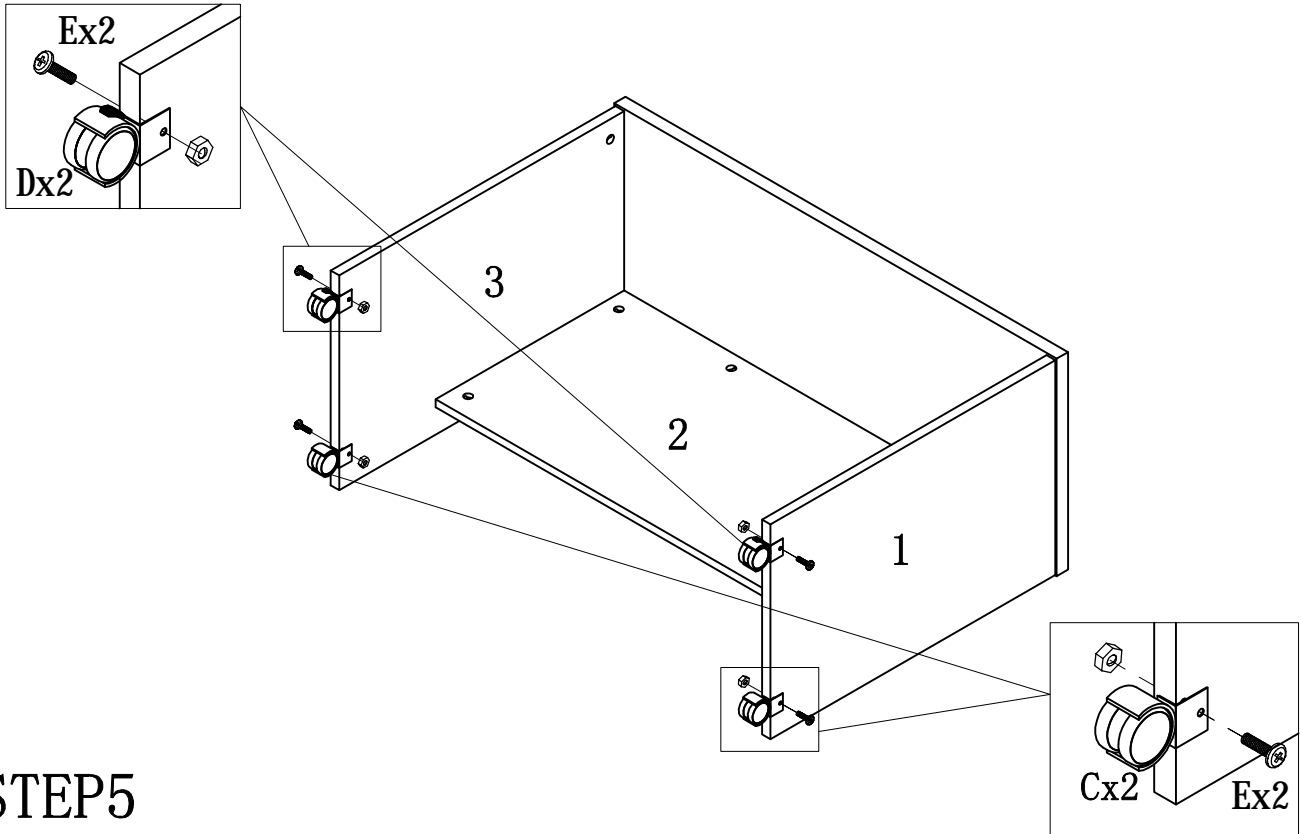
STEP3

STEP4



ASSEMBLY INSTRUCTION

ITEM#: 1524C、1525C、1526C、1527C
COA-55、5719-3、161525C、161571C



STEP5

STEP6

