

ASSEMBLY INSTRUCTION

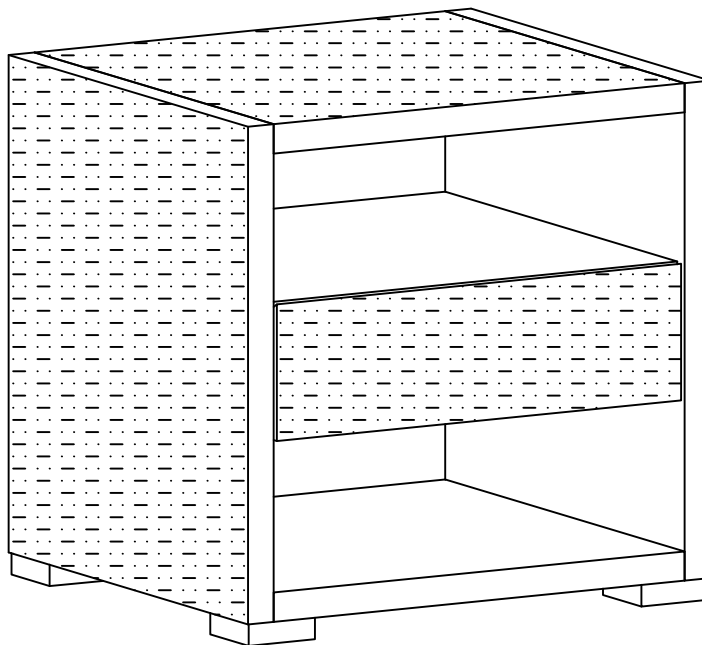
PLEASE READ BEFORE ASSEMBLING!

Tip #1: Make sure you've taken all the pieces and hardware out of its packaging before discarding the box.

Tip #2: Using page 2 and/or page 3 of instruction manual make sure all pieces and hardware are accounted for.

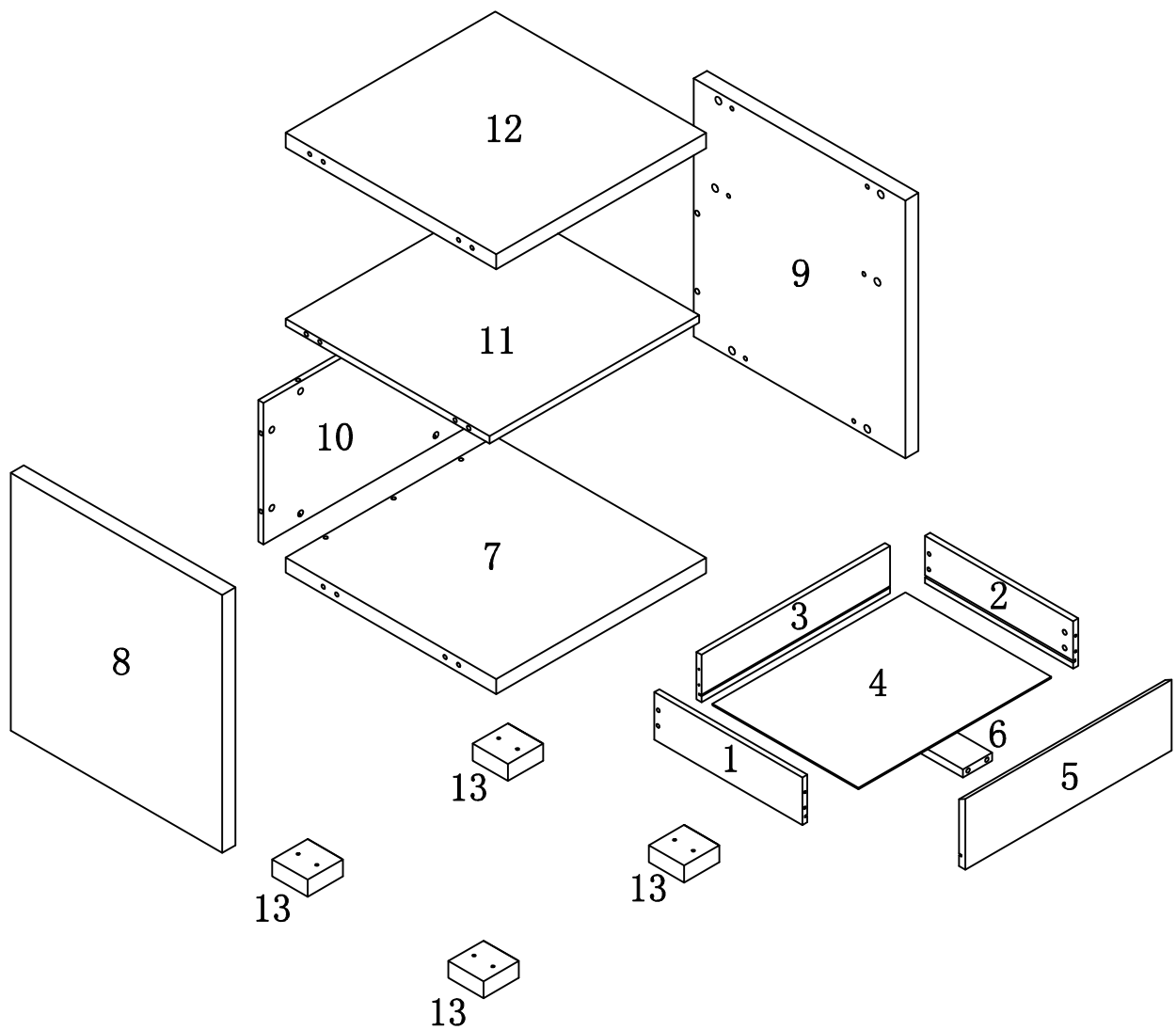
Tip #3: Read manual before assembling, it helps!

ITEM#: 151278ET



PARTS IDENTIFICATION









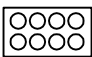

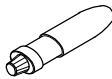
ITEM#: 151278ET



(1)	1pc	(8)	1pc
(2)	1pc	(9)	1pc
(3)	1pc	(10)	1pc
(4)	1pc	(11)	1pc
(5)	1pc	(12)	1pc
(6)	1pc	(13)	4pcs
(7)	1pc		

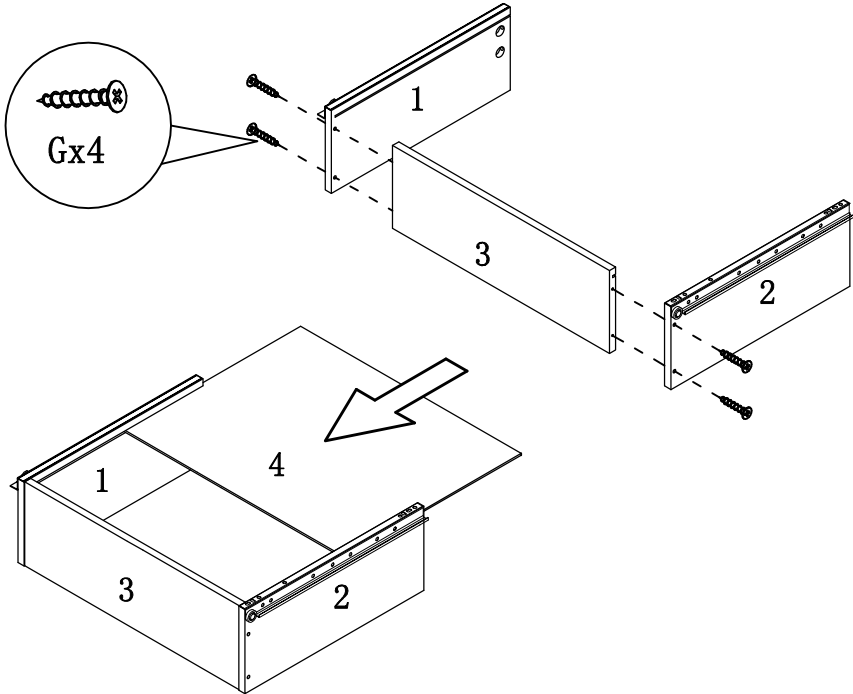
HARDWARE IDENTIFICATION

ITEM#: 151278ET

A		L29	12pcs
B		Ø15	12pcs
C		Ø8x25	12pcs
D		ET12	10pcs
E		L20	10pcs
F		Ø4x35	11pcs
G		Ø4x30	6pcs
H		Ø6x30	5pcs
I		Ø20	4pcs
J		Ø16	4pcs
K		Glue: For securing please apply to wood dowel first before inserting into panel	1pcs

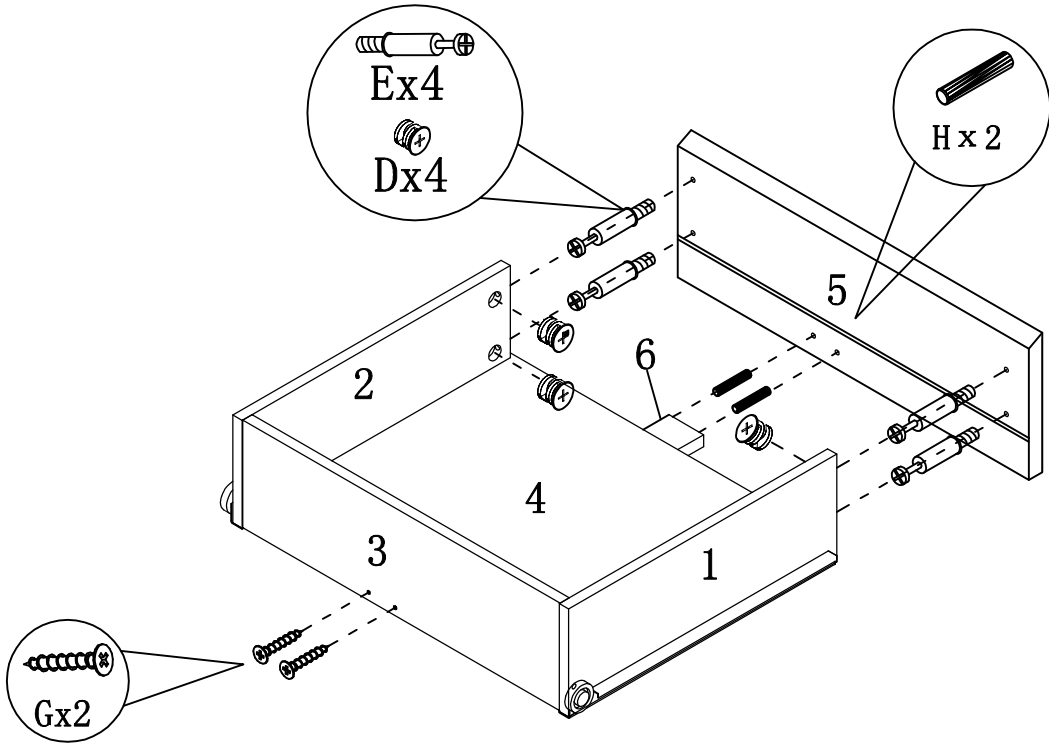
ASSEMBLY INSTRUCTION

ITEM#: 151278ET



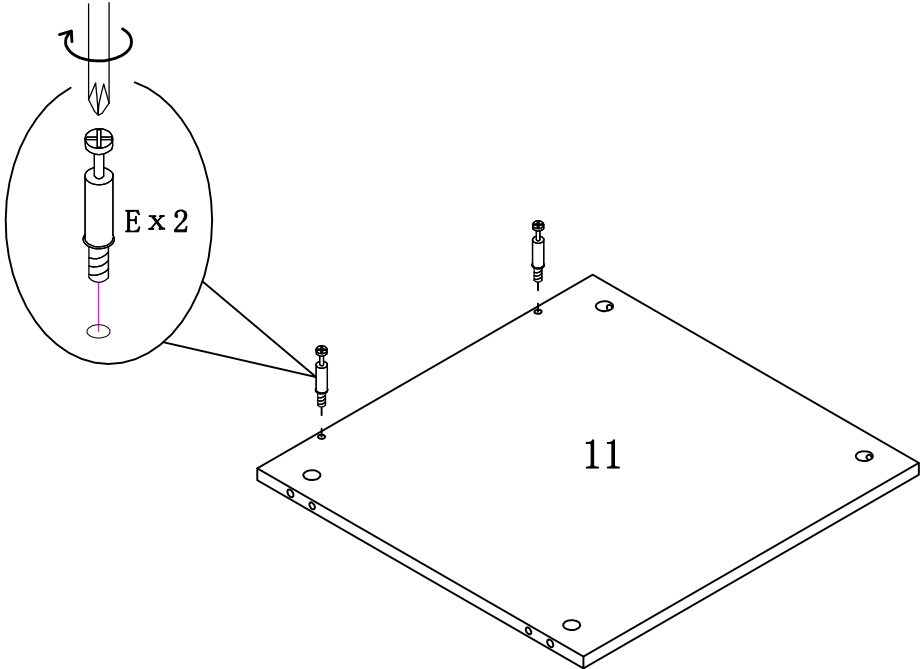
STEP 1

STEP 2



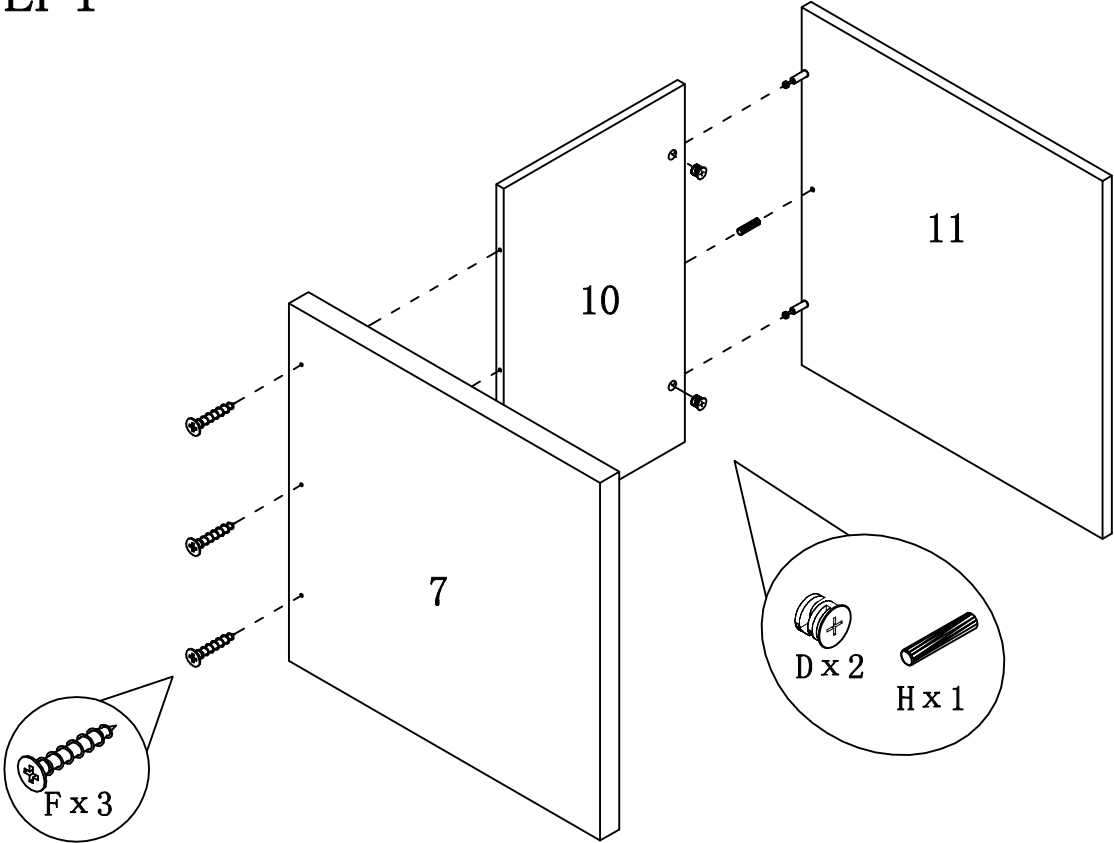
ASSEMBLY INSTRUCTION

ITEM#: 151278ET



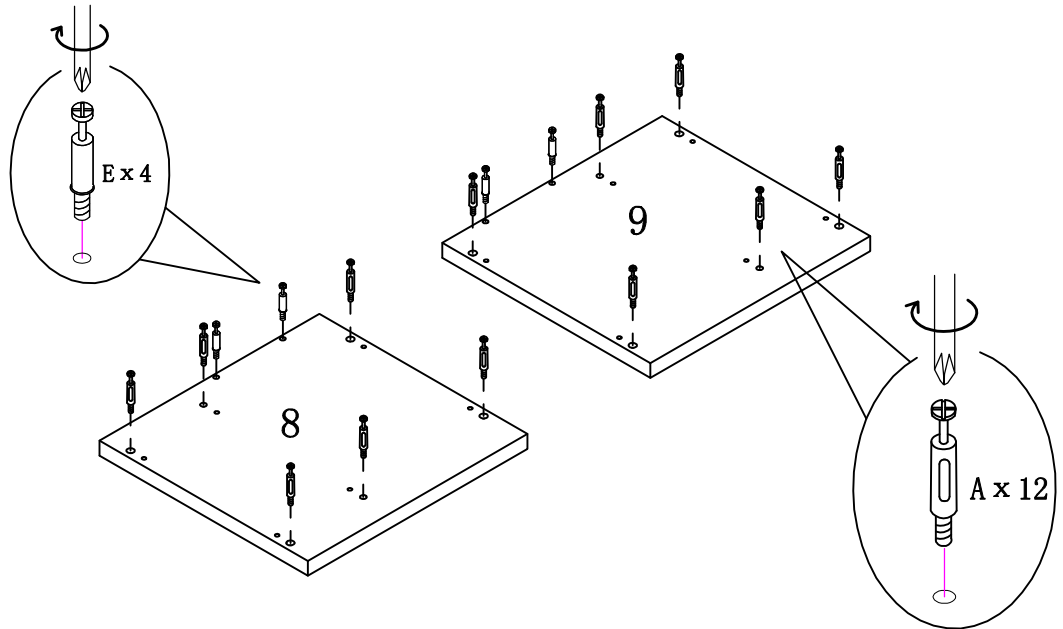
STEP3

STEP4



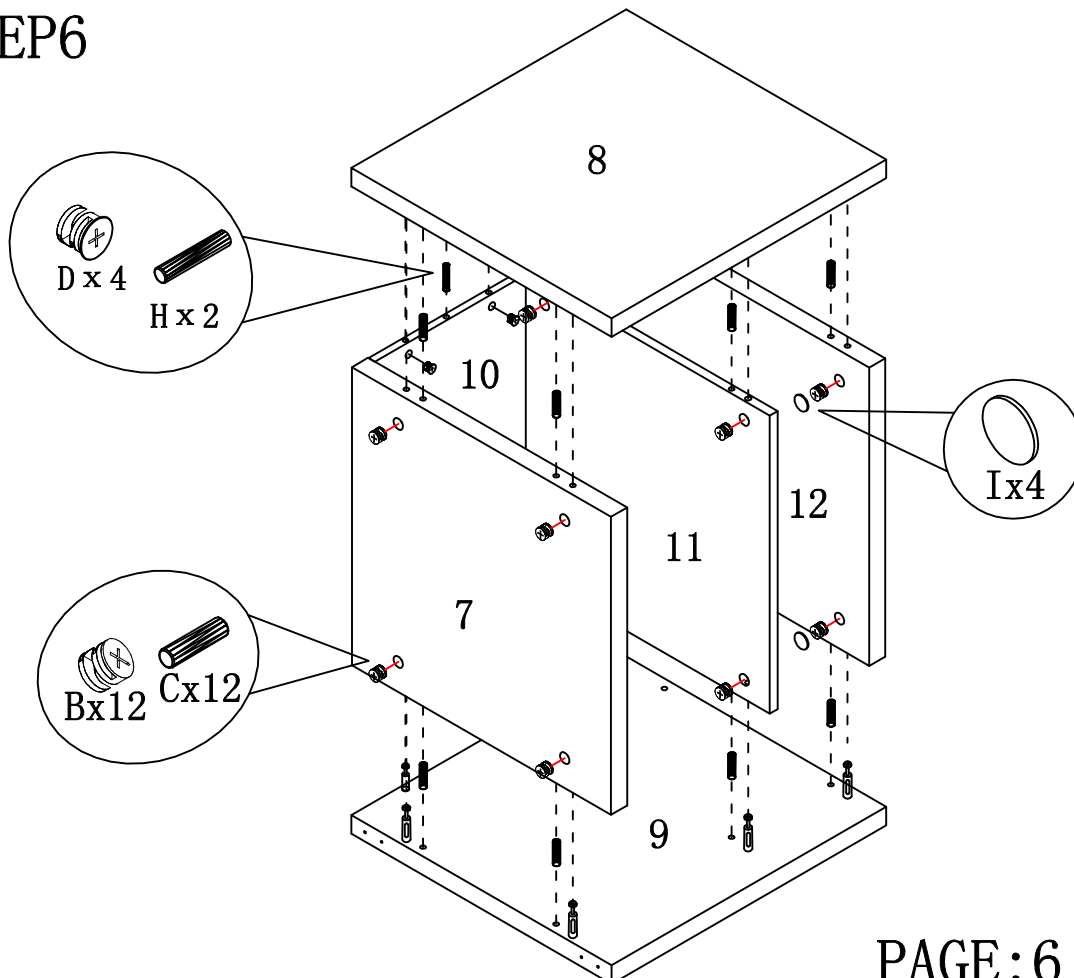
ASSEMBLY INSTRUCTION

ITEM#: 151278ET



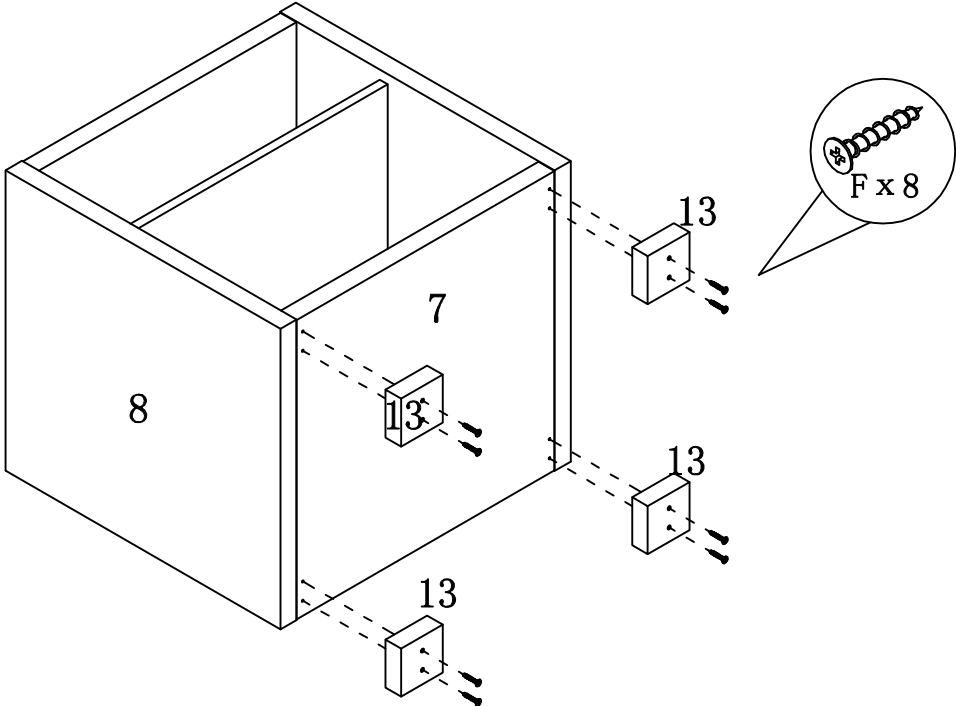
STEP 5

STEP 6



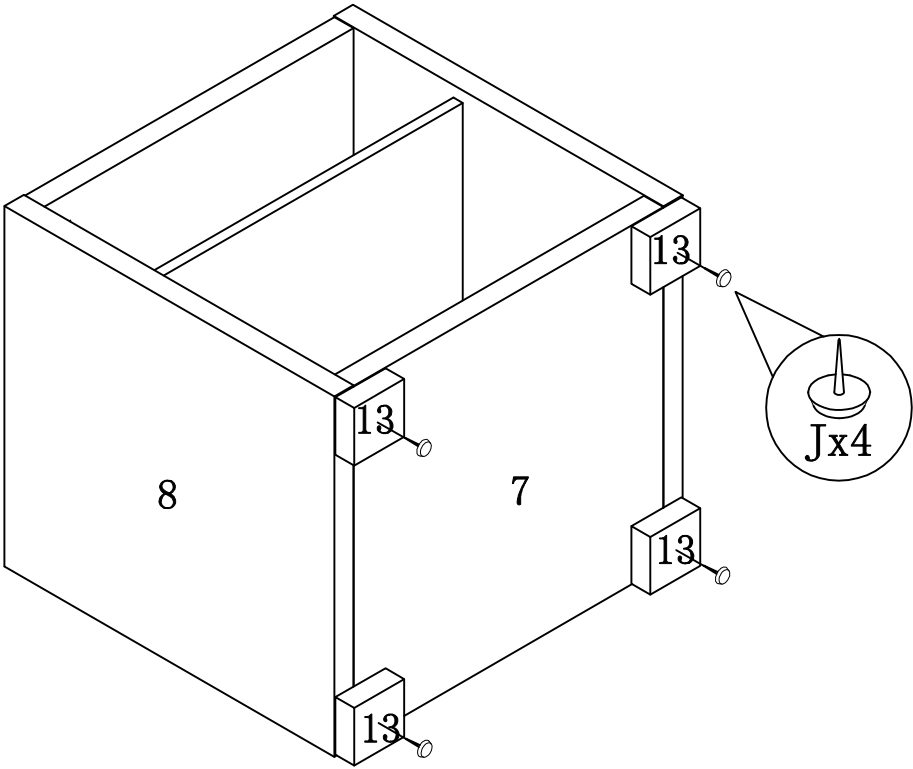
ASSEMBLY INSTRUCTION

ITEM#: 151278ET



STEP 7

STEP 8



ASSEMBLY INSTRUCTION

ITEM#: 151278ET

STEP 9

