

ASSEMBLY INSTRUCTION

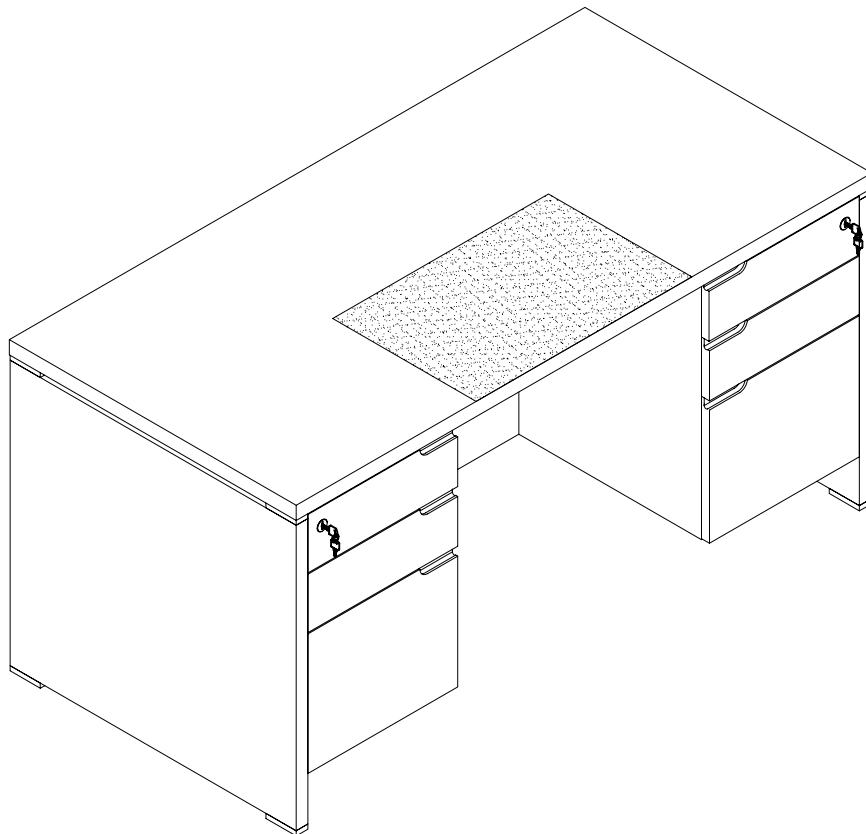
PLEASE READ BEFORE ASSEMBLING!

Tip #1: Make sure you've taken all the pieces and hardware out of its packaging before discarding the box.

Tip #2: Using page 2 and/or page 3 of instruction manual make sure all pieces and hardware are accounted for.

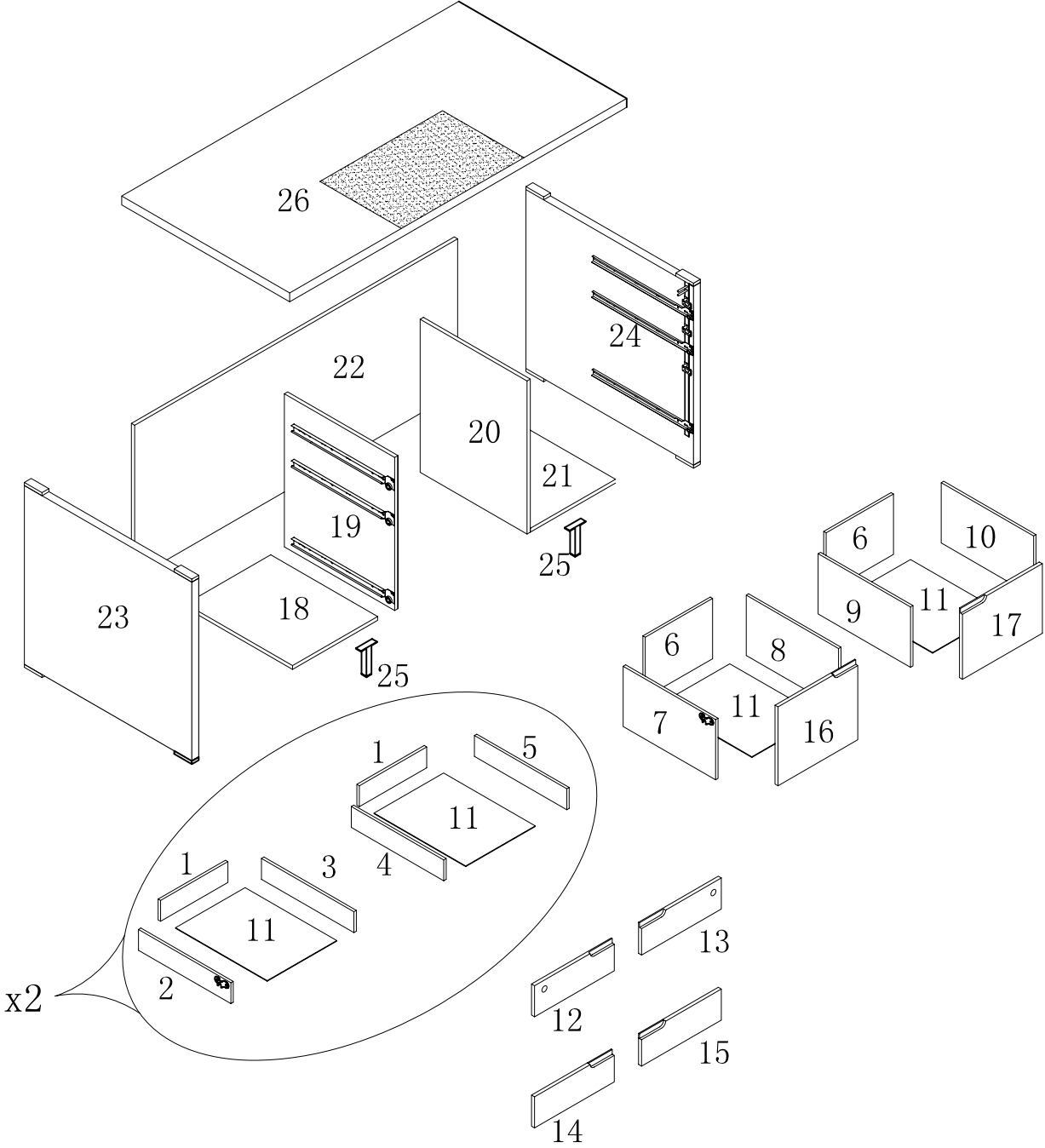
Tip #3: Read manual before assembling, it helps!

ITEM# 10325 171923



PARTS IDENTIFICATION


ITEM#: 10325

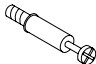



(1)	4pcs	(8)	1pc	(15)	1pc	(22)	1pc
(2)	2pcs	(9)	1pc	(16)	1pc	(23)	1pc
(3)	2pcs	(10)	1pc	(17)	1pc	(24)	1pc
(4)	2pcs	(11)	6pcs	(18)	1pc	(25)	2pcs
(5)	2pcs	(12)	1pc	(19)	1pc	(26)	1pc
(6)	2pcs	(13)	1pc	(20)	1pc		
(7)	1pc	(14)	1pc	(21)	1pc		


HARDWARE IDENTIFICATION

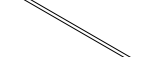
ITEM#: 10325

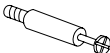
A  $\phi 4 \times 30$ 28pcs


B  L20 24pcs


C  $\phi 12$ 24pcs

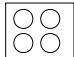
D  $\phi 6 \times 30$ 4pcs


E  $\phi 5 \times 344$ 4pcs


F  L29 26pcs


G  $\phi 15$ 26pcs

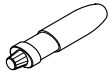
H  $\phi 8 \times 25$ 21pcs

I  $\phi 18$ 4pcs

J  $\phi 4 \times 16$ 4pcs

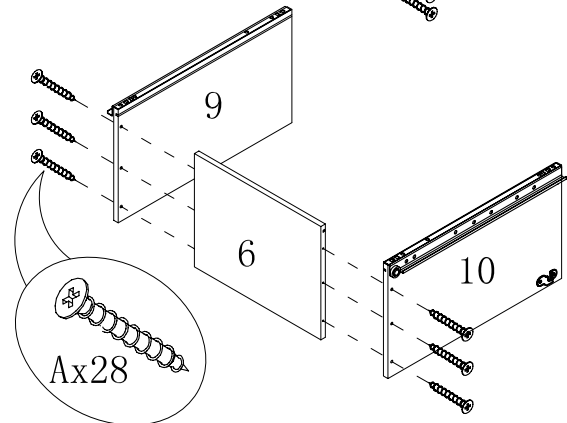
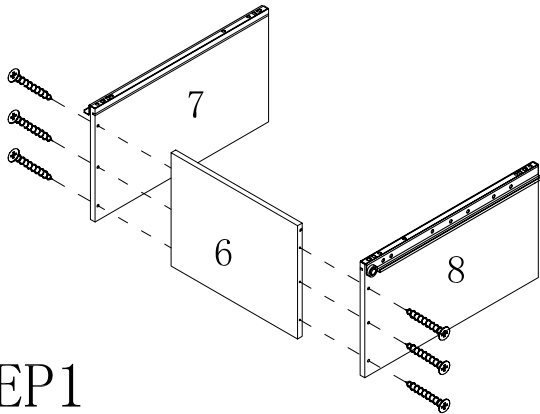
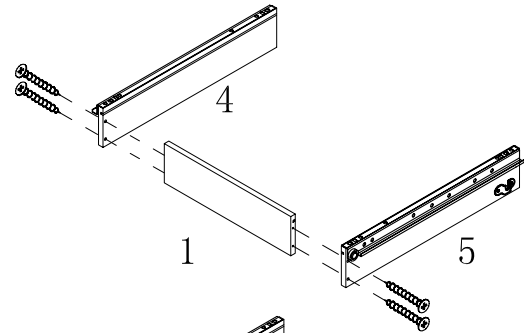
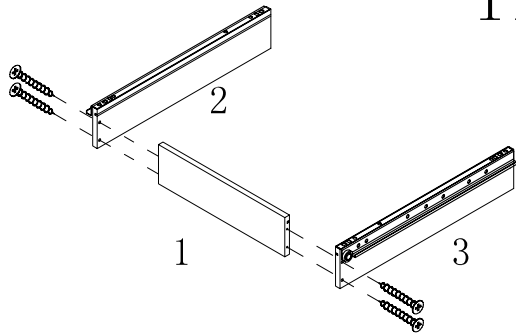
K  $\phi 17$ 2sets

L  $\phi 3.5 \times 12$ 4pcs

M  **Glue: For securing please apply to wood dowel first before inserting into panel** 1pc

ASSEMBLY INSTRUCTION

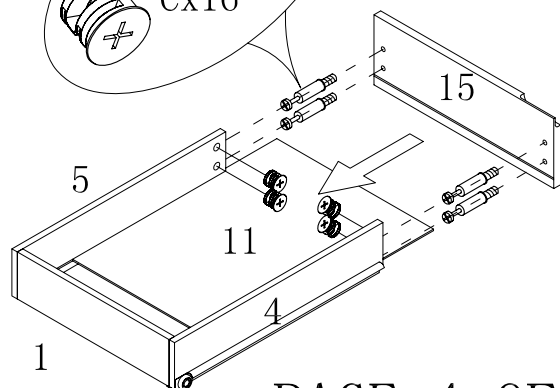
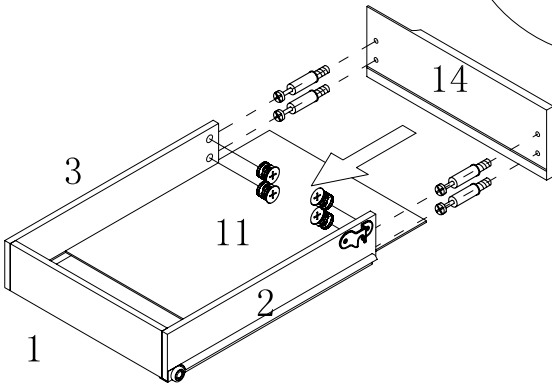
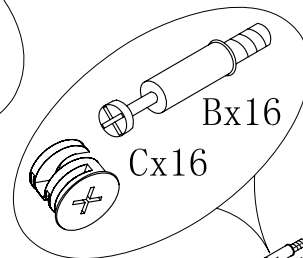
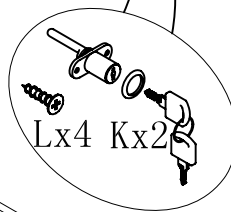
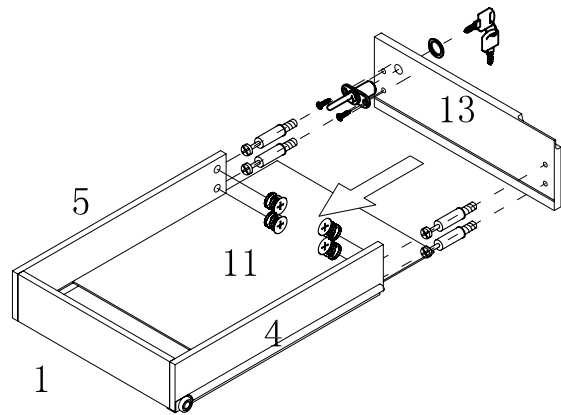
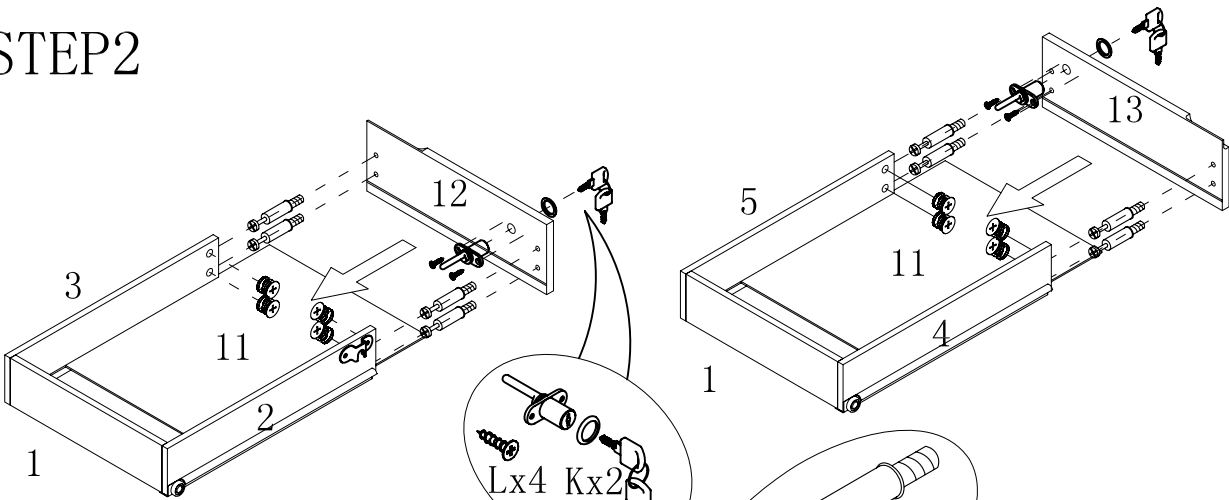
ITEM#: 10325



STEP 1

Ax28

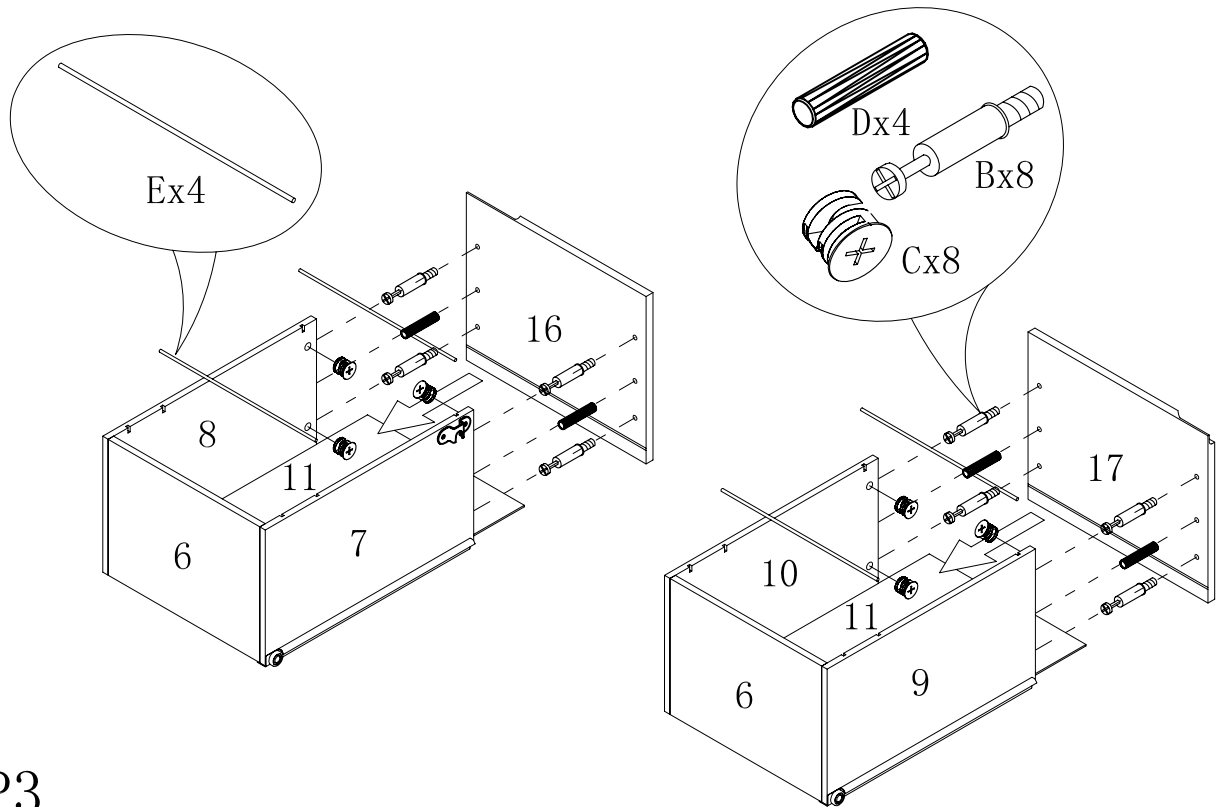
STEP 2



PAGE: 4 OF 7

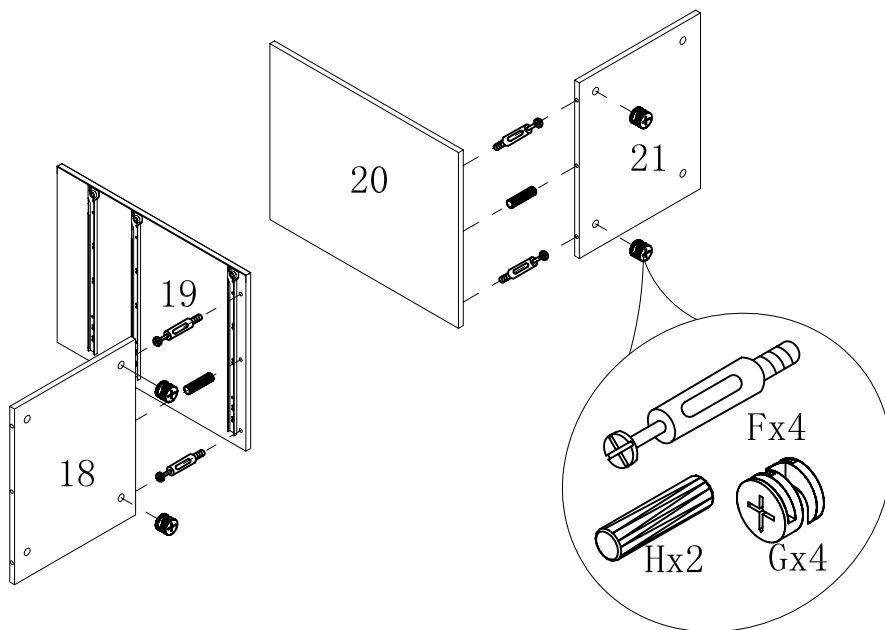
ASSEMBLY INSTRUCTION

ITEM#: 10325



STEP3

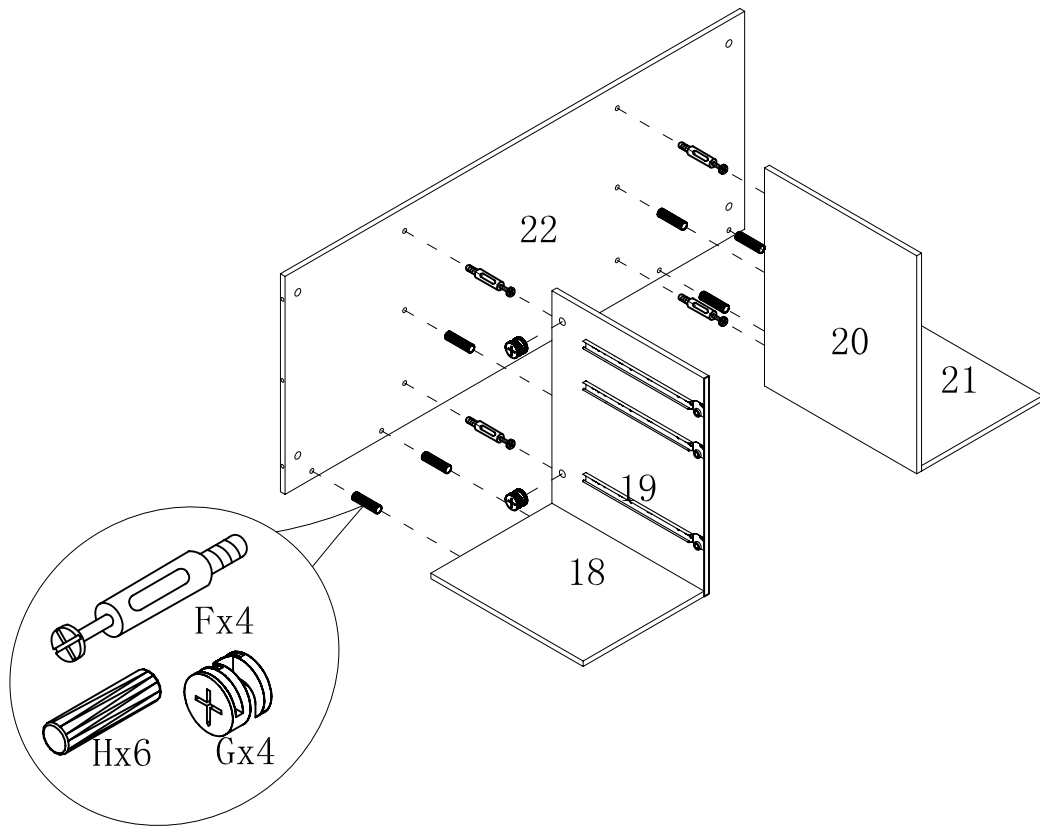
STEP4



PAGE:5 OF 7

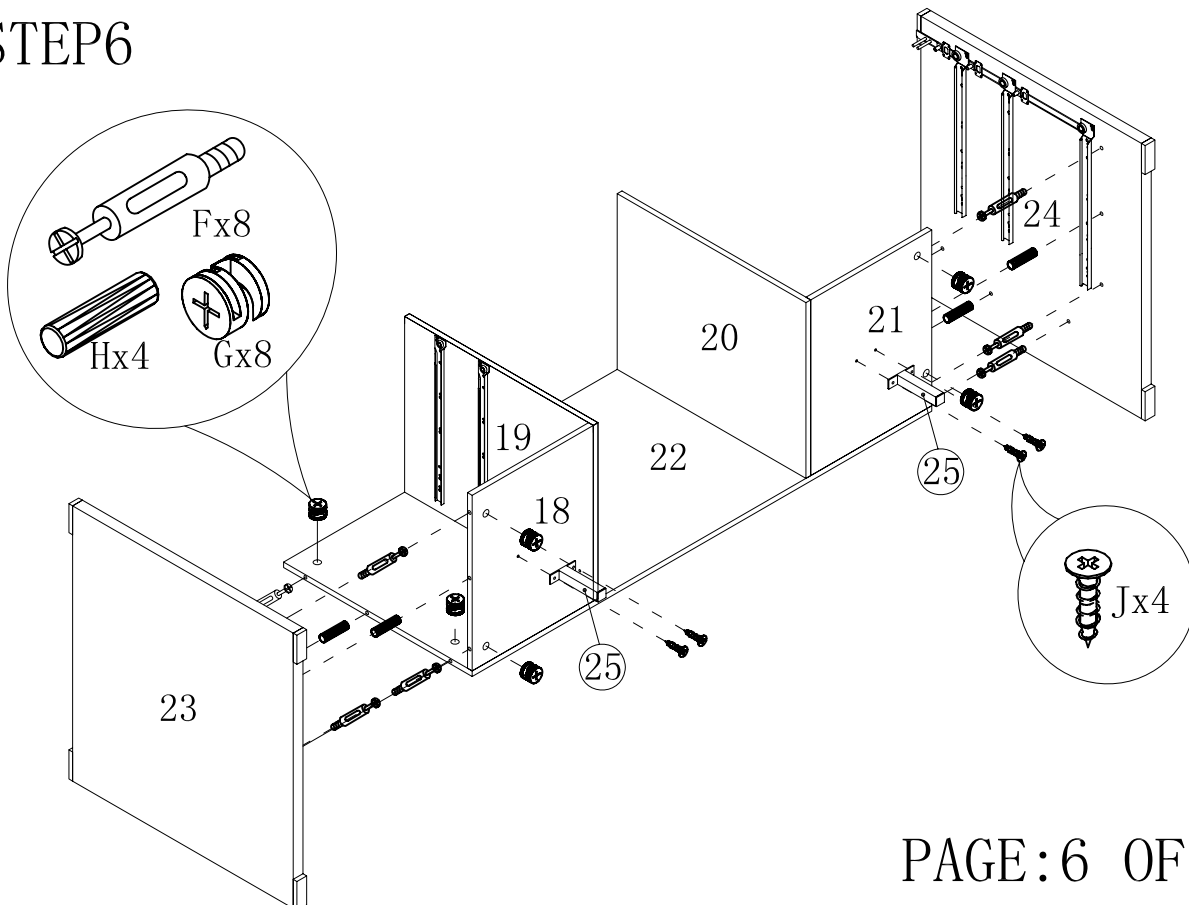
ASSEMBLY INSTRUCTION

ITEM#: 10325



STEP5

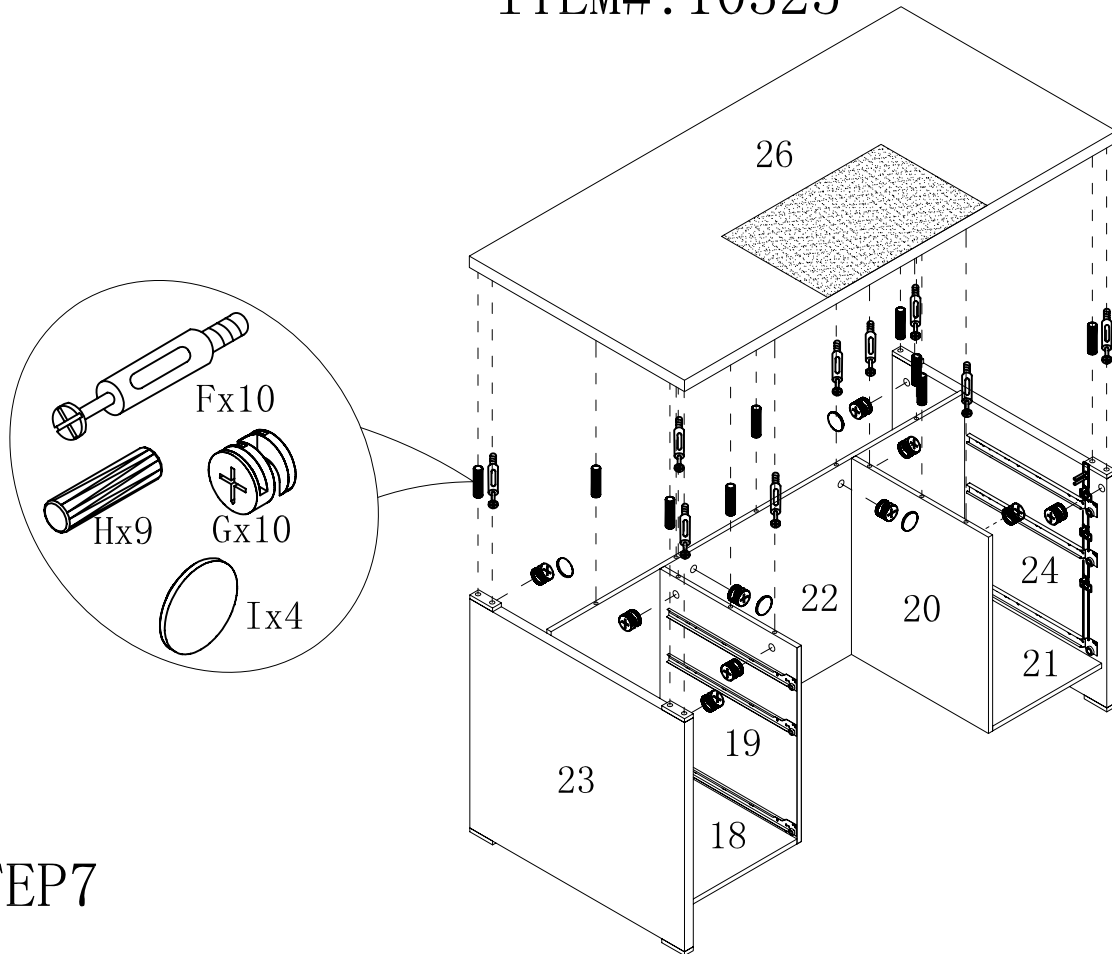
STEP6



PAGE:6 OF 7

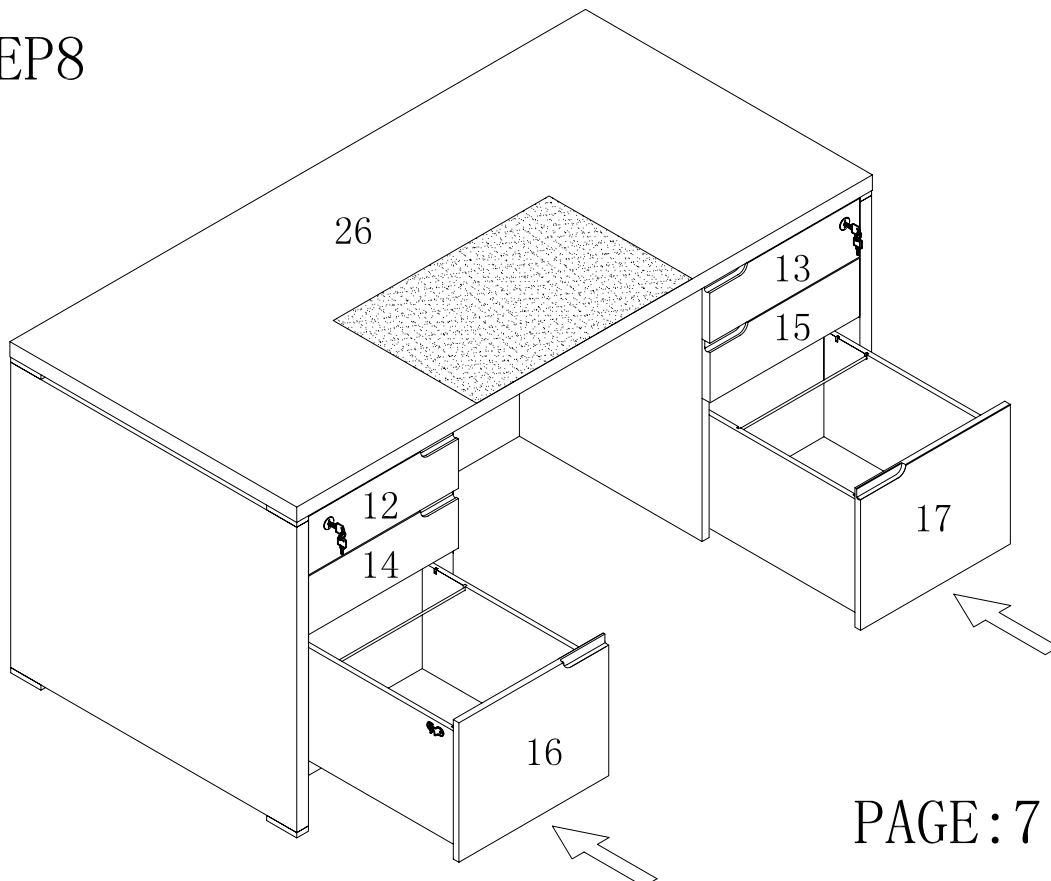
ASSEMBLY INSTRUCTION

ITEM#: 10325



STEP 7

STEP 8



PAGE: 7 OF 7