

ASSEMBLY INSTRUCTION

PLEASE READ BEFORE ASSEMBLING!

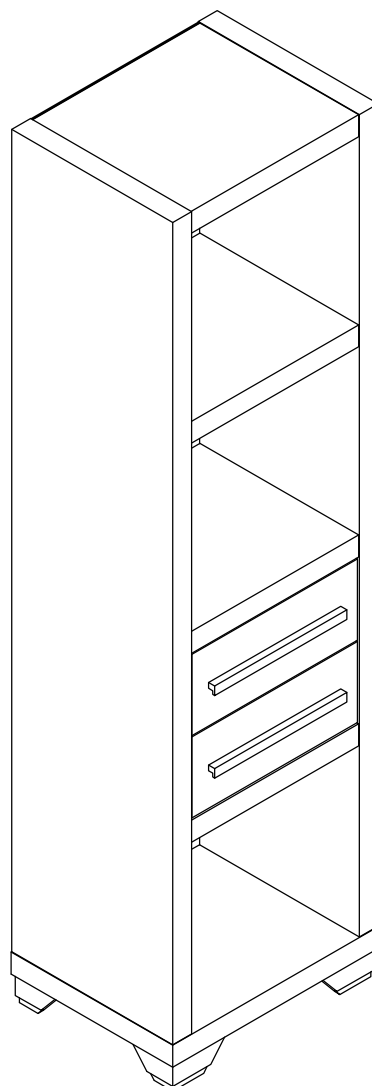
Tip #1: Make sure you've taken all the pieces and hardware out of its packaging before discarding the box.

Tip #2: Using page 2 and/or page 3 of instruction manual make sure all pieces and hardware are accounted for.

Tip #3: Read manual before assembling, it helps!

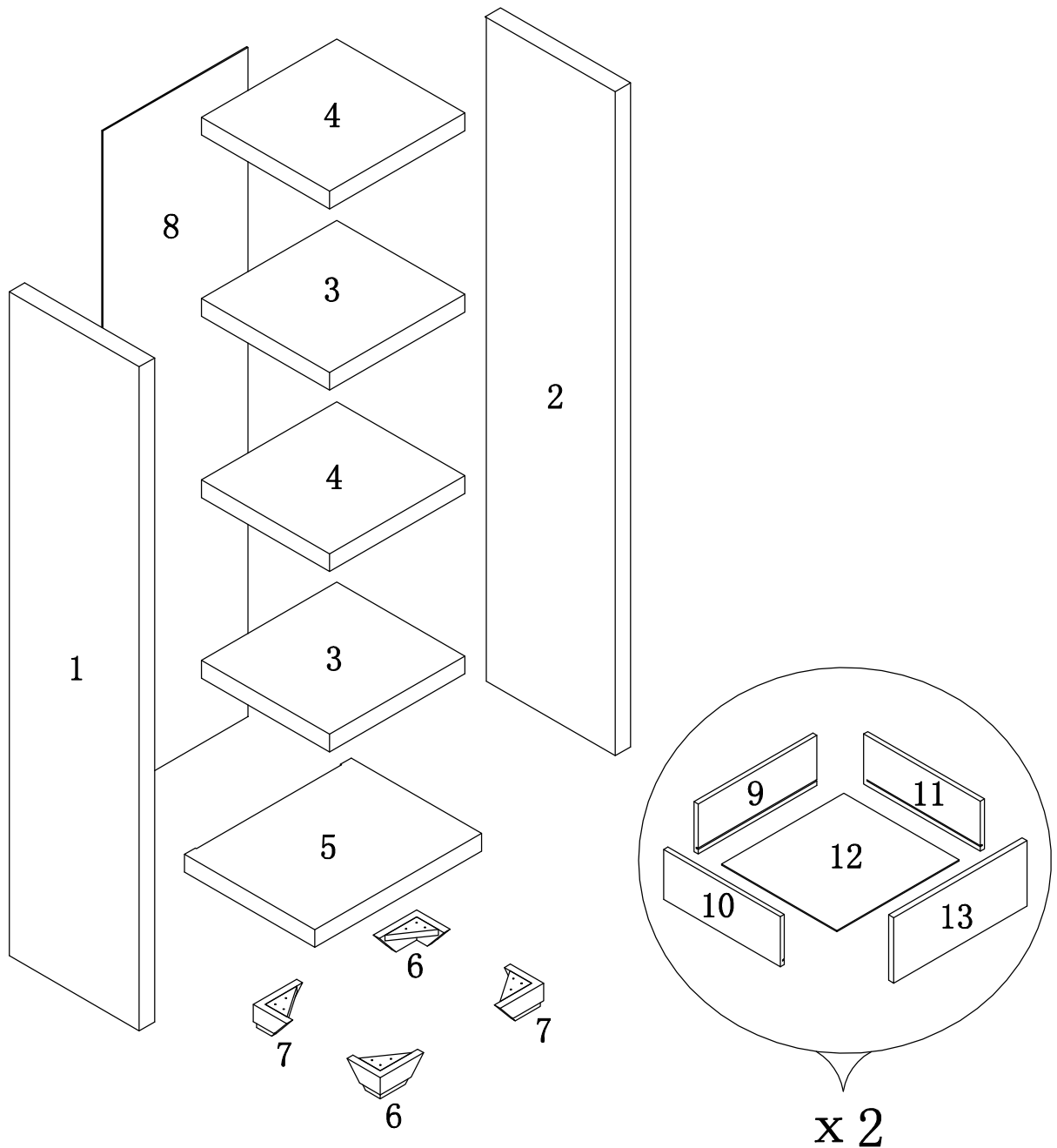
ITEM#: 27062P/151300P/171916P

Need some help?
Scan here for
assembly video.



PARTS IDENTIFICATION

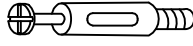


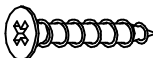

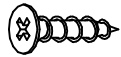
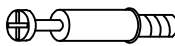



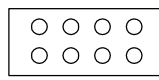
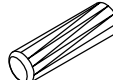

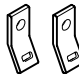
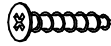
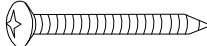
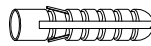


ITEM#: 27062P/151300P/171916P



(1)	1pc	(6)	2pcs	(11)	2pcs
(2)	1pc	(7)	2pcs	(12)	2pcs
(3)	2pcs	(8)	1pc	(13)	2pcs
(4)	2pcs	(9)	2pcs		
(5)	1pc	(10)	2pcs		

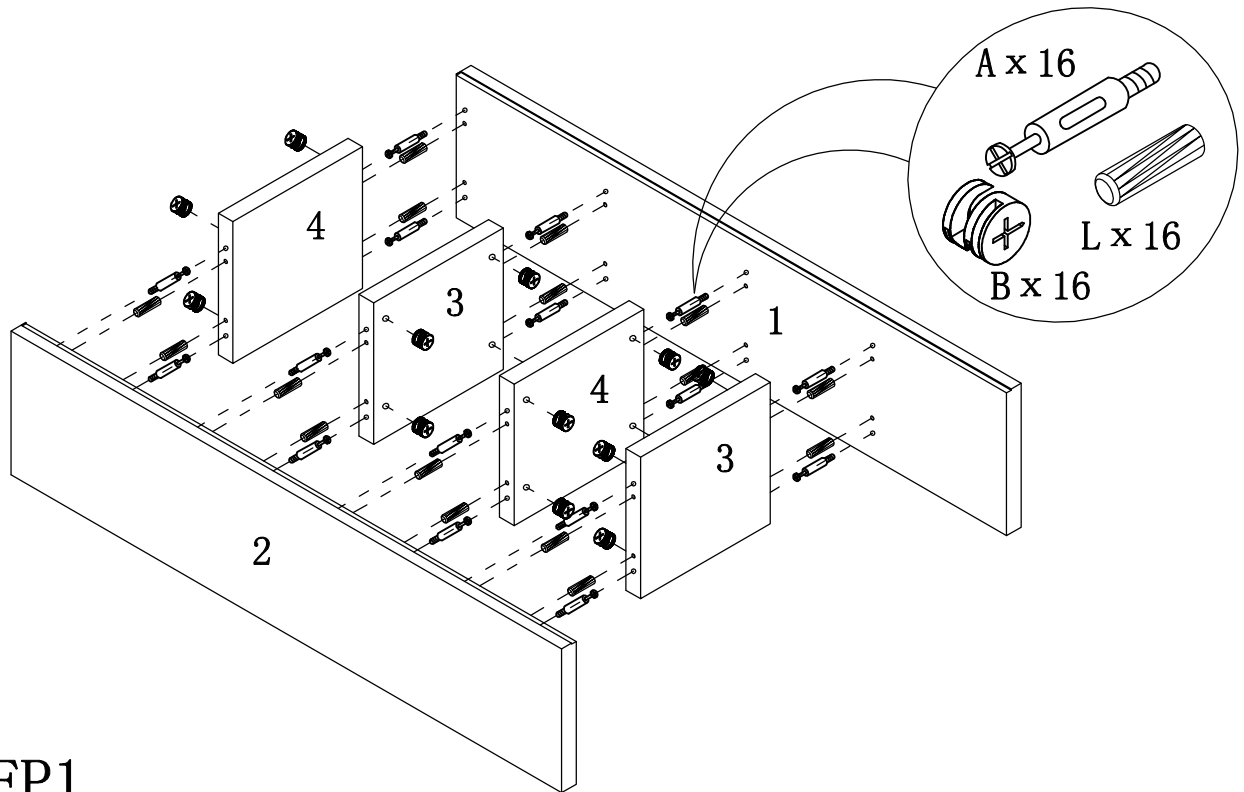
HARDWARE IDENTIFICATION

ITEM#: 27062P/151300P/171916P

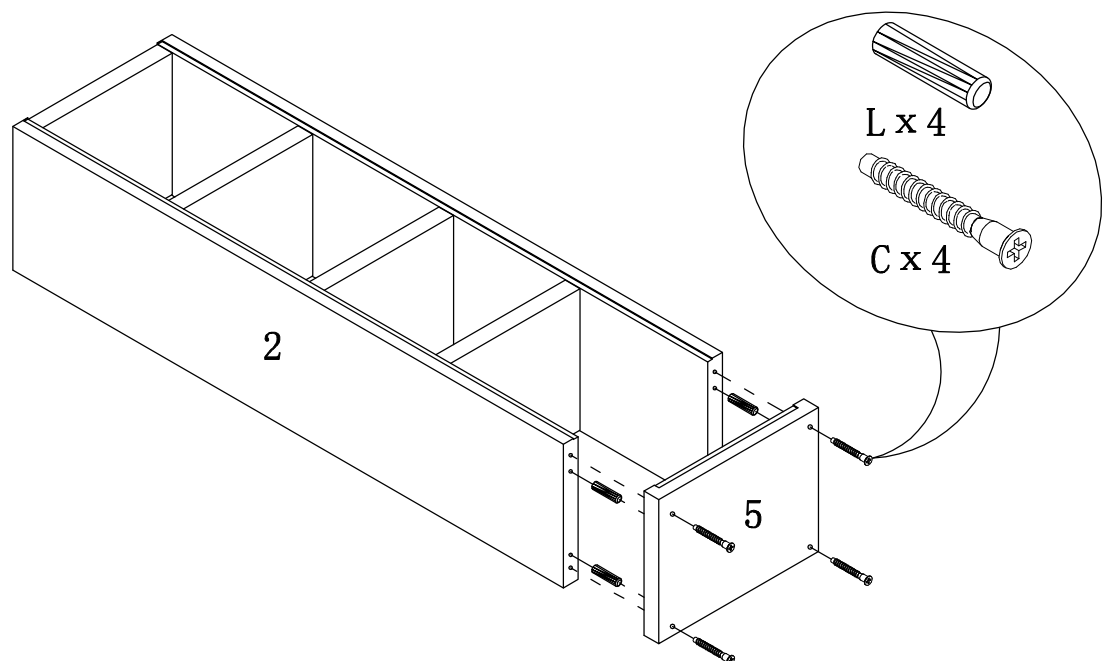
A		L29	16pcs
B		ϕ 15	16pcs
C		ϕ 7 x 58	4pcs
D		ϕ 4 x 35	12pcs
E			45pcs
F		ϕ 4 x 30	8pcs
G		L20	8pcs
H		ϕ 12	8pcs
I		256MM	2pcs
J		ϕ 4 x 22	4pcs
K		ϕ 20	8pcs
L		ϕ 8 x 25	20pcs
M			1pc
N			2pc
O		ϕ 4 x 25	1pc
P		ϕ 5 x 40	1pc
Q			1pc
R		ϕ 16	4pc
S		Glue: For securing please apply to wood dowel first before inserting into panel	1pc

ASSEMBLY INSTRUCTION

ITEM#: 27062P/151300P/171916P

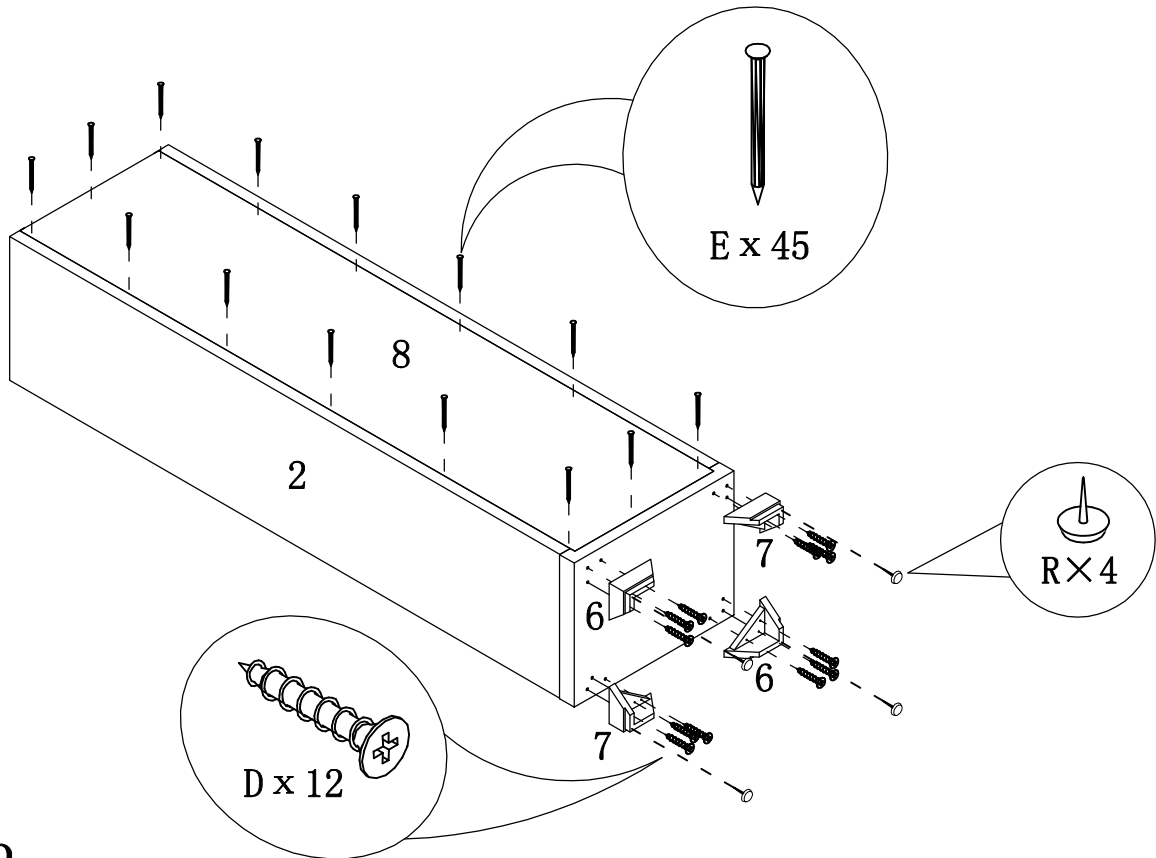


STEP 2



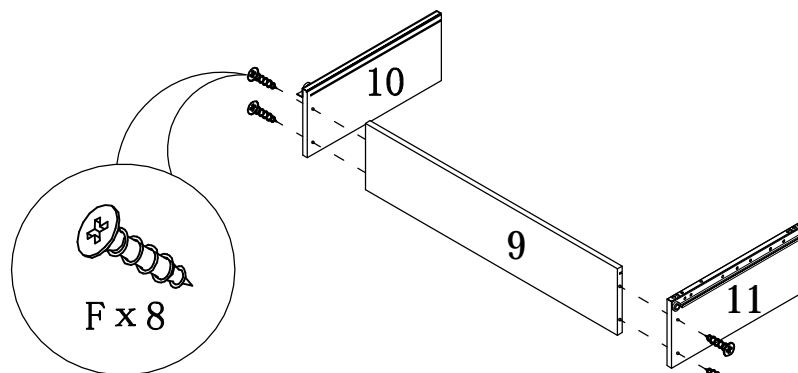
ASSEMBLY INSTRUCTION

ITEM#: 27062P/151300P/171916P



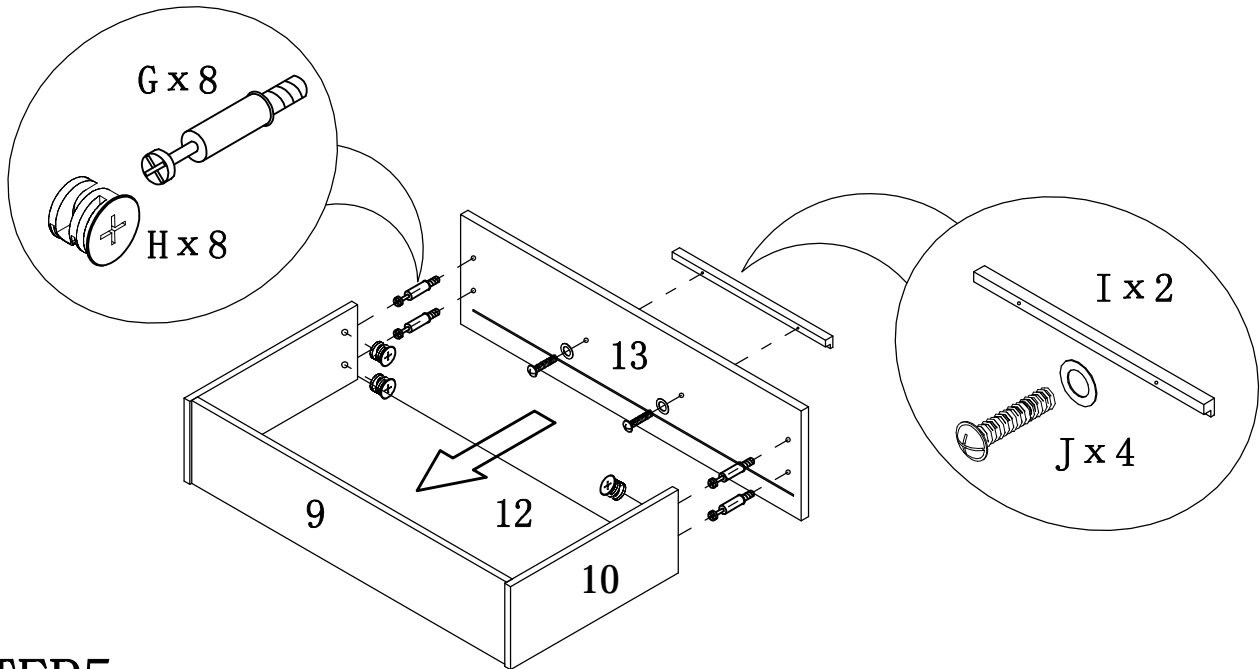
STEP3

STEP4



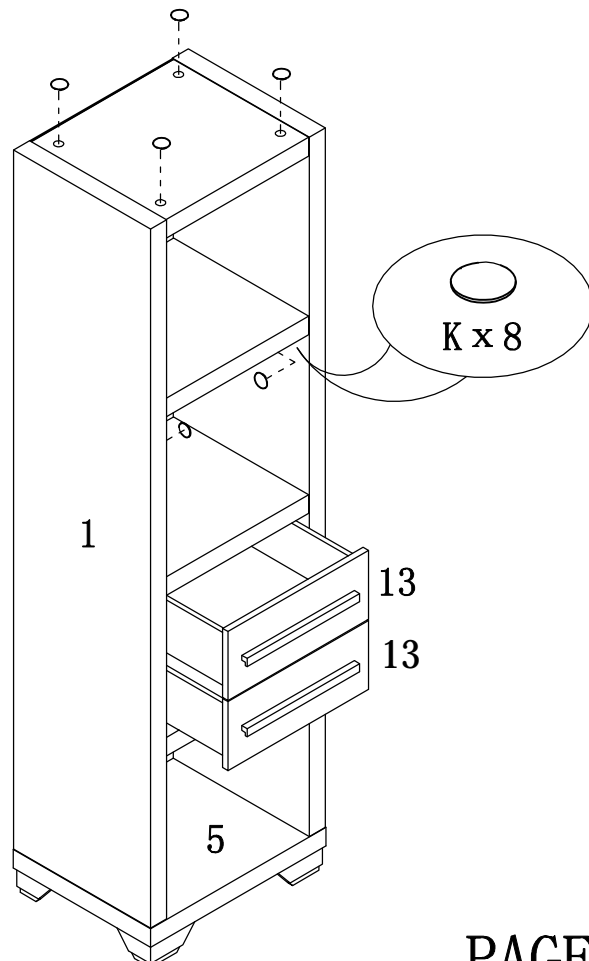
ASSEMBLY INSTRUCTION

ITEM#: 27062P/151300P/171916P



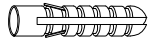
STEP5

STEP6

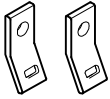


ANTI-TIPPING STRAP INSTRUCTION

HARDWARE (INCLUDED) :



DRYWALL ANCHOR $\phi 8 \times 40$ X 1PC



METAL BRACKETS $12 \times 12 \times 1$ X 2PCS



DRYWALL SCREW $\phi 5 \times 40$ X 1PC

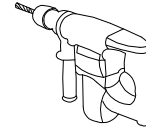


STRAP $197 \times 5 \times 1$ X 1PC

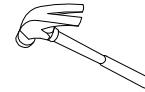


FLATHEAD SCREW $\phi 4 \times 25$ X 1PC

TOOLS NEEDED (NOT INCLUDED) :



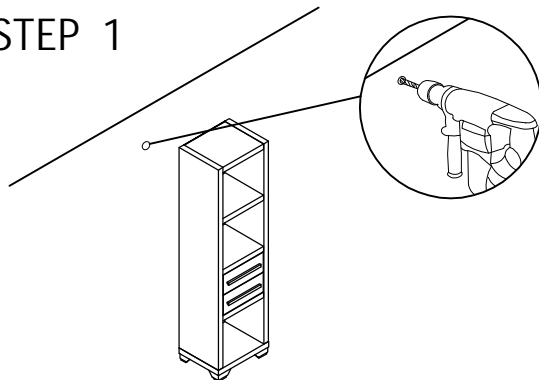
DRILL & DRILL BIT



LIGHT HAMMER

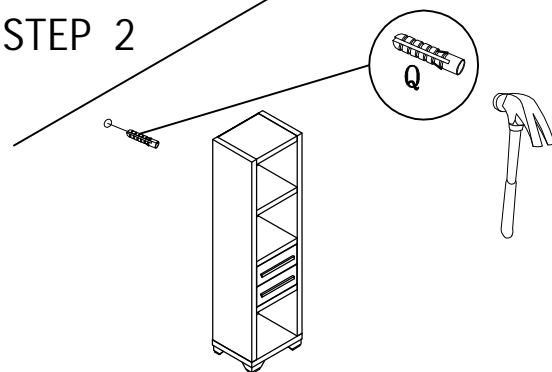
Note: Hardware included only compatible with standard drywalls.

STEP 1



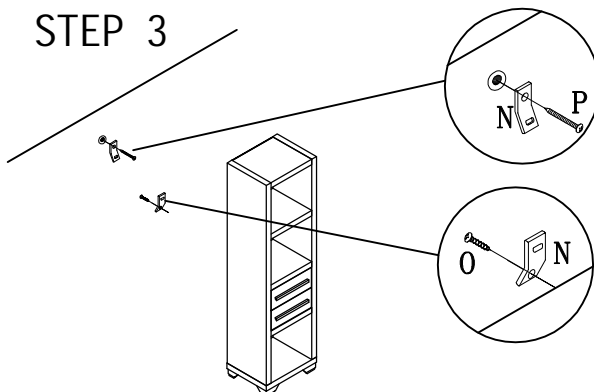
1. Find spot on wall 1" below top of item.
2. Using a drill bit slightly thinner than anchor, drill hole into drywall.

STEP 2



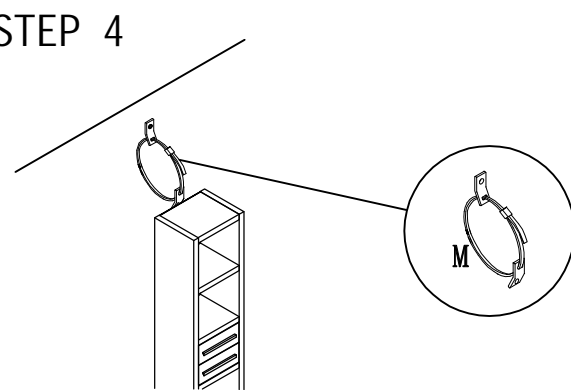
1. Use a light hammer to tap anchor into hole.
2. Anchor should fit snugly. If hole is too small, drill again to increase hole size. Do not force anchor into wall.

STEP 3



1. Insert drywall screw into metal bracket and into drywall anchor.
2. Insert flathead screw into second metal bracket and into back of item. along top edge.

STEP 4



1. Insert strap thru bracket attached to wall. then thru bracket on item, and into head of strap.
 2. pull lightly til strap stops.
- Assembly is complete.