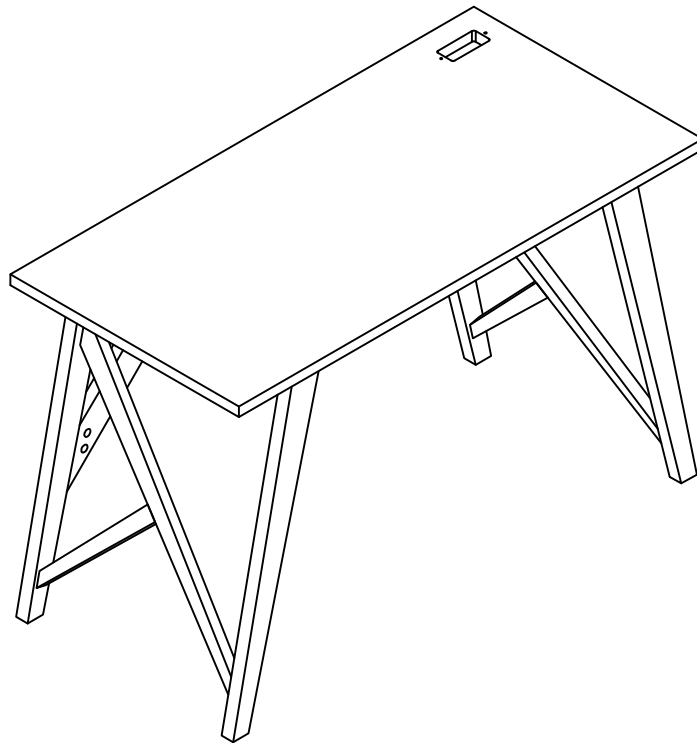


ASSEMBLY INSTRUCTION

ITEM#: 212873



ASSEMBLY INSTRUCTION

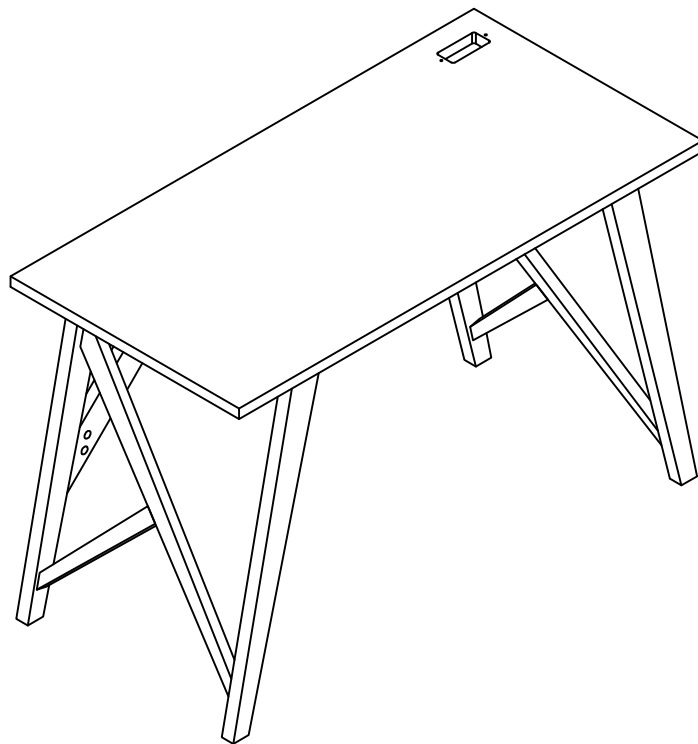
PLEASE READ BEFORE ASSEMBLING!

Tip #1: Make sure you've taken all the pieces and hardware out of its packaging before discarding the box. Assembly on top of flattened box/blanket is recommended.

Tip #2: Using page 2 and/or page 3 of instruction manual make sure all pieces and hardware are accounted for.

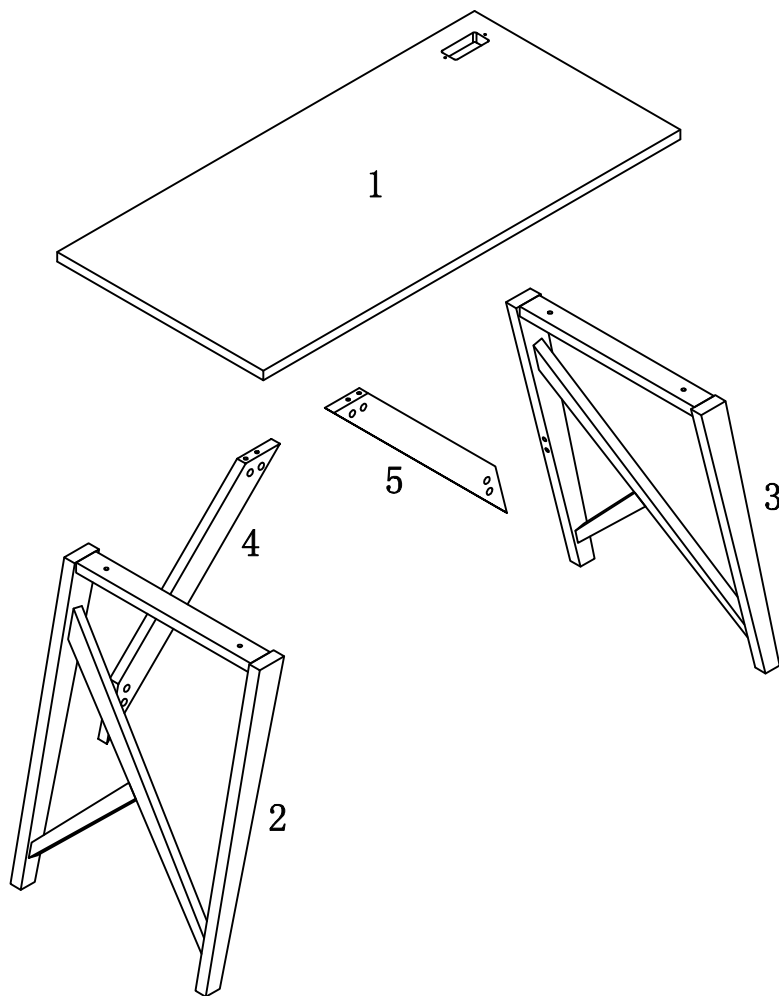
Tip #3: Note position of all holes on each panel during assembly.

ITEM#: 212873



PARTS IDENTIFICATION

ITEM#: 212873



- | | |
|-----|-----|
| (1) | 1pc |
| (2) | 1pc |
| (3) | 1pc |
| (4) | 1pc |
| (5) | 1pc |

HARDWARE IDENTIFICATION

ITEM#: 212873

A
B
C
D
E
F
G
H
I
J



L29

8pcs



ø15

8pcs



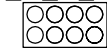
ø8x25

2pcs



ø4x16

2pcs



ø22

8pcs



M8x40

4pcs



ø16xø8x2

4pcs



M5

1pc



ø16

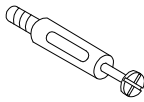

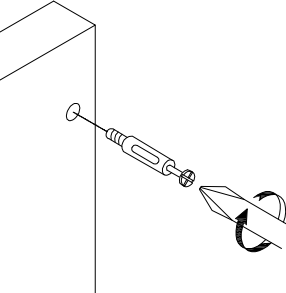
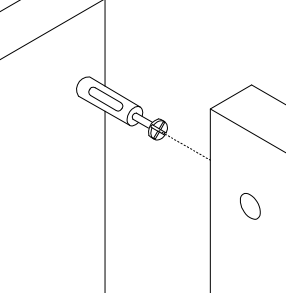
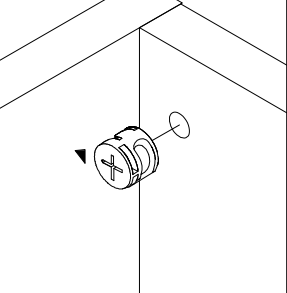
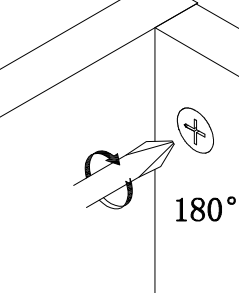
4pcs



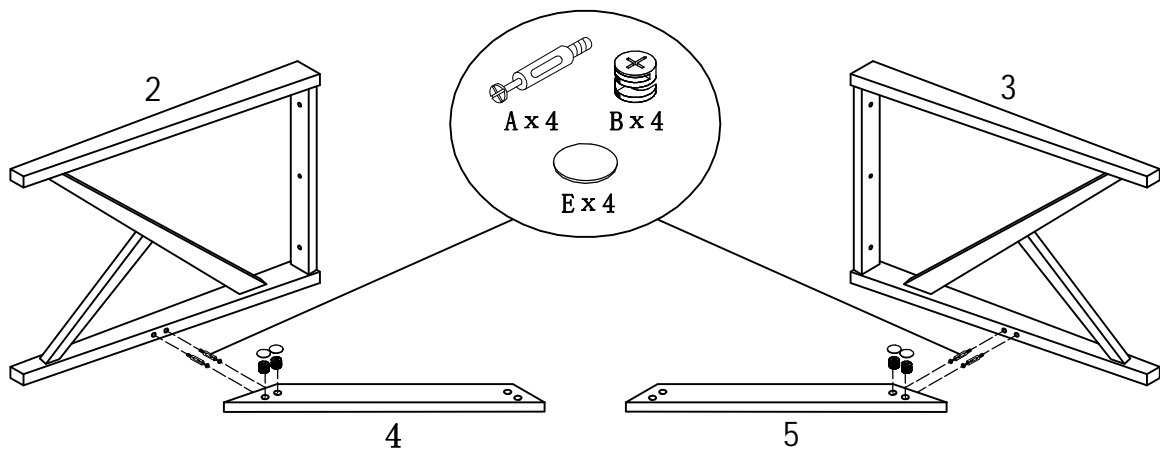
1pc

ASSEMBLY INSTRUCTION

ITEM#: 212873

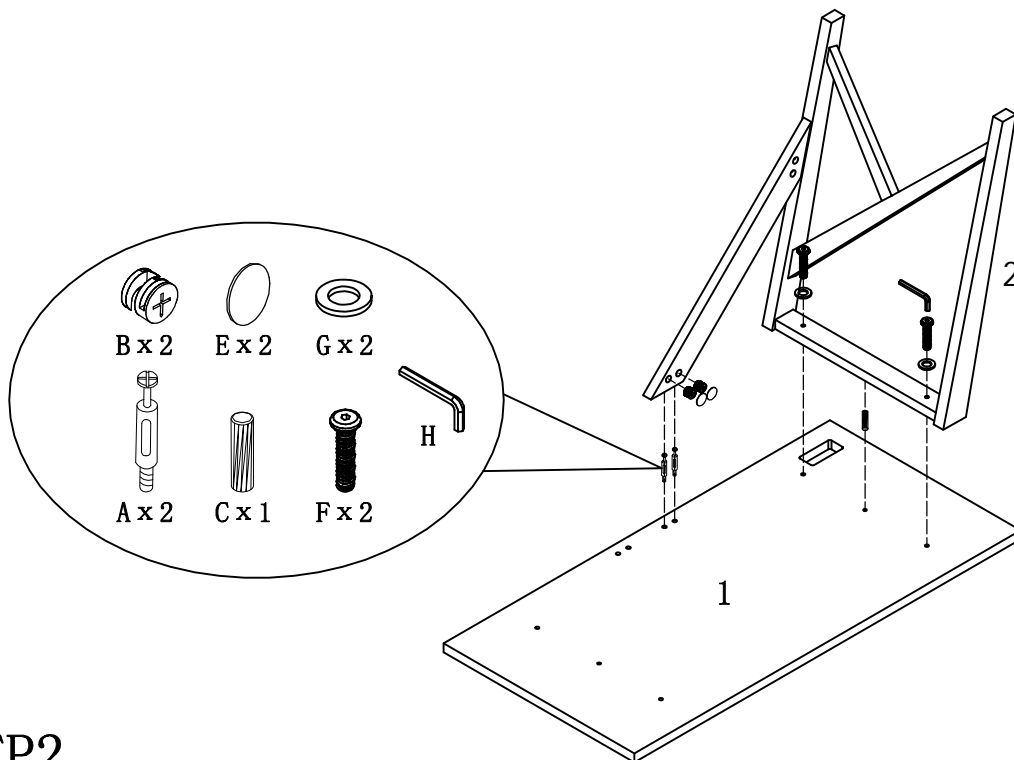
HOW TO	1	2	3	4
 Cam Bolt  Cam Lock				
	1. Screw Cam Bolt into panel.	2. Insert Cam Bolt into bolt hole of joining panel.	3. Insert Cam Lock. arrow facing bolt.	4. Gently turn Cam Lock clockwise to lock position.

STEP 1



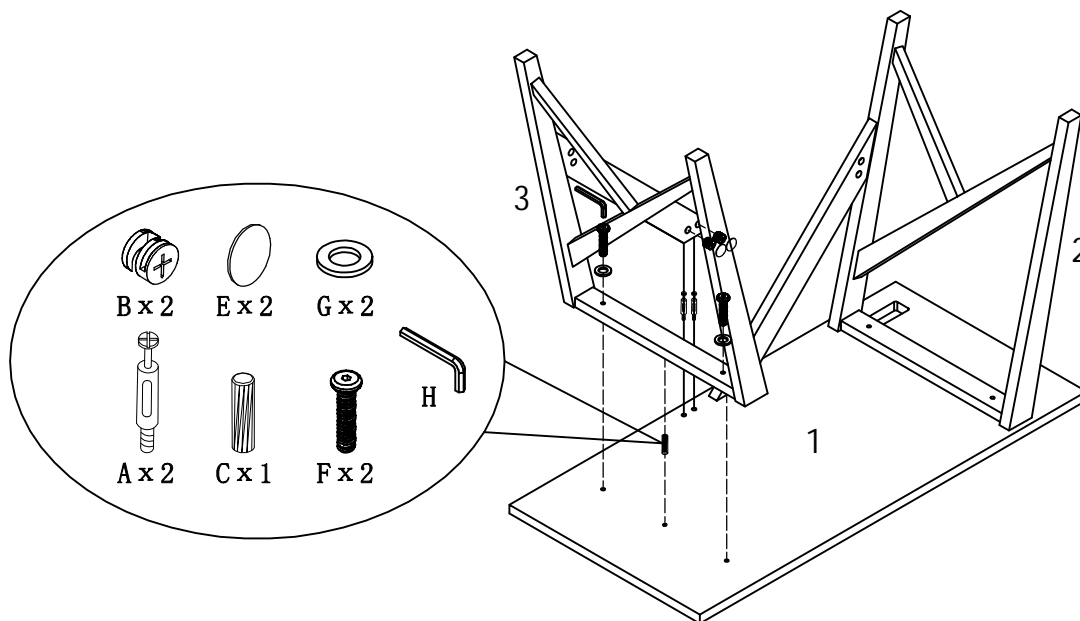
ASSEMBLY INSTRUCTION

ITEM#: 212873



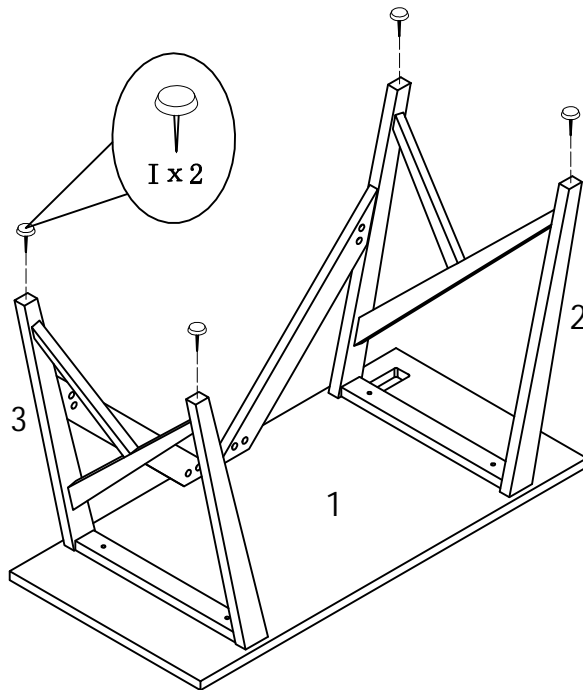
STEP 2

STEP 3



ASSEMBLY INSTRUCTION

ITEM#: 212873



STEP4

STEP5

