

ASSEMBLY INSTRUCTION

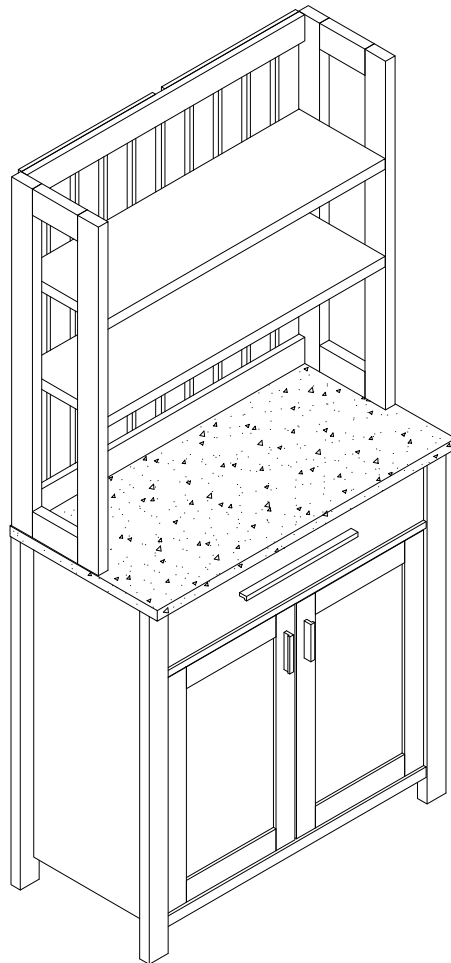
PLEASE READ BEFORE ASSEMBLING!

Tip #1: Make sure you've taken all the pieces and hardware out of its packaging before discarding the box.

Tip #2: Using page 2 and/or page 3 of instruction manual make sure all pieces and hardware are accounted for.

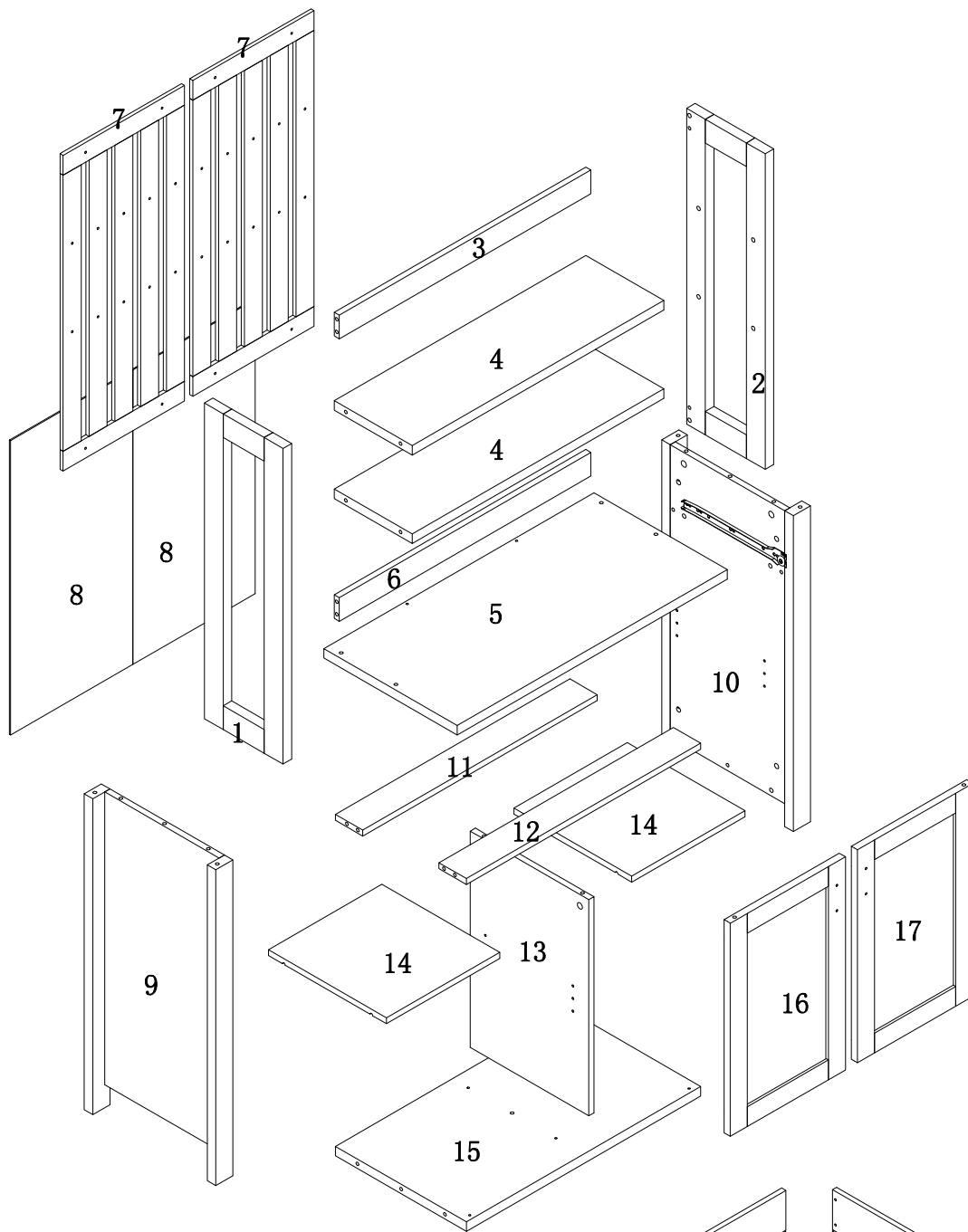
Tip #3: Read manual before assembling, it helps!

ITEM#: 151250

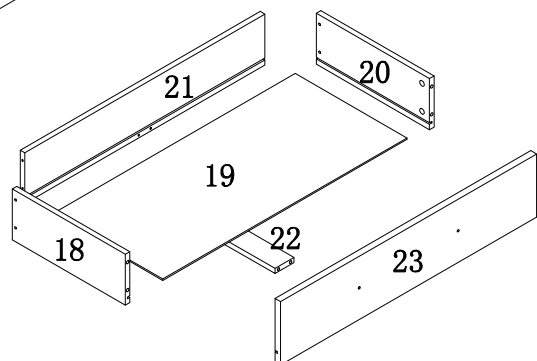


PARTS IDENTIFICATION

ITEM#: 151250

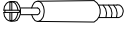

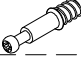








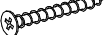

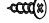














(1)	1pc	(9)	1pc	(17)	1pc
(2)	1pc	(10)	1pc	(18)	1pc
(3)	1pc	(11)	1pc	(19)	1pc
(4)	2pcs	(12)	1pc	(20)	1pc
(5)	1pc	(13)	1pc	(21)	1pc
(6)	1pc	(14)	2pcs	(22)	1pc
(7)	2pcs	(15)	1pc	(23)	1pc
(8)	2pcs	(16)	1pc		



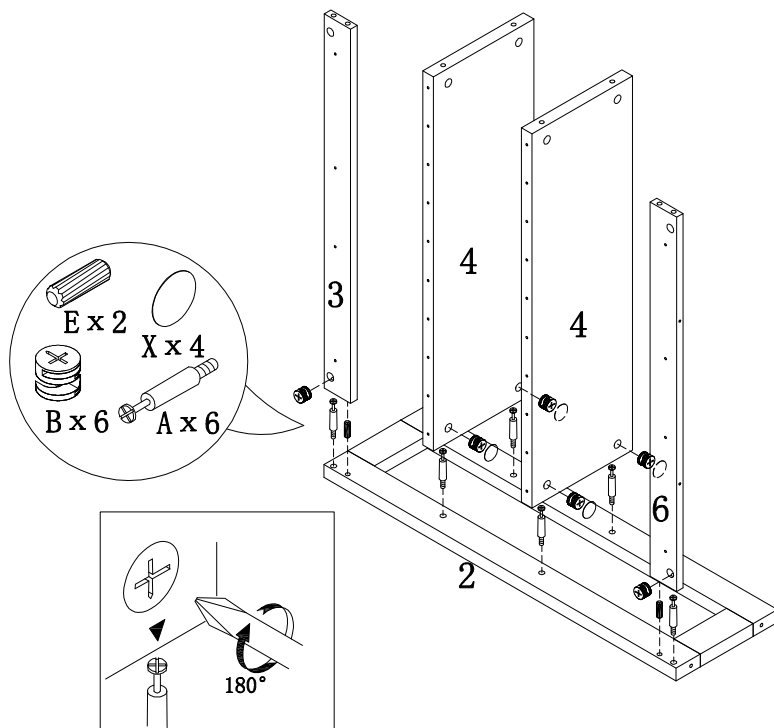
HARDWARE IDENTIFICATION

ITEM#: 151250

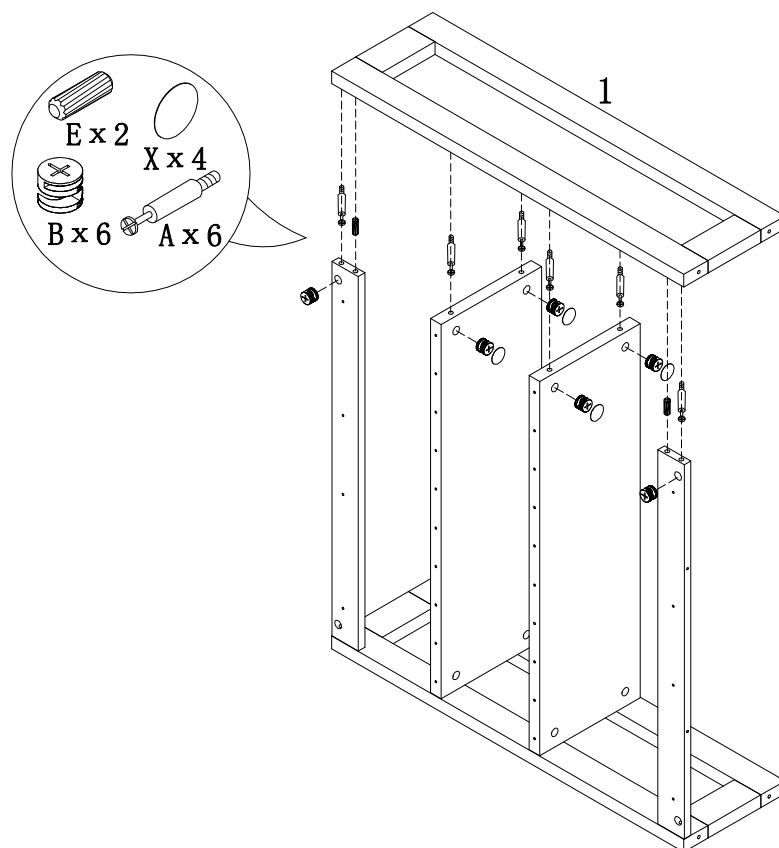
A		L29	30pcs
B		Ø15	30pcs
C		L20	4pcs
D		Ø12	4pcs
E		Ø8x25	13pcs
F		Ø6x30	2pcs
G		Ø7x48	4pcs
H		Ø8xØ16x2	4pcs
I		Ø4x16	2pcs
J		Ø4x20	28pcs
K		Ø4x30	6pcs
L		Ø4x40	4pcs
M			2pcs
N		Ø3x14	4pcs
O		Ø3x16	4pcs
P		Ø5	8pcs
Q			2pcs
R		C64	2pcs
S		C256	1pc
T		M4x22	2pcs
U		M4x25	4pcs
V			26pcs
W		Ø16	4pcs
X		Ø20	18pcs
Y		80x25x60H	1pc
Z		Glue: For securing please apply to wood dowel first before inserting into panel	1pc

ASSEMBLY INSTRUCTION

ITEM#: 151250

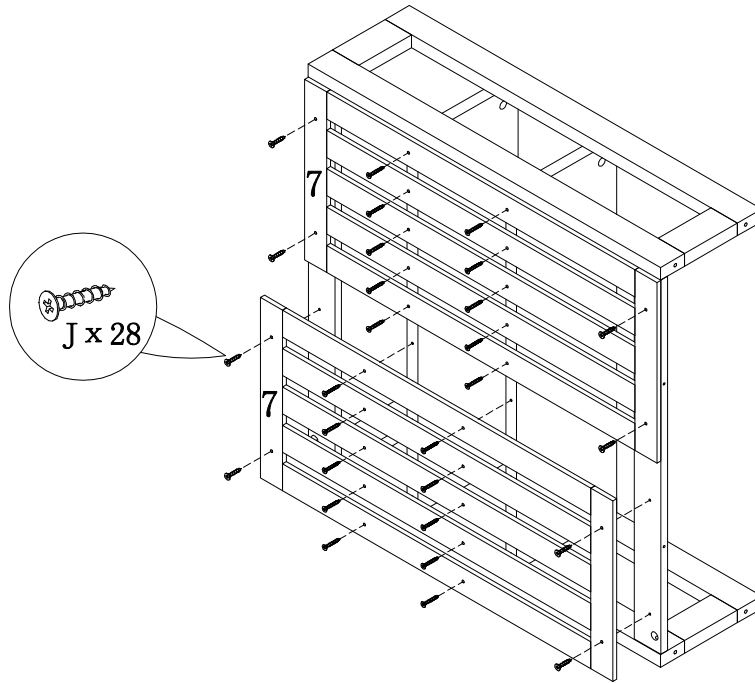


STEP 2



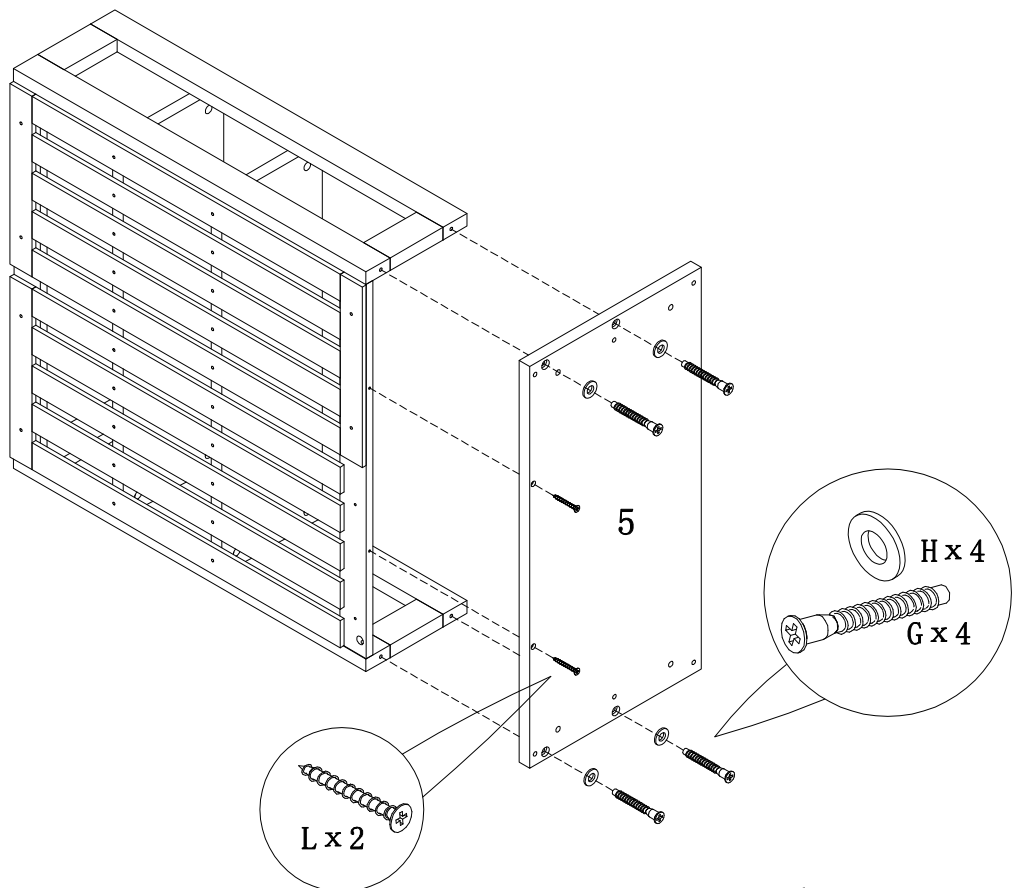
ASSEMBLY INSTRUCTION

ITEM#: 151250



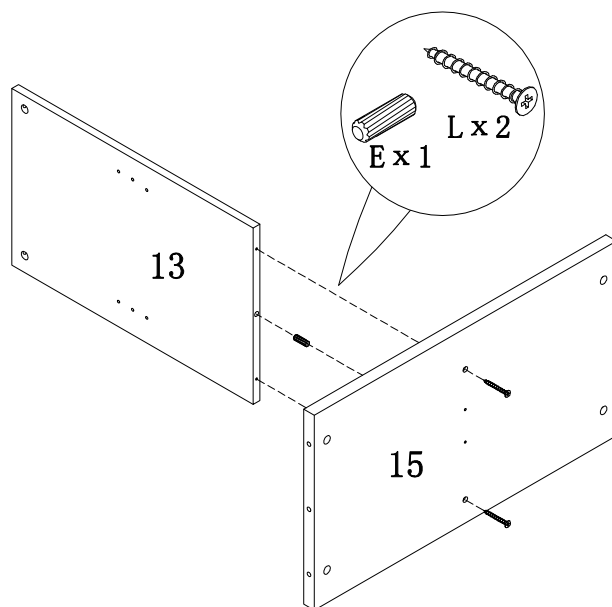
STEP 3

STEP 4



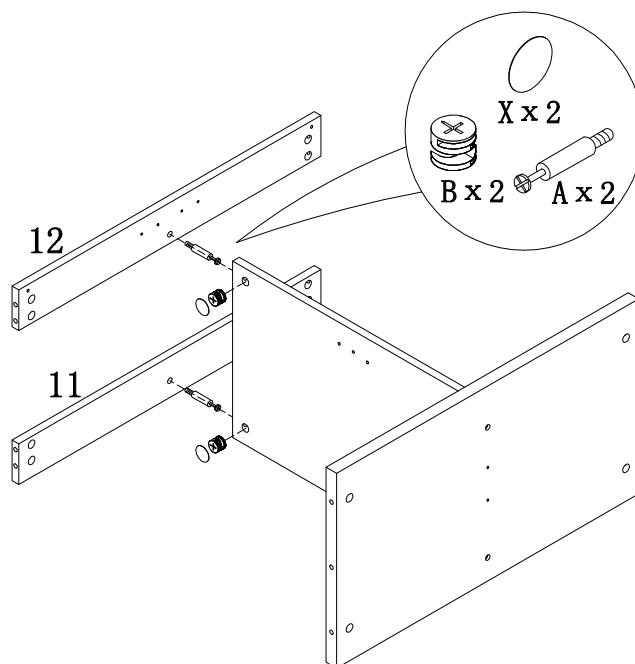
ASSEMBLY INSTRUCTION

ITEM#: 151250



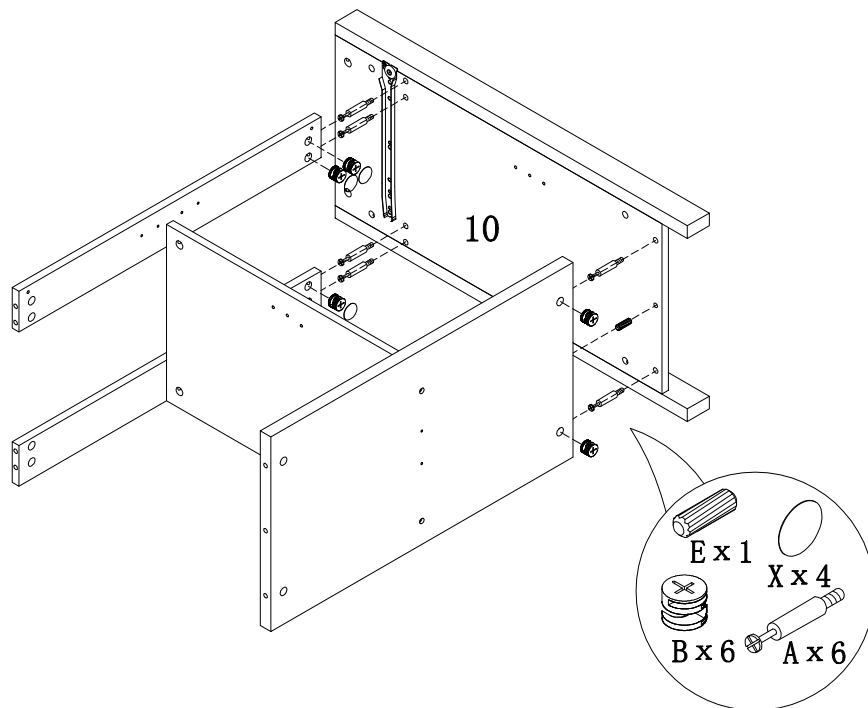
STEP 5

STEP 6



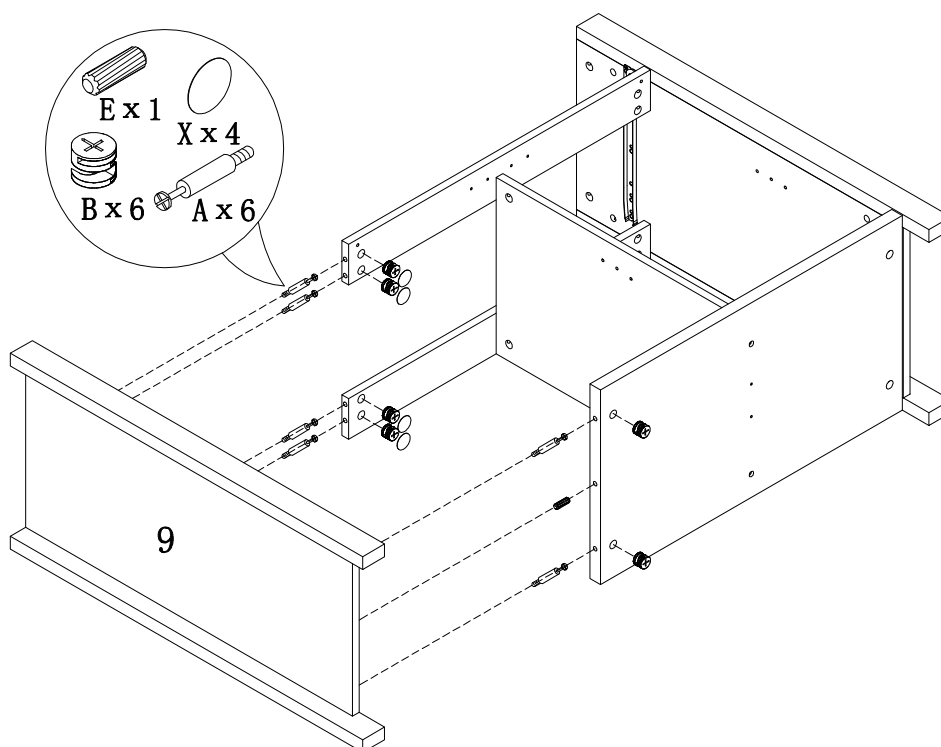
ASSEMBLY INSTRUCTION

ITEM#: 151250



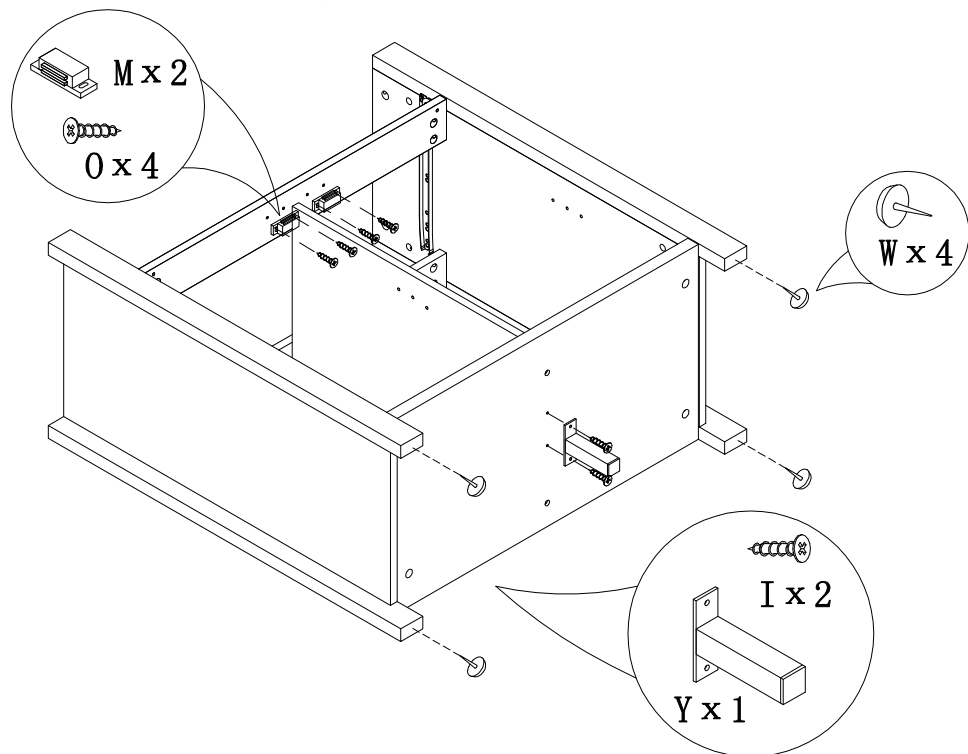
STEP 7

STEP 8



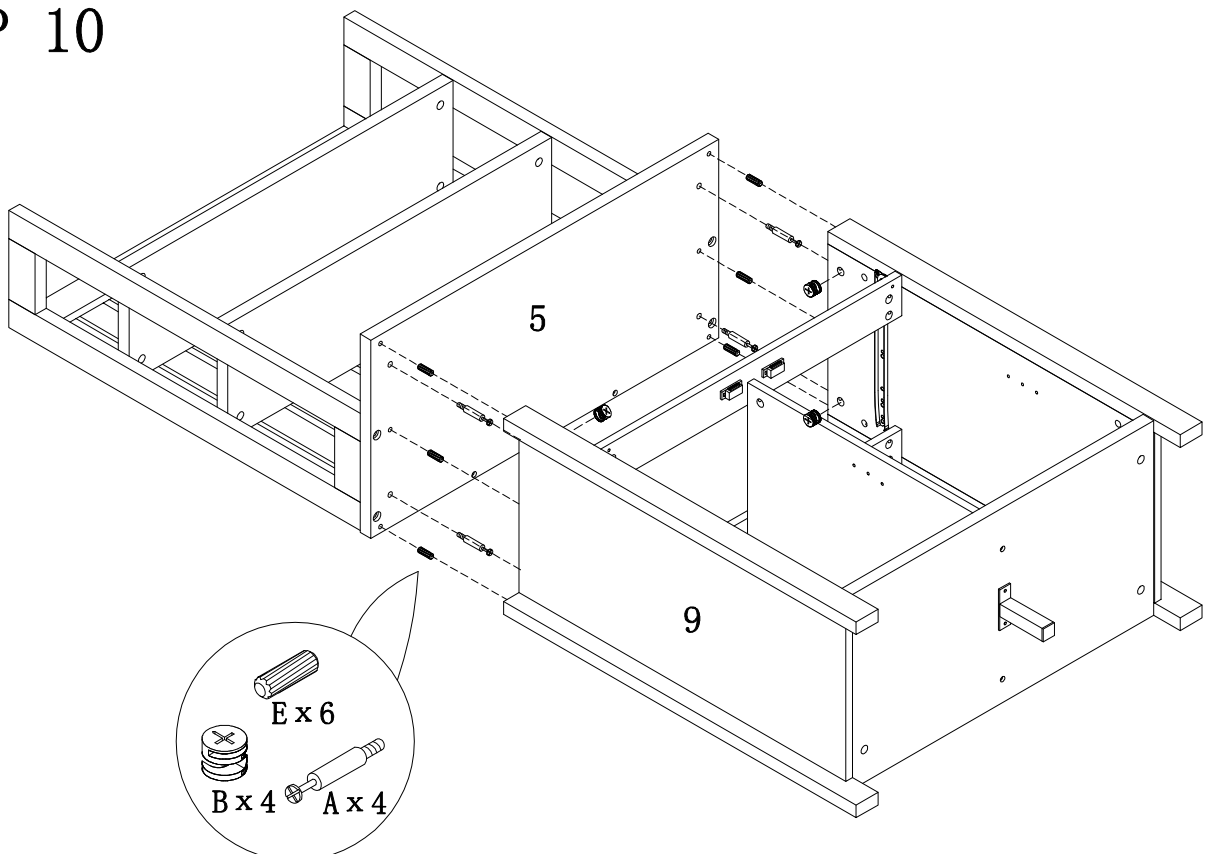
ASSEMBLY INSTRUCTION

ITEM#: 151250



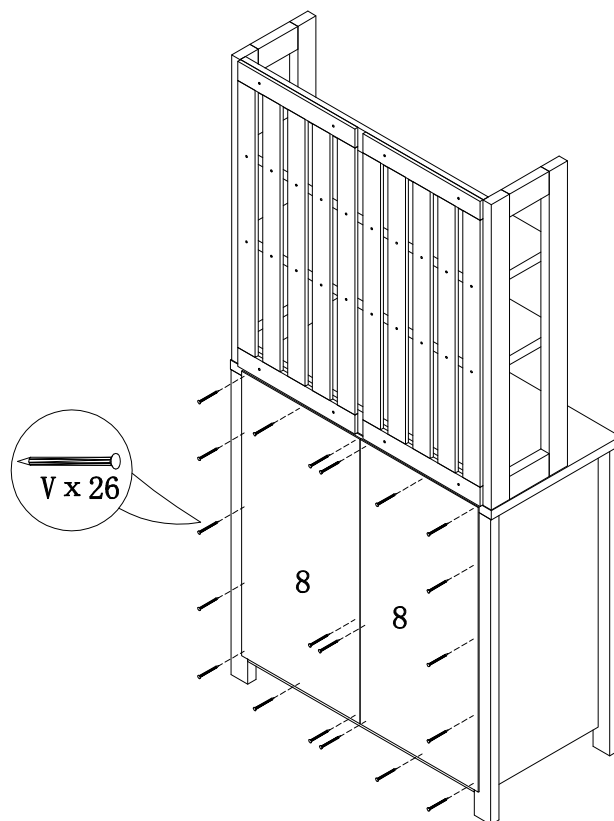
STEP 9

STEP 10



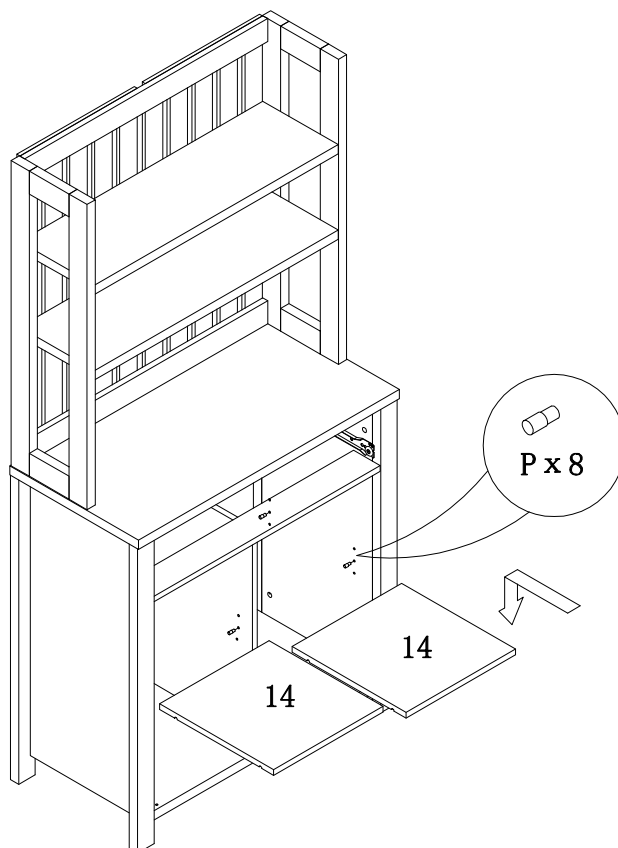
ASSEMBLY INSTRUCTION

ITEM#: 151250



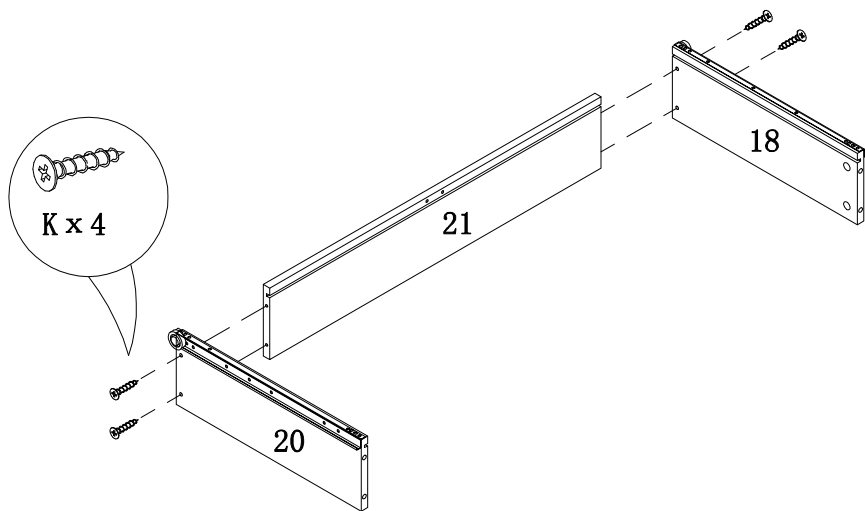
STEP 11

STEP 12

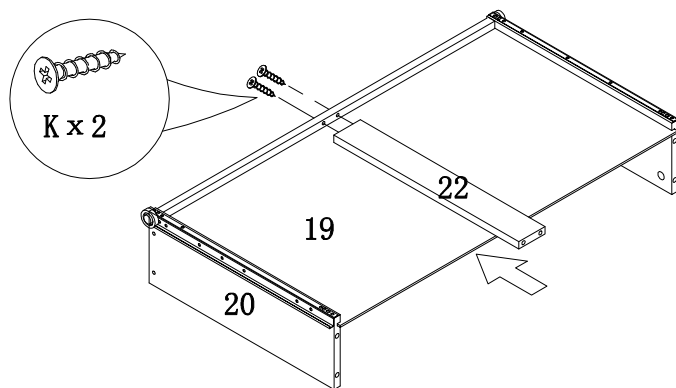


ASSEMBLY INSTRUCTION

ITEM#: 151250

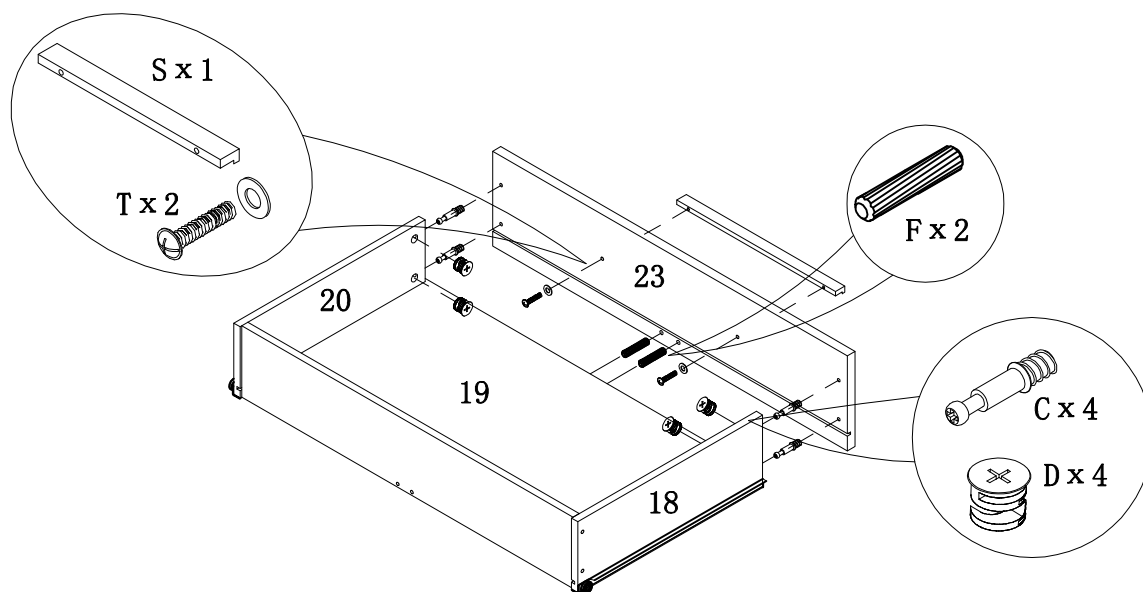


STEP 13



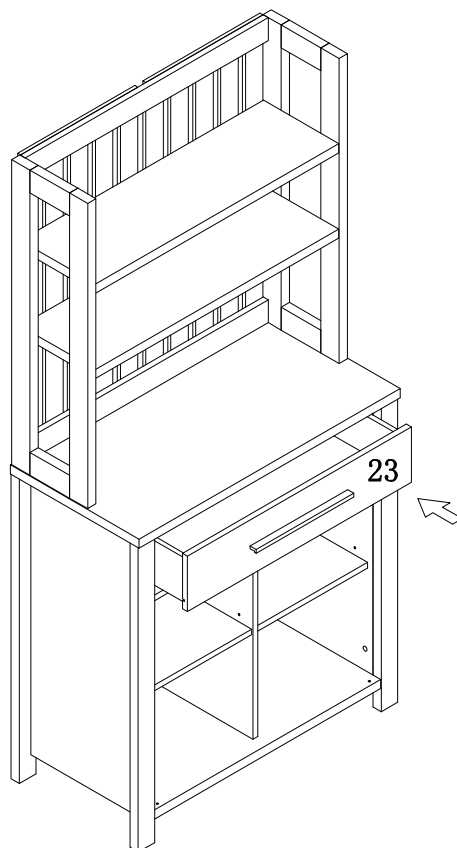
STEP 14

STEP 15



ASSEMBLY INSTRUCTION

ITEM#: 151250



STEP 16

STEP 17

