

# ASSEMBLY INSTRUCTION

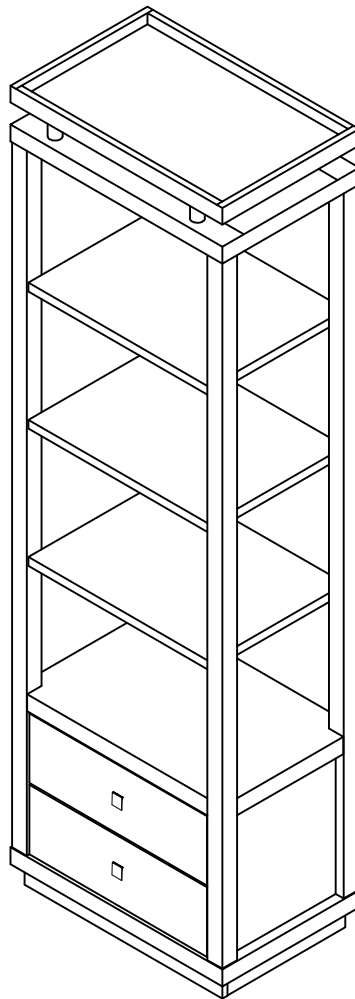
---

## PLEASE READ BEFORE ASSEMBLING!

Tip #1: Make sure you've taken all the pieces and hardware out of its packaging before discarding the box.

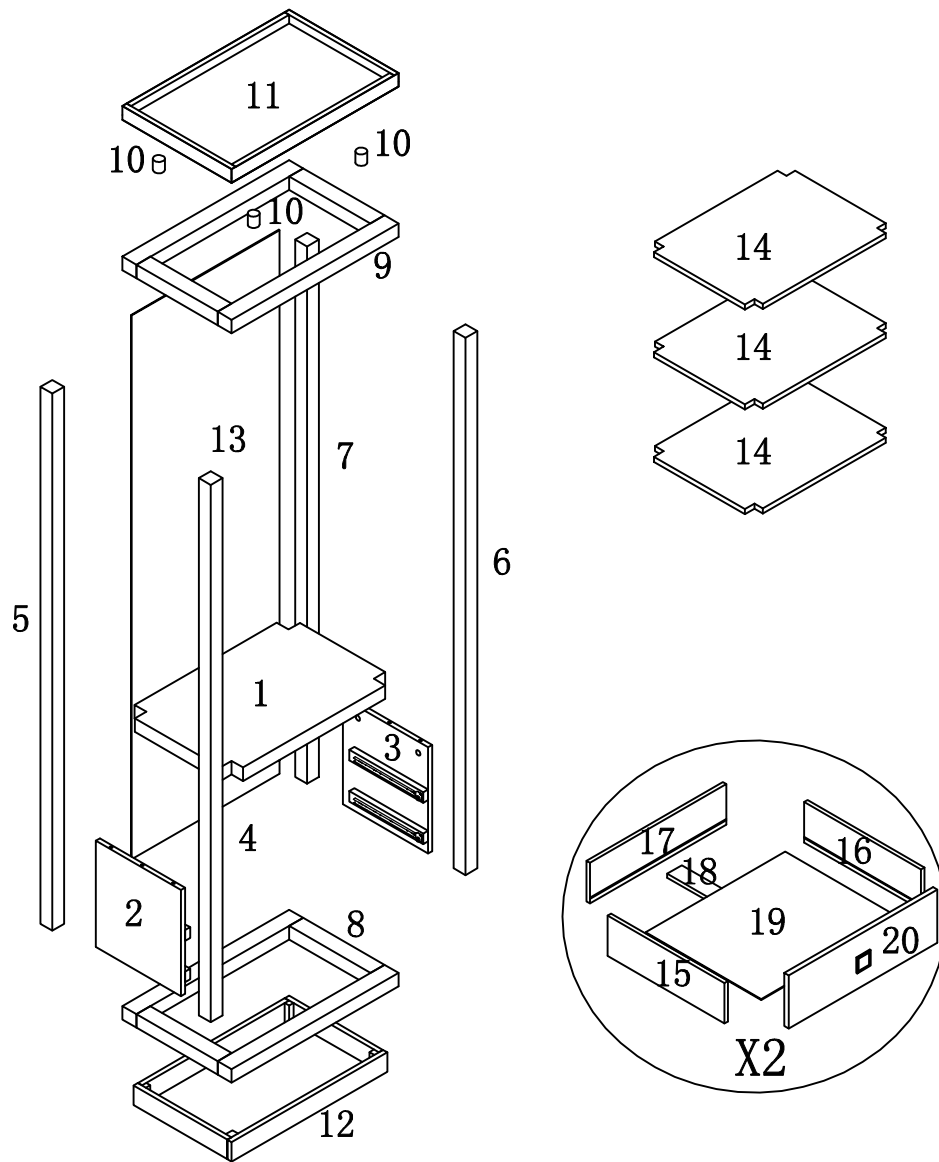
Tip #2: Using page 2 and/or page 3 of instruction manual make sure all pieces and hardware are accounted for.

ITEM#: 11455



# PARTS IDENTIFICATION





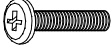



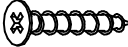
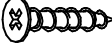
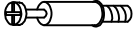





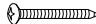

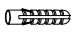
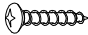


ITEM#: 11455



(1)	1pc	(7)	1pc	(13)	1pc	(19)	2pcs
(2)	1pc	(8)	1pc	(14)	3pcs	(20)	2pcs
(3)	1pc	(9)	1pc	(15)	2pcs		
(4)	1pc	(10)	4pcs	(16)	2pcs		
(5)	1pc	(11)	1pc	(17)	2pcs		
(6)	1pc	(12)	1pc	(18)	2pcs		

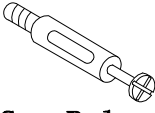

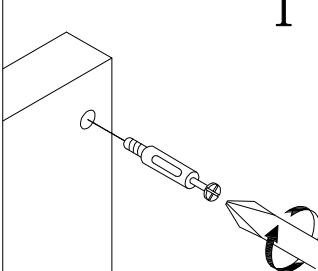
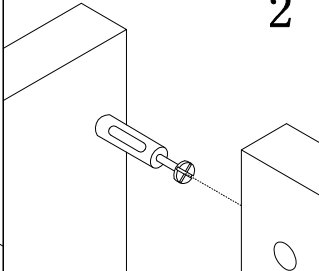
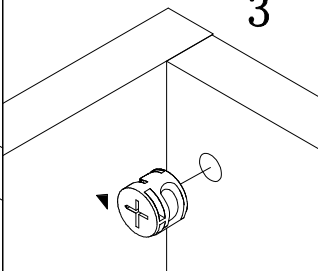
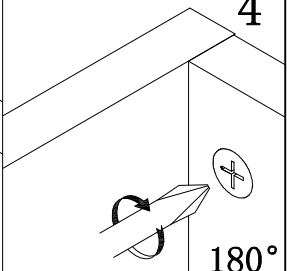
# HARDWARE IDENTIFICATION

ITEM#: 11455

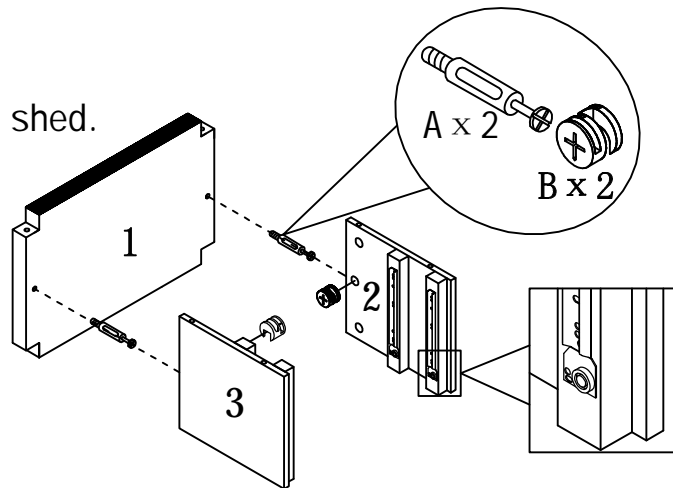
A		L29	6pcs
B		φ 15	6pcs
C		φ 8 x 25	12pcs
D		φ 7 x 48	8pcs
E		M6 x 60	4pcs
F		φ 4 x 50	6pcs
G			30pcs
H		φ 5	12pcs
I		φ 4 x 30	8pcs
J		φ 4 x 25	4pcs
K		L20	8pcs
L		φ 12	8pcs
M		φ 6 x 30	4pcs
N		48x48x14	2pcs
O		φ 4 x 10	2pcs
P		197×5×1	1pc
Q		φ 5 x 40	1pc
R		12×12×1	2pcs
S		∅8×40	1pc
T		∅4×25	2pcs
U		Φ 16	4pcs
V		Glue: For securing please apply to wood dowel first before inserting into panel	1pc

# ASSEMBLY INSTRUCTION

ITEM#: 11455

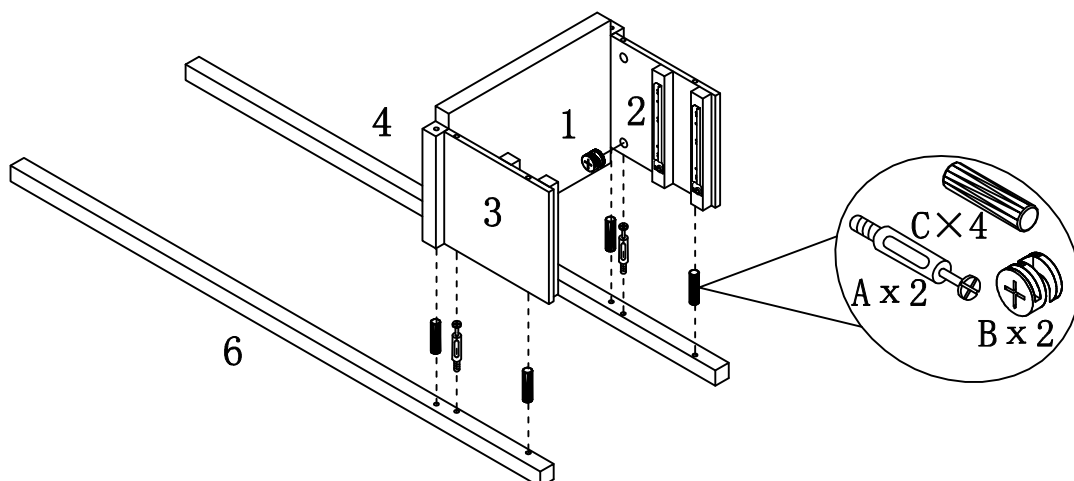
<p>HOW TO</p>  <p>Cam Bolt</p>  <p>Cam Lock</p>	<p>1</p> 	<p>2</p> 	<p>3</p> 	<p>4</p>  <p>180°</p>
	<p>1. Screw Cam Bolt into panel.</p>	<p>2. Insert Cam Bolt into bolt hole of joining panel.</p>	<p>3. Insert Cam Lock. arrow facing bolt.</p>	<p>4. Gently turn Cam Lock clockwise to lock position.</p>

This edge not finished.



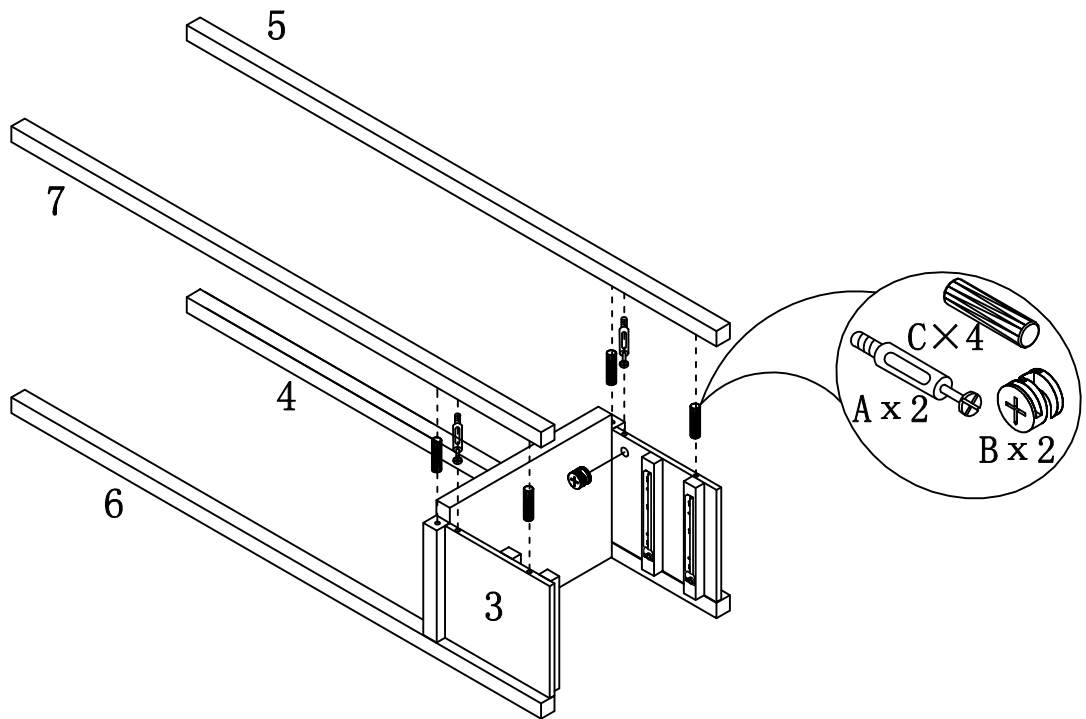
STEP1

STEP2



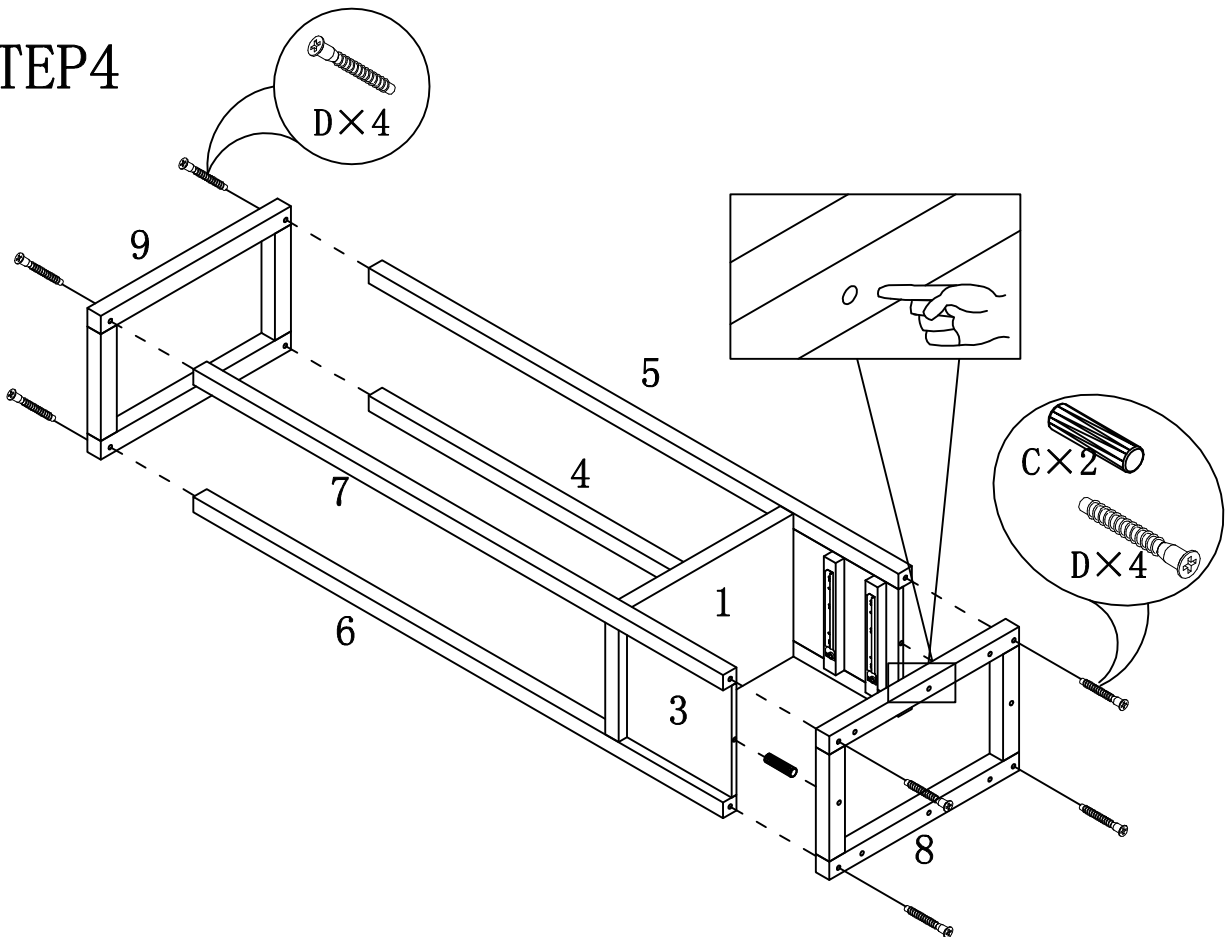
# ASSEMBLY INSTRUCTION

ITEM#: 11455



STEP 3

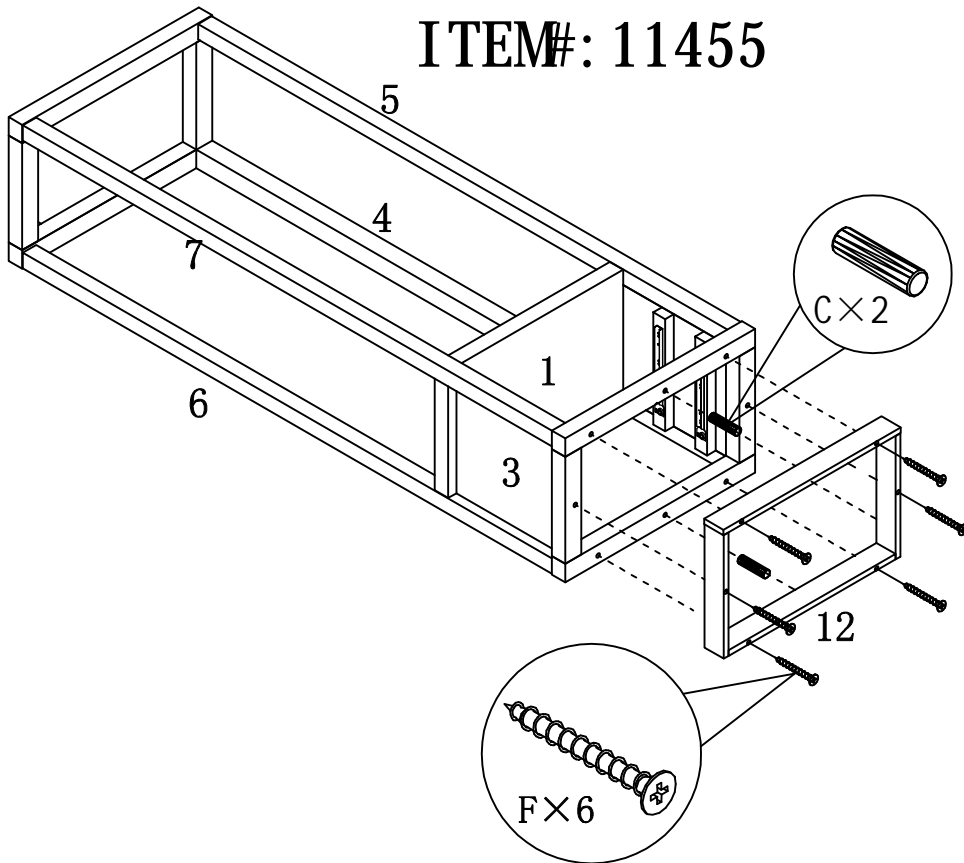
STEP 4



PAGE: 5 OF 9

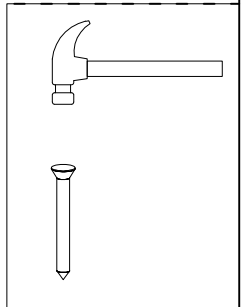
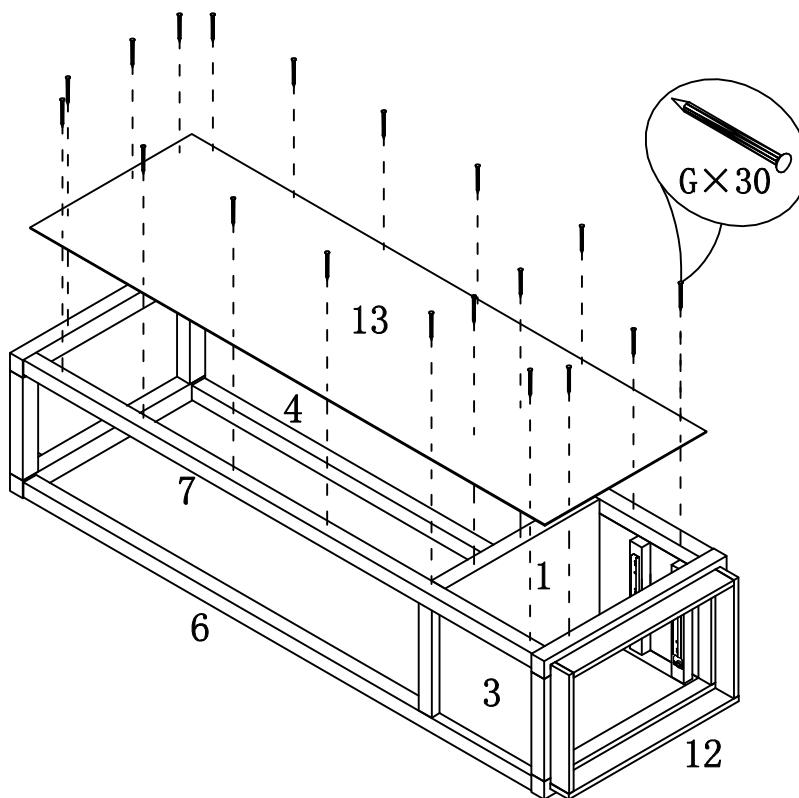
# ASSEMBLY INSTRUCTION

ITEM#: 11455



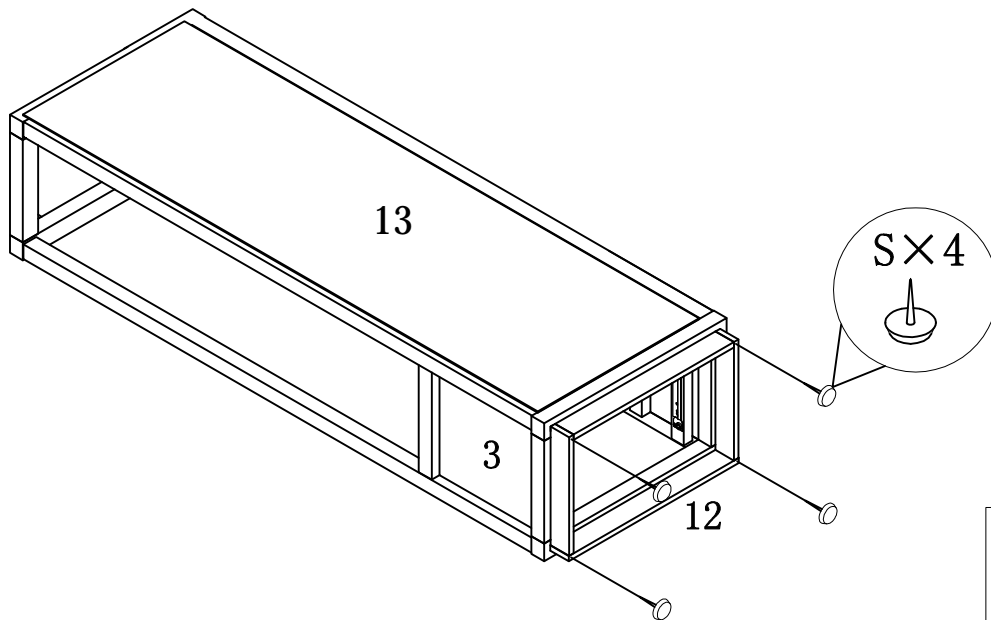
STEP5

STEP6



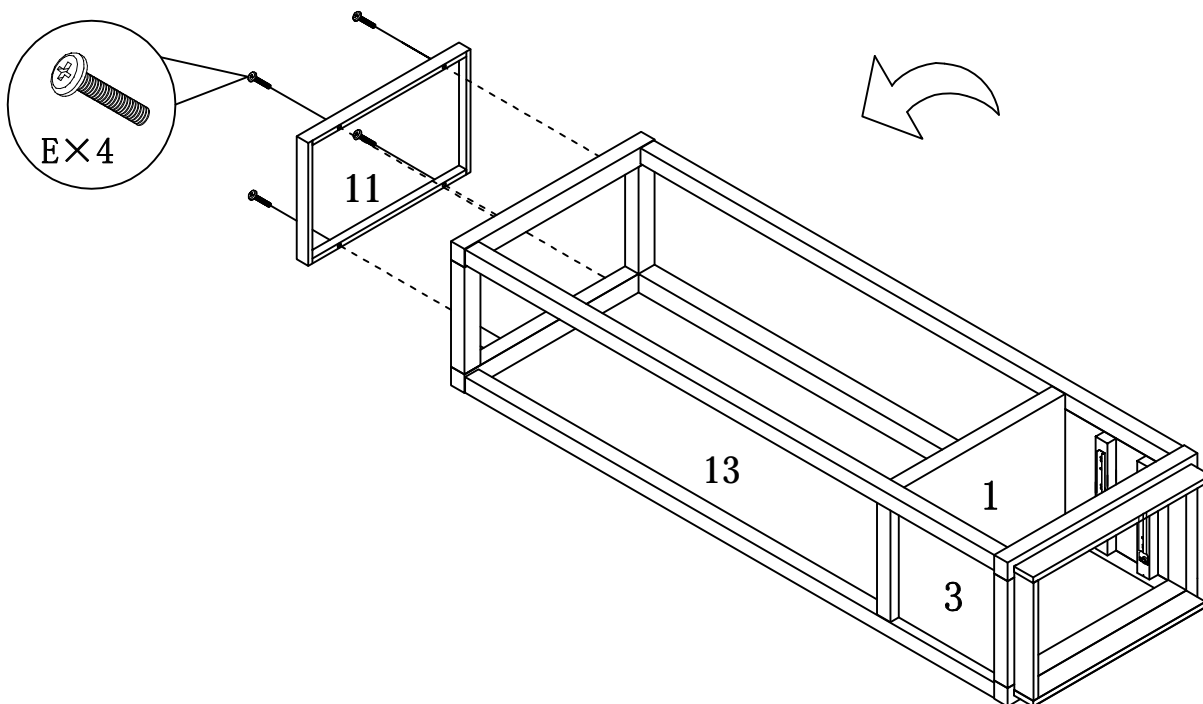
# ASSEMBLY INSTRUCTION

ITEM#: 11455



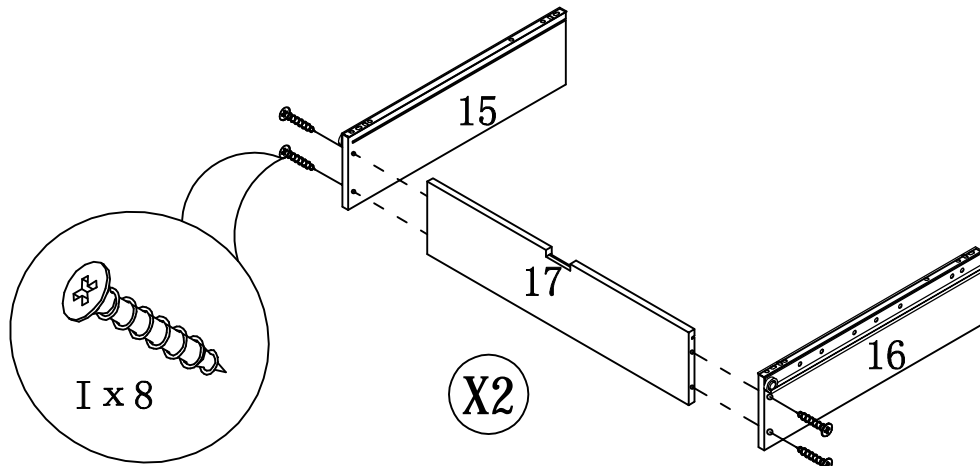
STEP 7

STEP 8



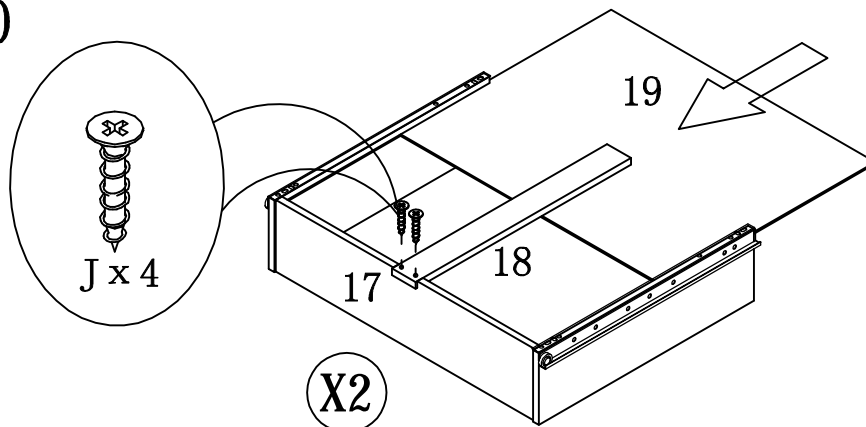
# ASSEMBLY INSTRUCTION

ITEM#: 11455

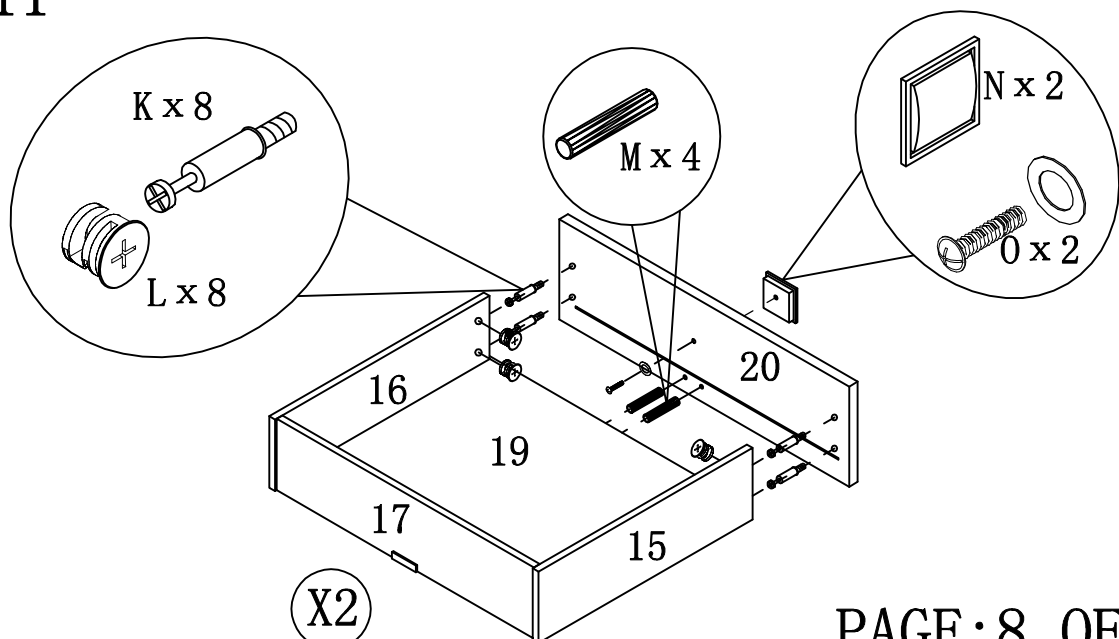


STEP9

STEP10



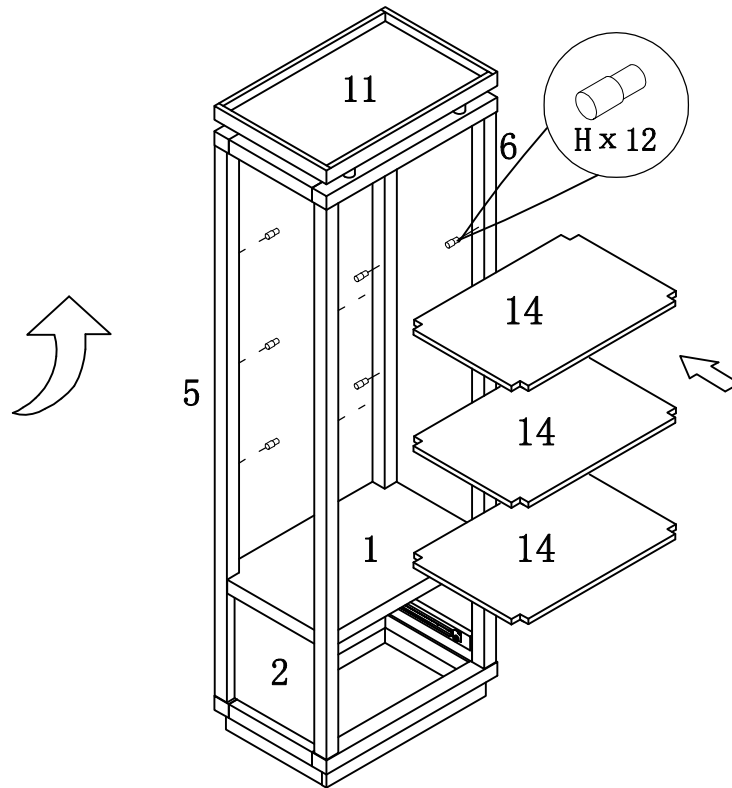
STEP11





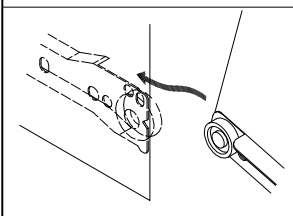
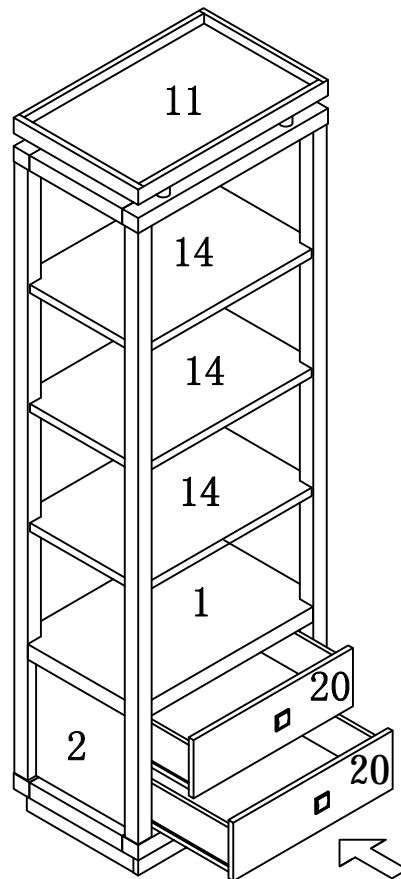
# ASSEMBLY INSTRUCTION

ITEM#: 11455



STEP12

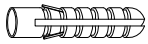
STEP13



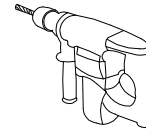
# ANTI-TIPPING STRAP INSTRUCTION

## HARDWARE (INCLUDED) :

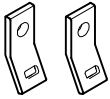
## TOOLS NEEDED ( NOT INCLUDED) :



DRYWALL ANCHOR  $\phi 8 \times 40$  X 1PC



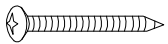
DRILL & DRILL BIT



METAL BRACKETS  $12 \times 12 \times 1$  X 2PCS



LIGHT HAMMER



DRYWALL SCREW  $\phi 5 \times 40$  X 1PC



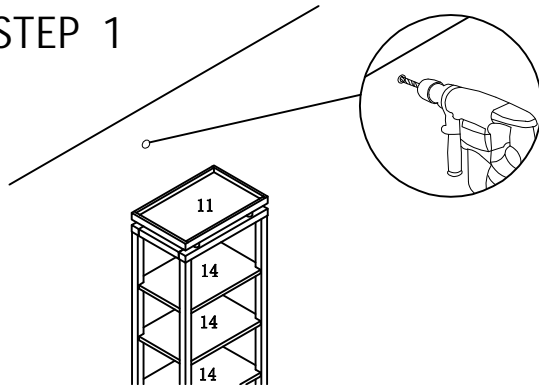
STRAP  $197 \times 5 \times 1$  X 1PC



FLATHEAD SCREW  $\phi 4 \times 25$  X 1PC

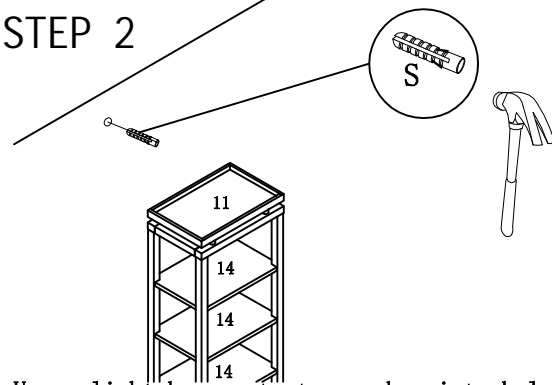
Note: Hardware included only compatible with standard drywalls.

### STEP 1



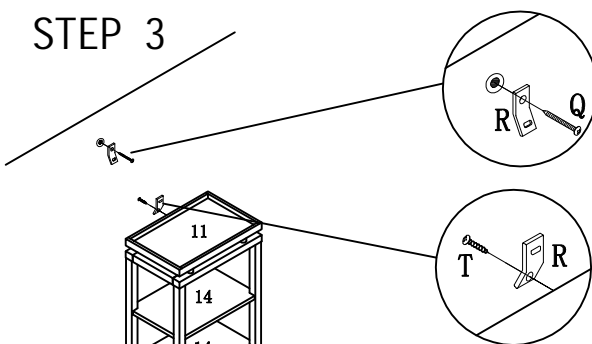
1. Find spot on wall 1" below top of item.
2. Using a drill bit slightly thinner than anchor, drill hole into drywall.

### STEP 2



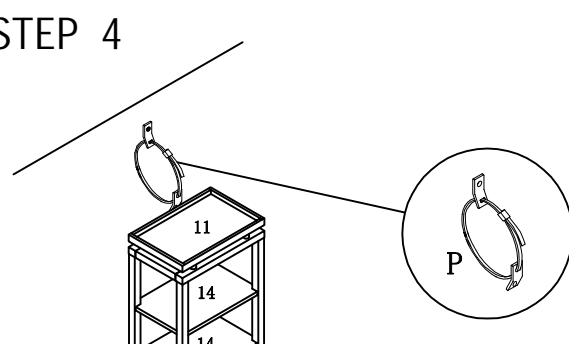
1. Use a light hammer to tap anchor into hole.
2. Anchor should fit snugly. If hole is too small, drill again to increase hole size. Do not force anchor into wall.

### STEP 3



1. Insert drywall screw into metal bracket and into drywall anchor.
2. Insert flathead screw into second metal bracket and into back of item along top edge.

### STEP 4



1. Insert strap thru bracket attached to wall, then thru bracket on item, and into head of strap.
  2. pull lightly til strap stops.
- Assembly is complete.