

# ASSEMBLY INSTRUCTION

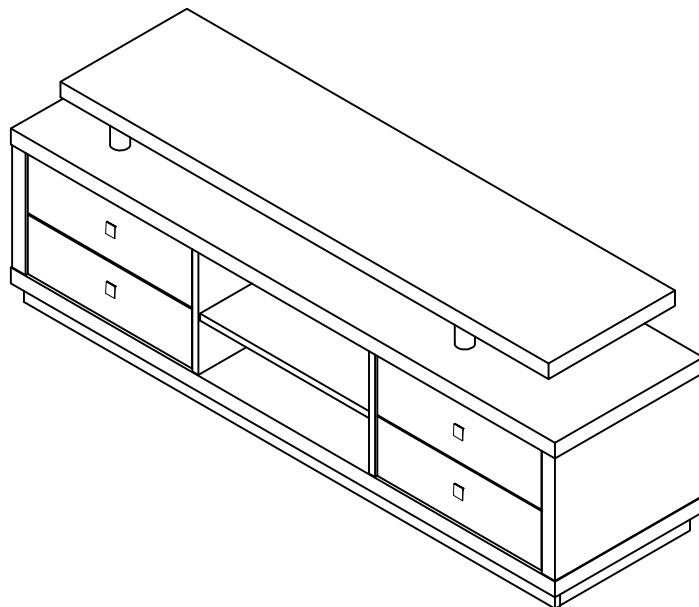
---

## PLEASE READ BEFORE ASSEMBLING!

Tip #1: Make sure you've taken all the pieces and hardware out of its packaging before discarding the box.

Tip #2: Using page 2 and/or page 3 of instruction manual make sure all pieces and hardware are accounted for.

ITEM#: 11454 14856



Need some help?  
Scan here for  
assembly video.

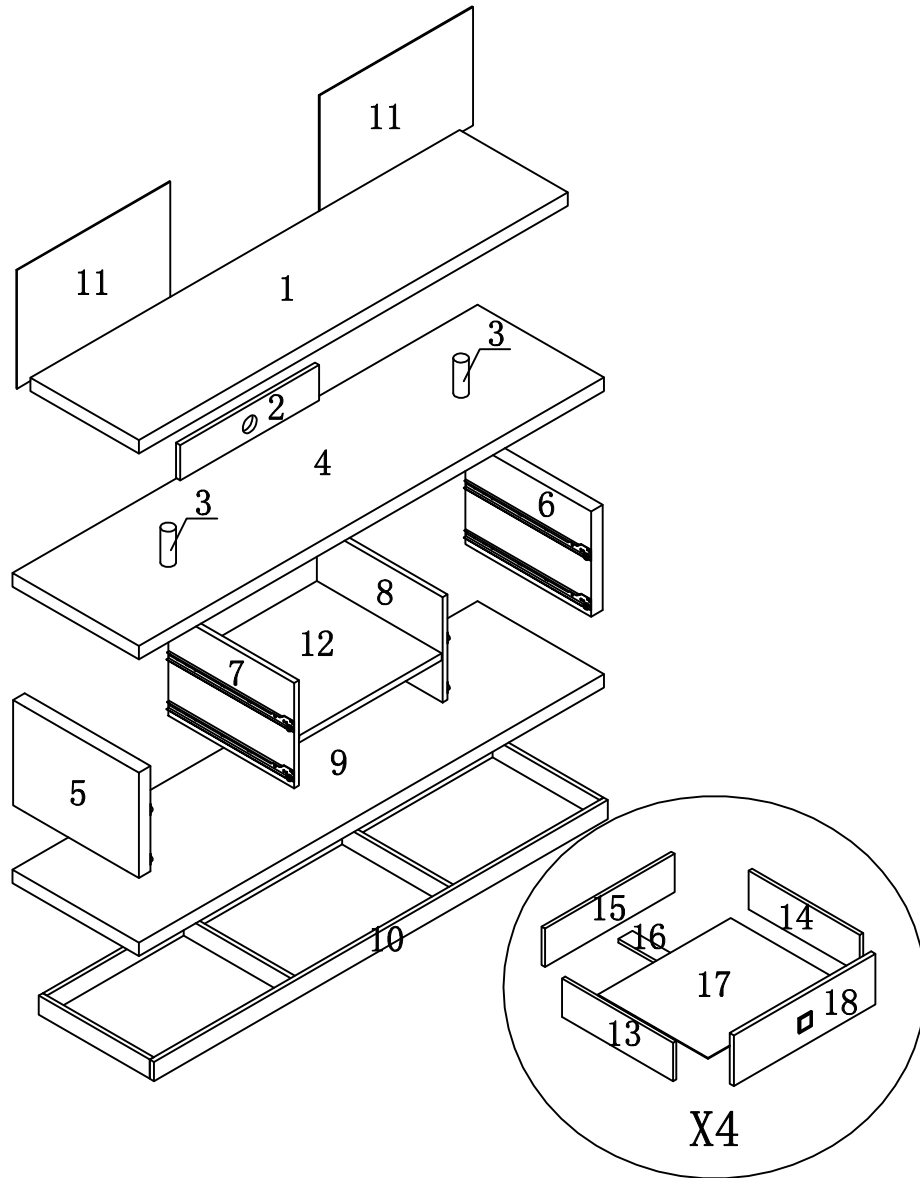


VERSION: 20161102

PAGE: 1 OF 10

# PARTS IDENTIFICATION










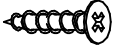
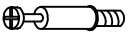





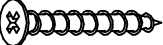


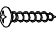
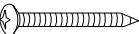
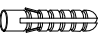

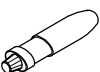
ITEM#: 11454 14856



(1)	1pc	(7)	1pc	(13)	4pcs
(2)	1pc	(8)	1pc	(14)	4pcs
(3)	2pcs	(9)	1pc	(15)	4pcs
(4)	1pc	(10)	1pc	(16)	4pcs
(5)	1pc	(11)	2pcs	(17)	4pcs
(6)	1pc	(12)	1pc	(18)	4pcs

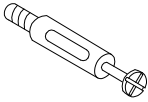

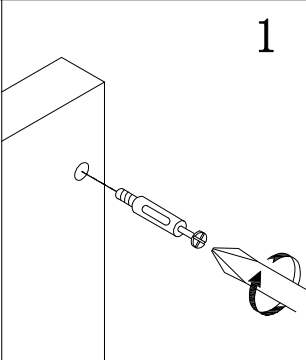
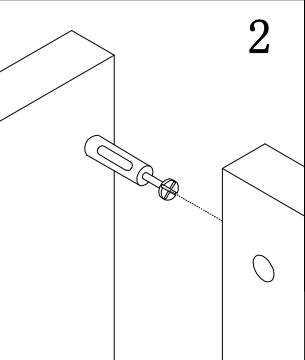
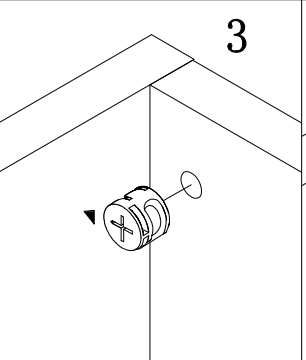
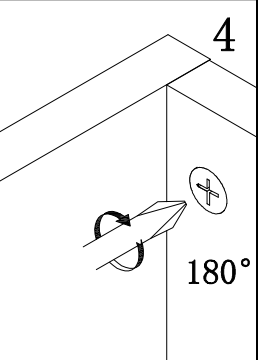
# HARDWARE IDENTIFICATION

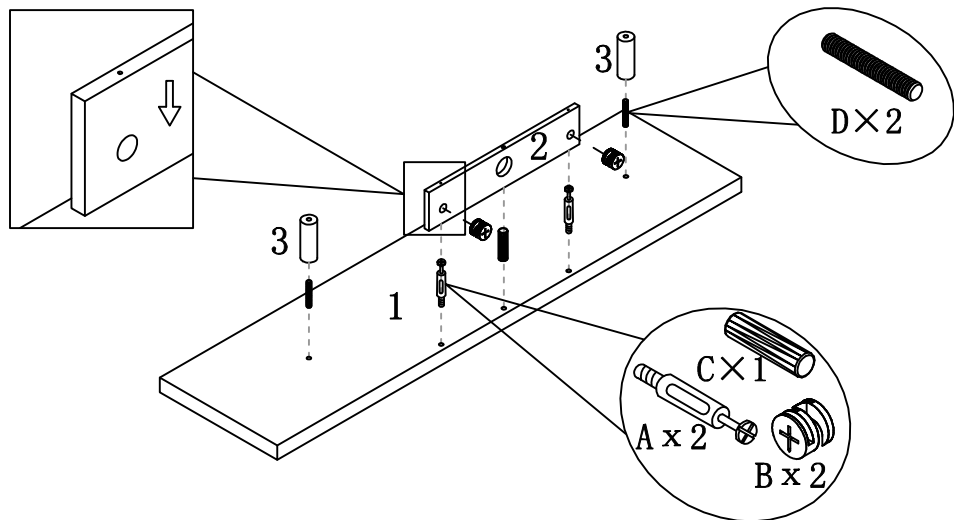
ITEM#: 11454 14856

A		L29	10pcs
B		$\phi$ 15	10pcs
C		$\phi$ 8 x 25	16pcs
D		$\phi$ 8 x 30	2pcs
E		M8 x 50	2pcs
F		M5	1pc
G		$\phi$ 4 x 30	16pcs
H		$\phi$ 5	4pcs
I		$\phi$ 7 x 58	4pcs
J		$\phi$ 4 x 25	8pcs
K		L20	16pcs
L		$\phi$ 12	16pcs
M		$\phi$ 6 x 30	8pcs
N		48x48x14	4pcs
O		$\phi$ 4 x 10	4pcs
P			30pcs
Q		$\phi$ 4 x 50	14pcs
R		$\phi$ 16	8pcs
S		197x5x1	1pc
T		$\phi$ 4 x 25	1pc
U		$\phi$ 5 x 40	1pc
V		$\phi$ 8 x 40	1pc
W		12x12x1	2pcs
Q		Glue: For securing please apply to wood dowel first before inserting into panel	1pc

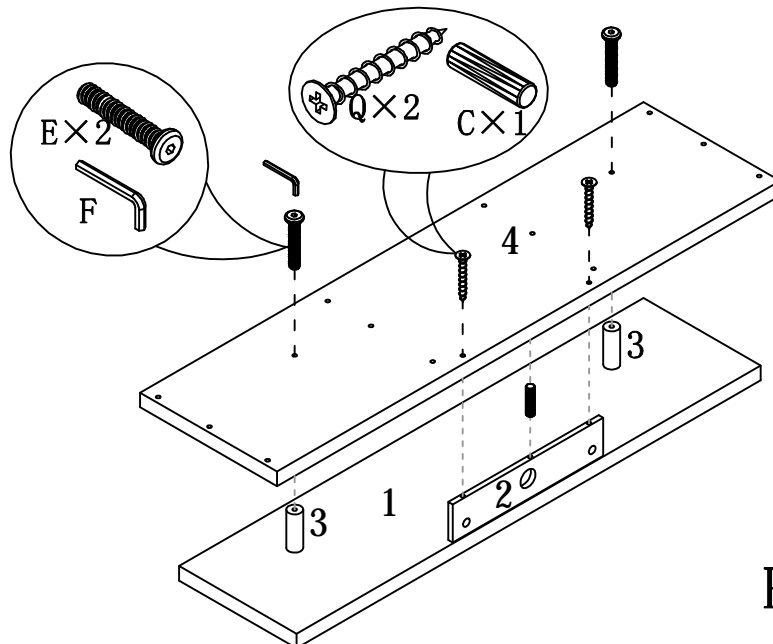
# ASSEMBLY INSTRUCTION

ITEM#: 11454 14856

HOW TO	1	2	3	4
 Cam Bolt   Cam Lock				
	1. Screw Cam Bolt into panel.	2. Insert Cam Bolt into bolt hole of joining panel.	3. Insert Cam Lock. arrow facing bolt.	4. Gently turn Cam Lock clockwise to lock position.

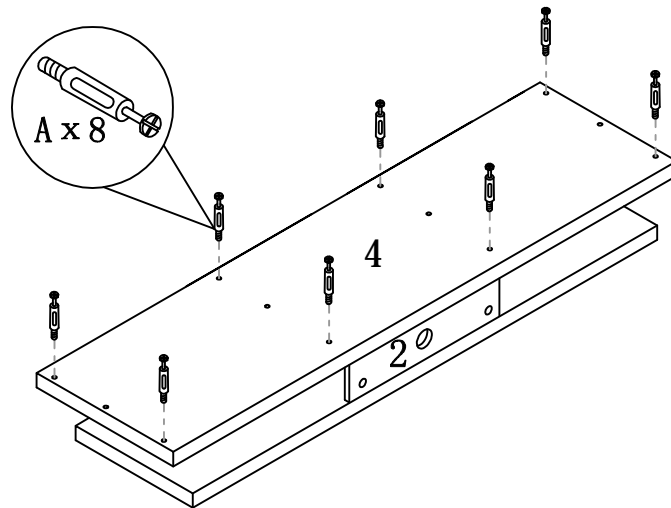


## STEP 2



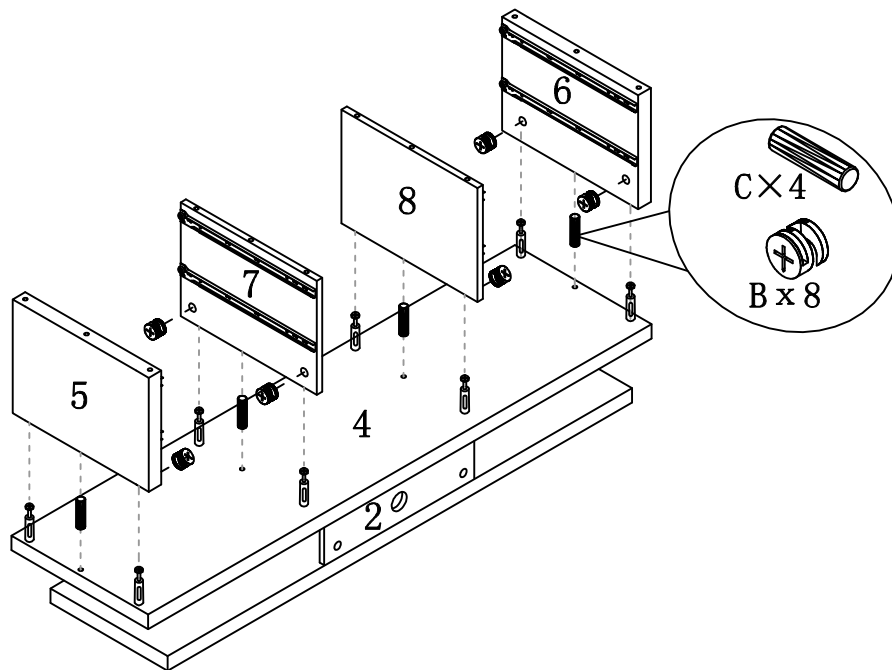
# ASSEMBLY INSTRUCTION

ITEM#: 11454 14856



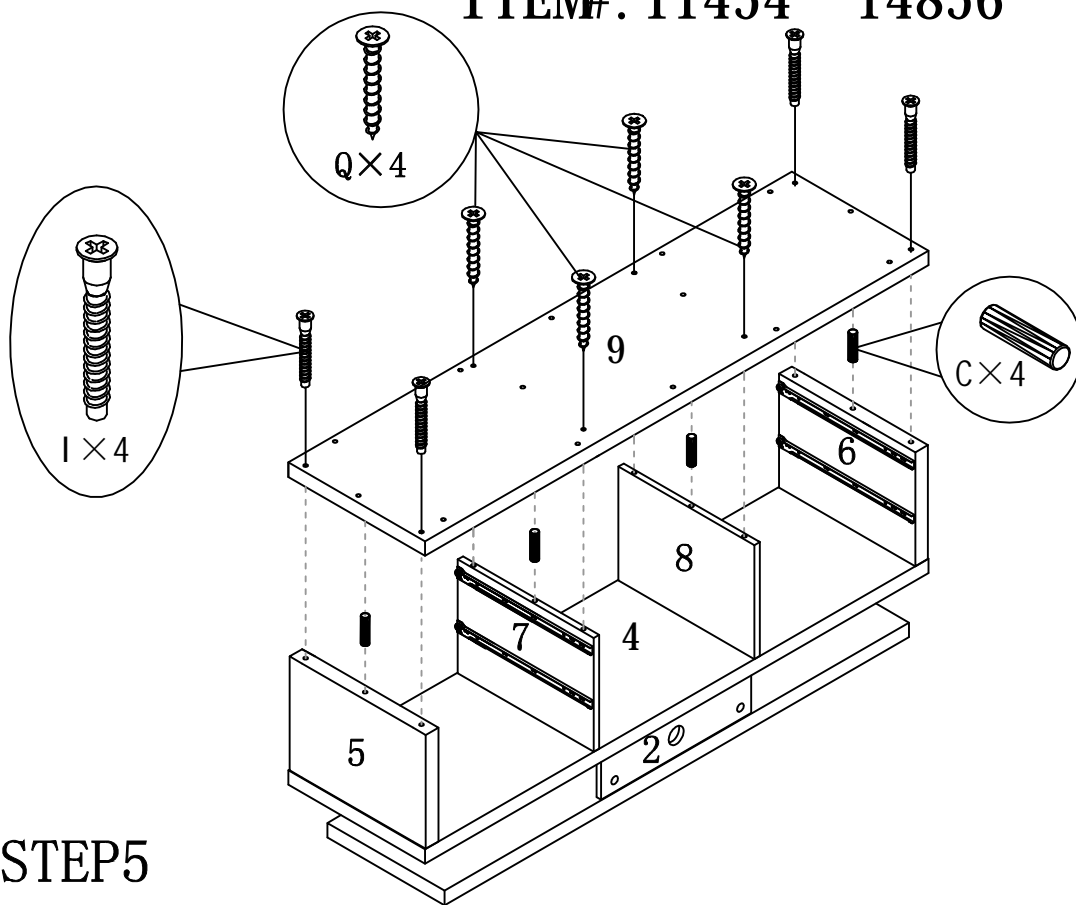
STEP3

STEP4



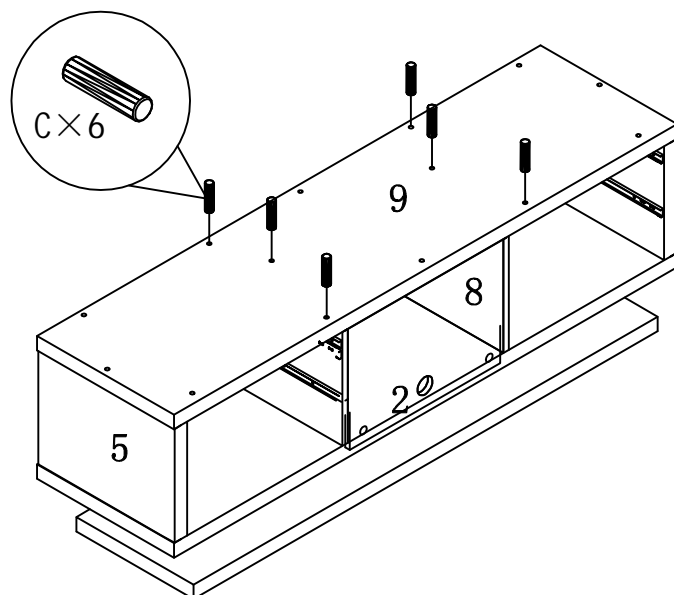
# ASSEMBLY INSTRUCTION

ITEM#: 11454 14856



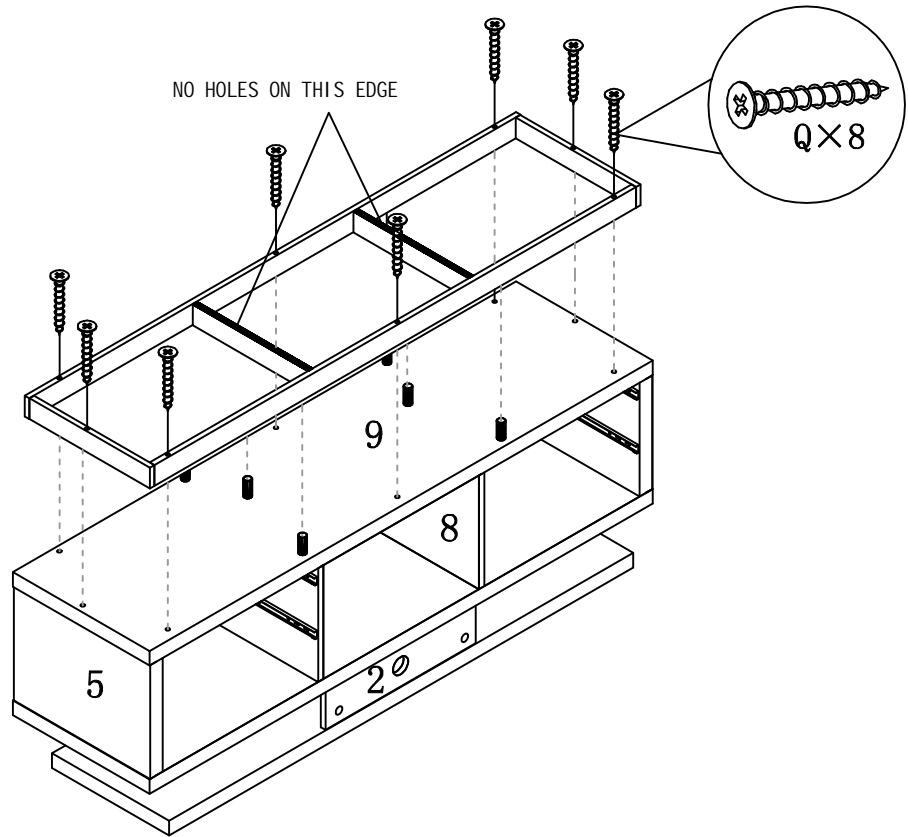
STEP5

STEP6



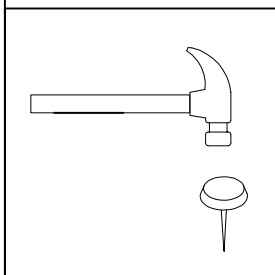
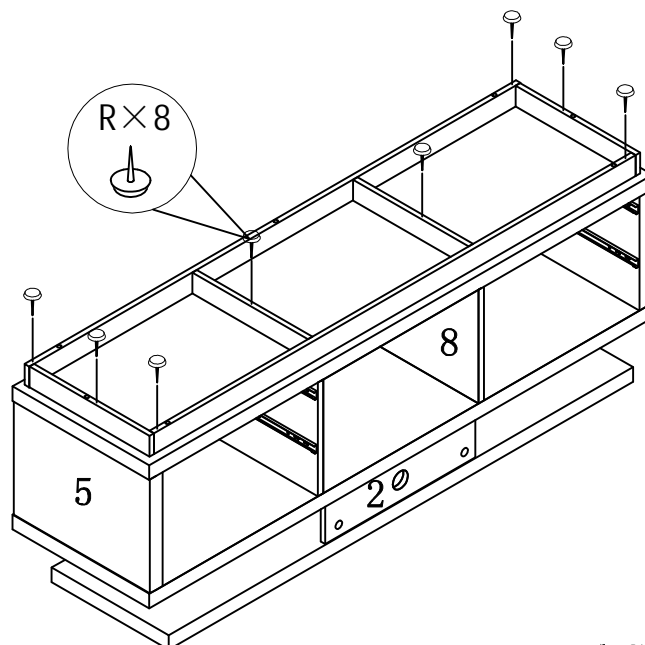
# ASSEMBLY INSTRUCTION

ITEM#: 11454 14856



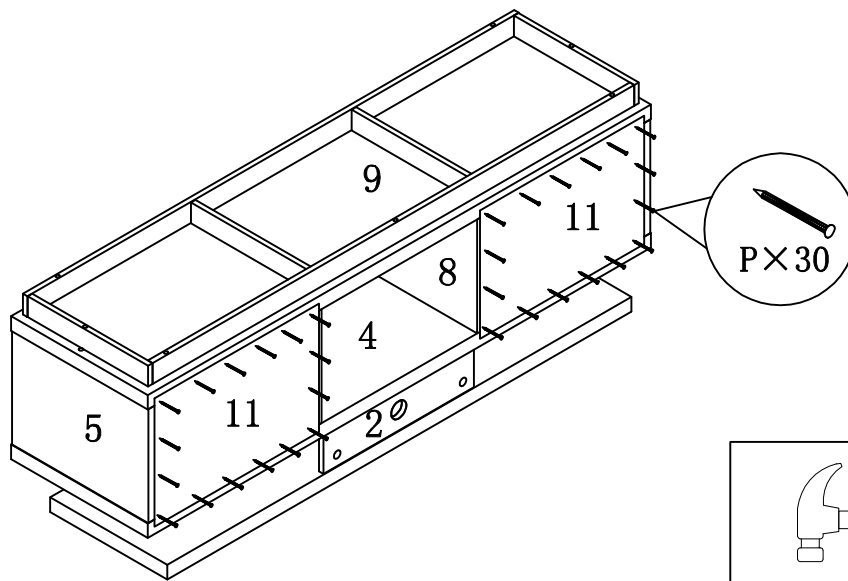
STEP 7

STEP 8



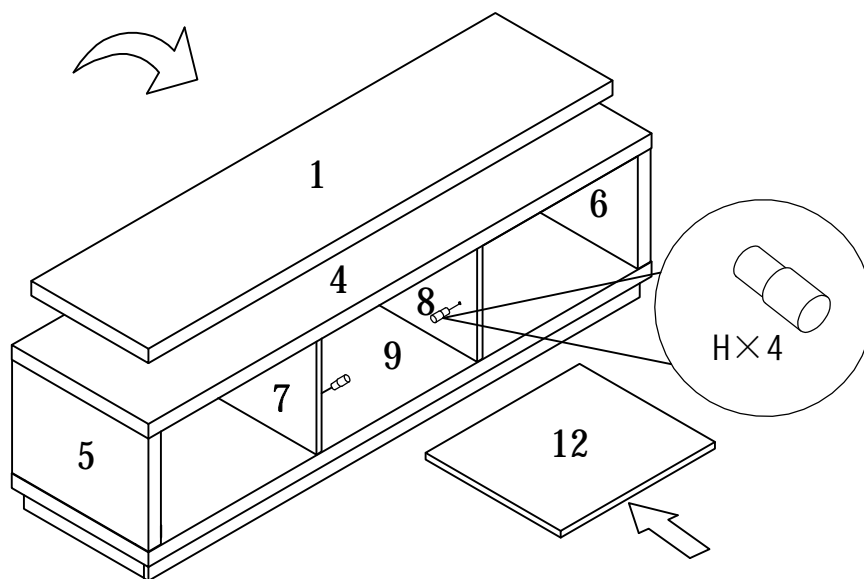
# ASSEMBLY INSTRUCTION

ITEM#: 11454 14856



STEP9

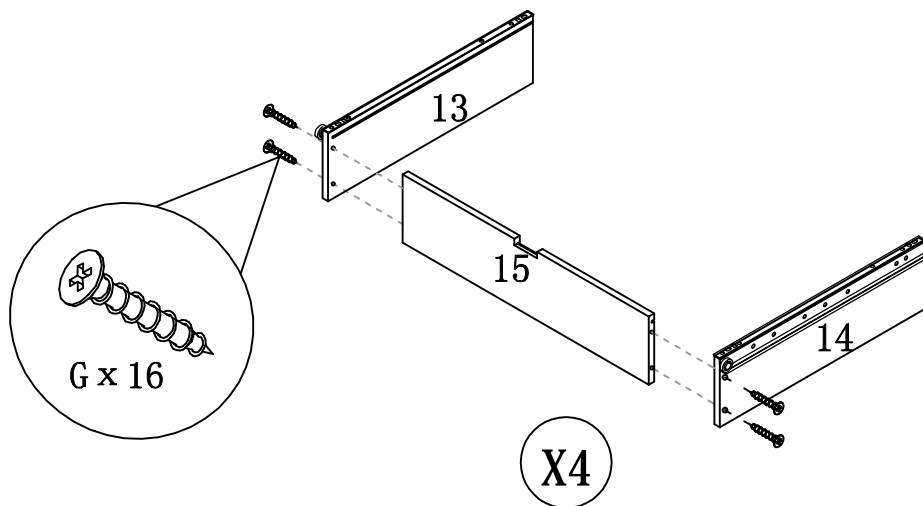
STEP10





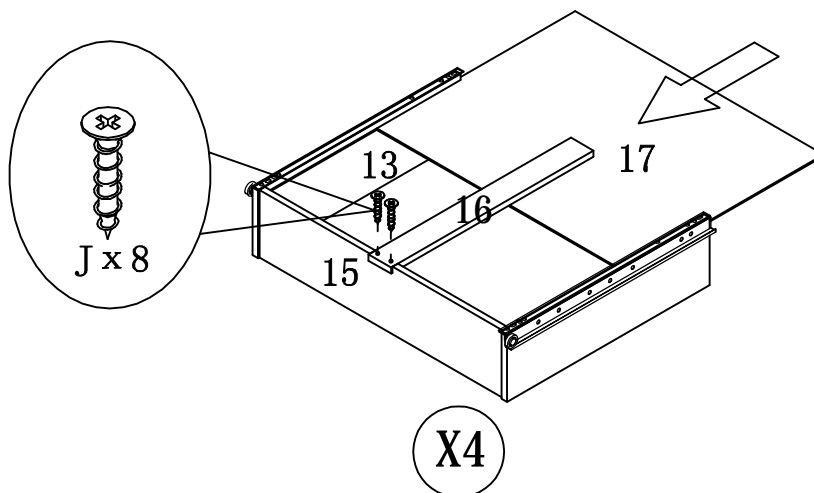
# ASSEMBLY INSTRUCTION

ITEM#: 11454 14856



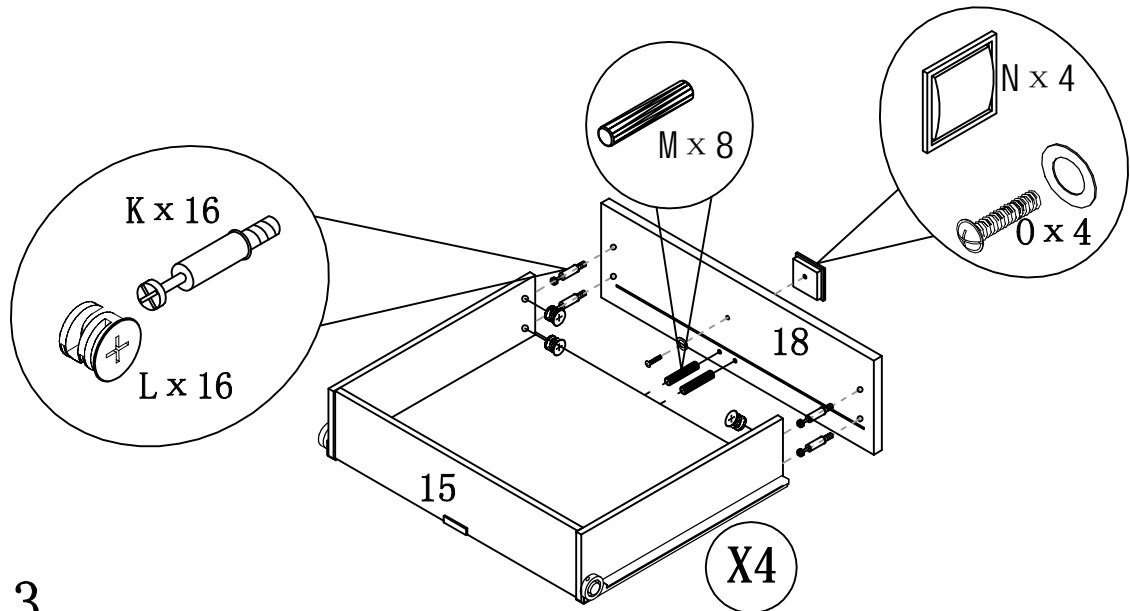
STEP11

STEP12



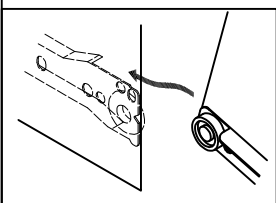
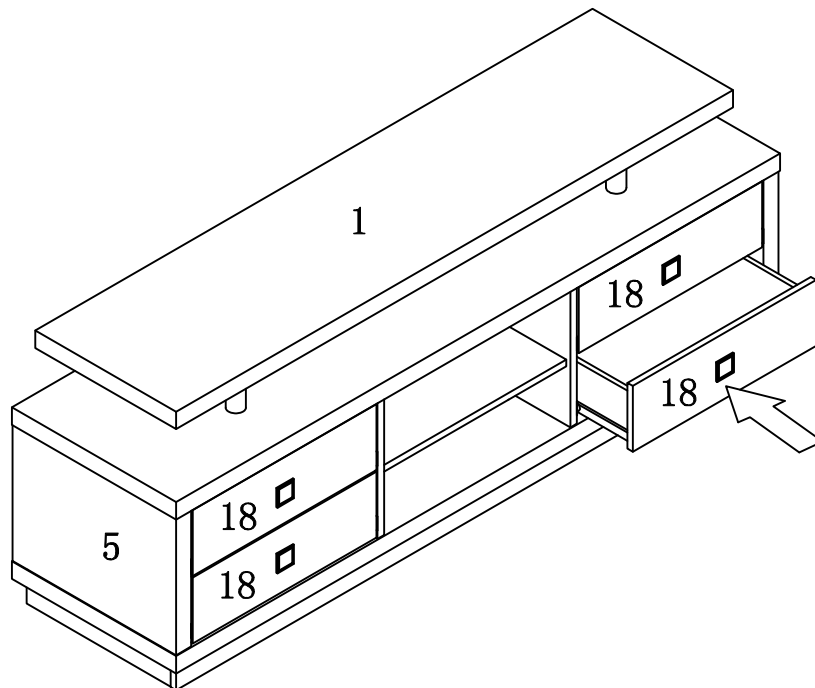
# ASSEMBLY INSTRUCTION

ITEM#: 11454 14856



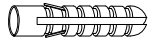
STEP13

STEP14

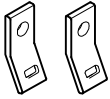


# ANTI-TIPPING STRAP INSTRUCTION

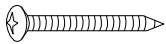
## HARDWARE (INCLUDED) :



DRYWALL ANCHOR  $\phi 8 \times 40$  X 1PC



METAL BRACKETS  $12 \times 12 \times 1$  X 2PCS



DRYWALL SCREW  $\phi 5 \times 40$  X 1PC

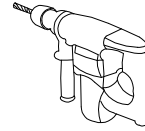


STRAP  $197 \times 5 \times 1$  X 1PC

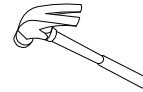


FLATHEAD SCREW  $\phi 4 \times 25$  X 1PC

## TOOLS NEEDED ( NOT INCLUDED) :



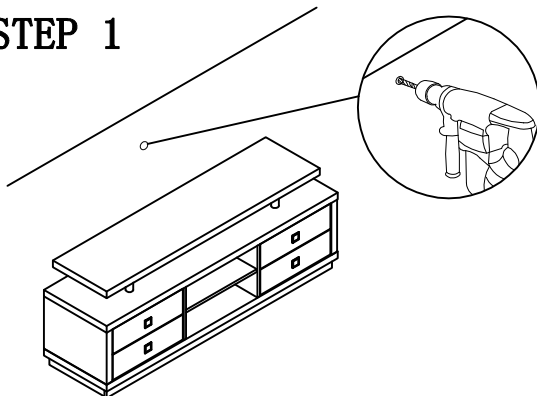
DRILL & DRILL BIT



LIGHT HAMMER

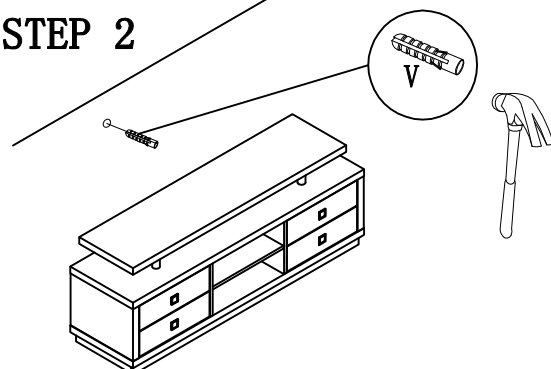
Note: Hardware included only compatible with standard drywalls.

### STEP 1



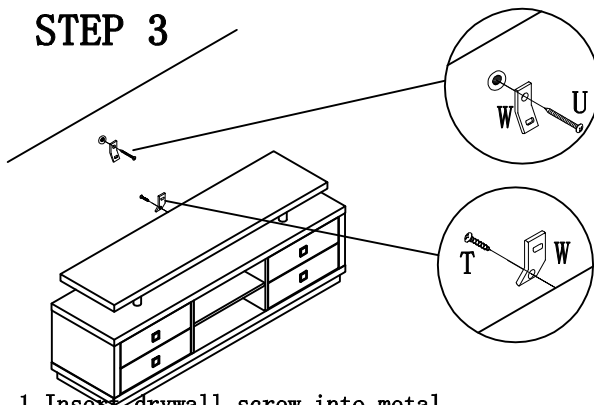
1. Find spot on wall 1" below top of item.
2. Using a drill bit slightly thinner than anchor, drill hole into drywall.

### STEP 2



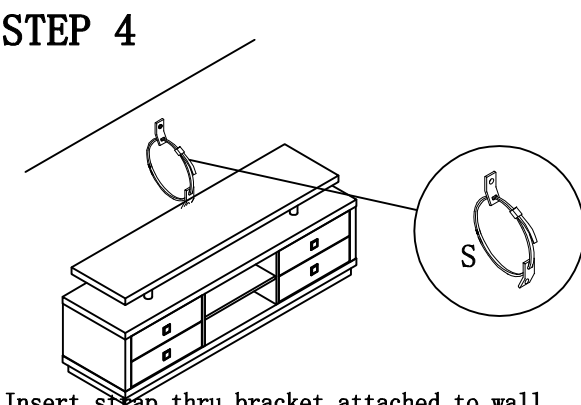
1. Use a light hammer to tap anchor into hole.
2. Anchor should fit snugly. If hole is too small, drill again to increase hole size. Do not force anchor into wall.

### STEP 3



1. Insert drywall screw into metal bracket and into drywall anchor.
2. Insert flathead screw into second metal bracket and into back of item along top edge.

### STEP 4



1. Insert strap thru bracket attached to wall, then thru bracket on item, and into head of strap.
  2. pull lightly til strap stops.
- Assembly is complete.