

ASSEMBLY INSTRUCTION

PLEASE READ BEFORE ASSEMBLING!

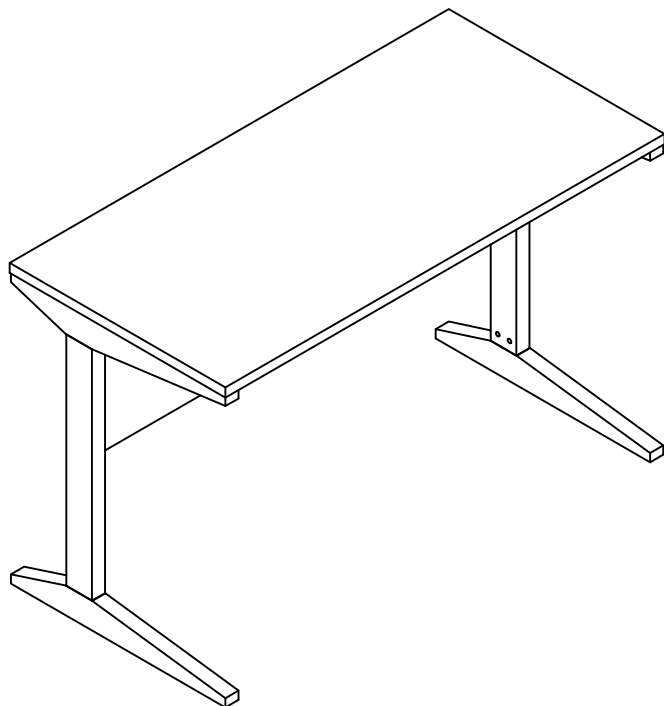
Tip #1: Make sure you've taken all the pieces and hardware out of its packaging before discarding the box. Assembly on top of flattened box/blanket is recommended.

Tip #2: Using page 2 and/or page 3 of instruction manual make sure all pieces and hardware are accounted for.

Tip #3: Note position of all holes on each panel during assembly.

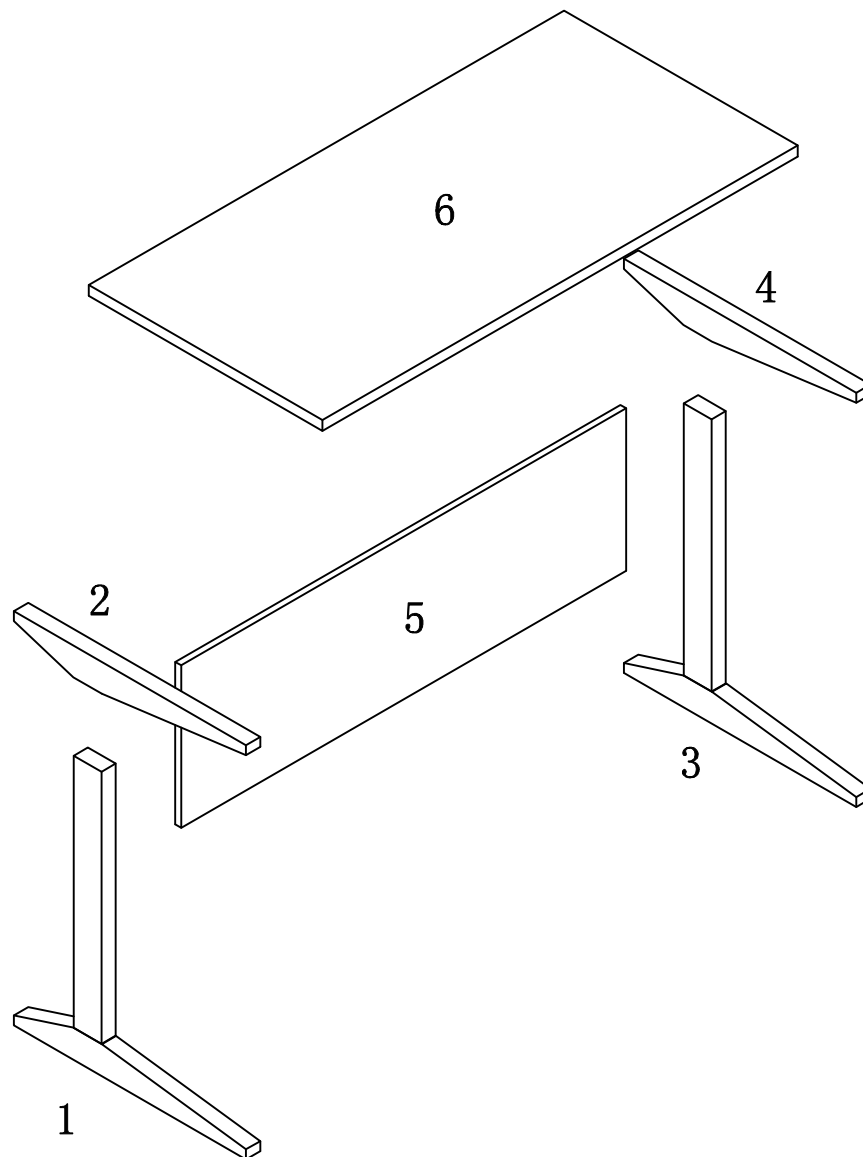
ITEM#: 11447 151179 161527 192495 202666

Need some help?
Scan here for
assembly video.



PARTS IDENTIFICATION

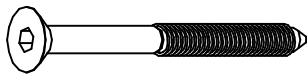


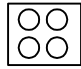
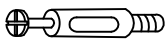


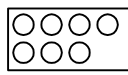
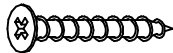



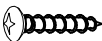

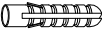
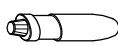
ITEM#:11447 151179 161527 192495 202666



(1)	1pc	(4)	1pc
(2)	1pc	(5)	1pc
(3)	1pc	(6)	1pc

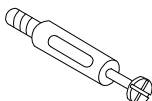

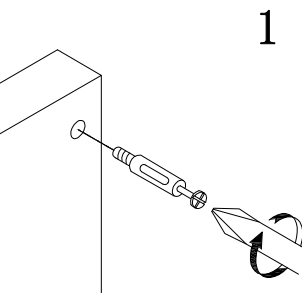
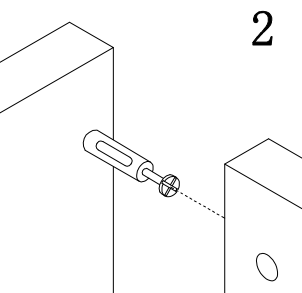
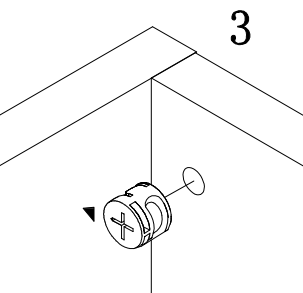
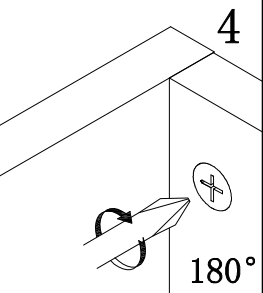
HARDWARE IDENTIFICATION

ITEM#: 11447 151179 161527 192495 202666

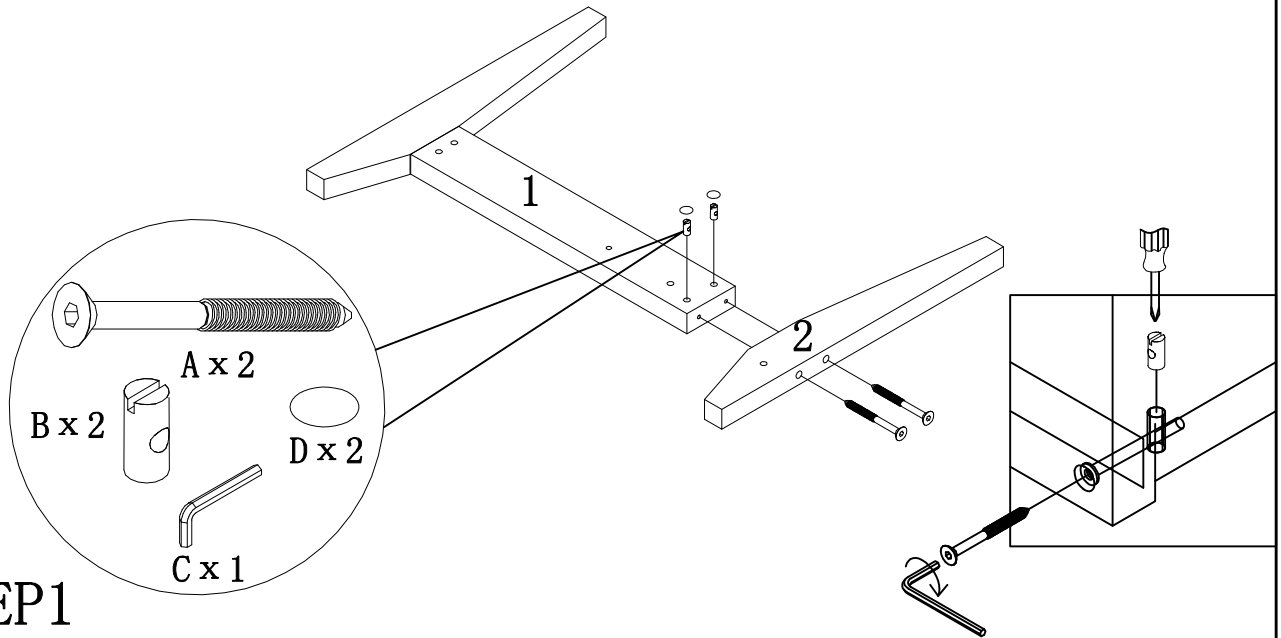
A		$\phi 6 \times 85$	4pcs
B		$\phi 10 \times 15$	4pcs
C		M4	1pc
D		$\phi 13$	4pcs
E		L29	7pcs
F		$\phi 15$	7pcs
G		$\phi 8 \times 25$	6pcs
H		$\phi 18$	7pcs
I		$\phi 4 \times 45$	4pcs
J		$\phi 16$	4pcs
K			1pc
L			12×12×1 2pcs
M		$\phi 4 \times 25$	1pc
N		$\phi 5 \times 40$	1pc
O		$\phi 8 \times 40$	1pc
P		Glue: For securing please apply to wood dowel first before inserting into panel	1pc

ASSEMBLY INSTRUCTION

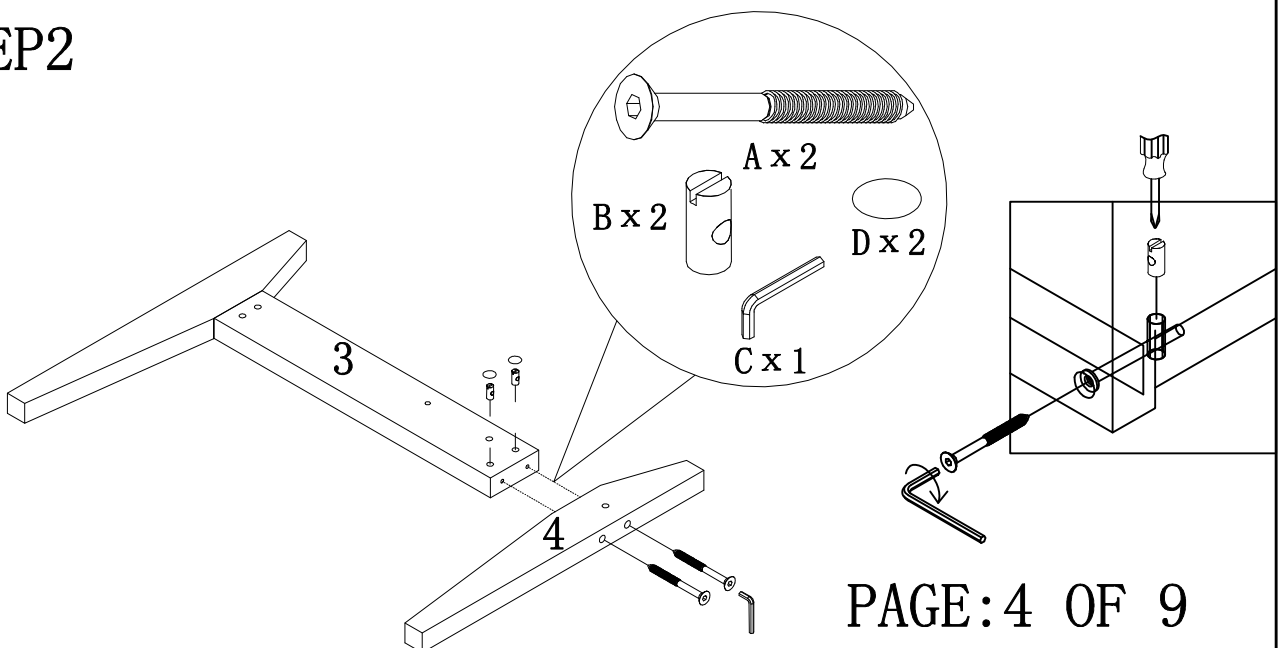
ITEM#: 11447 151179 161527 192495 202666

HOW TO	1	2	3	4
 Cam Bolt  Cam Lock				
	1. Screw Cam Bolt into panel.	2. Insert Cam Bolt into bolt hole of joining panel.	3. Insert Cam Lock. arrow facing bolt.	4. Gently turn Cam Lock clockwise to lock position.

STEP 1

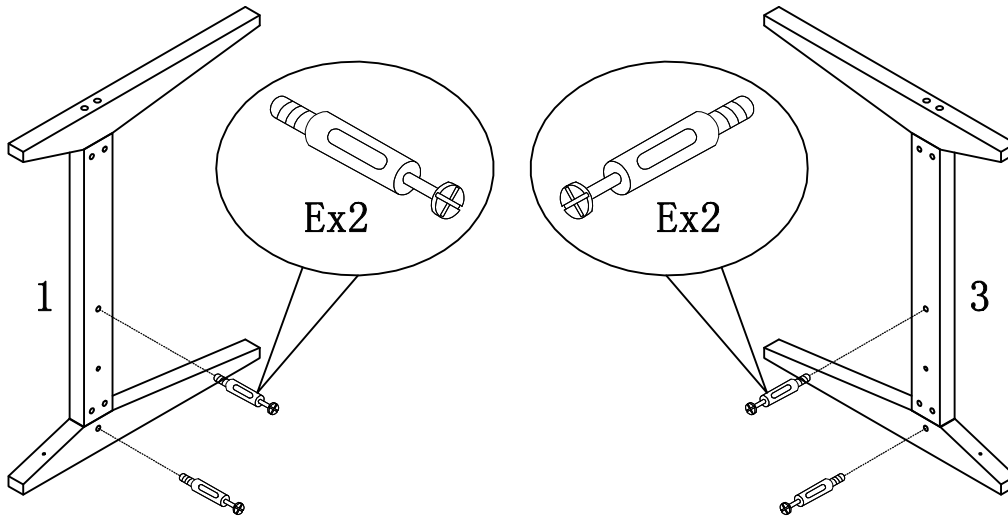


STEP 2



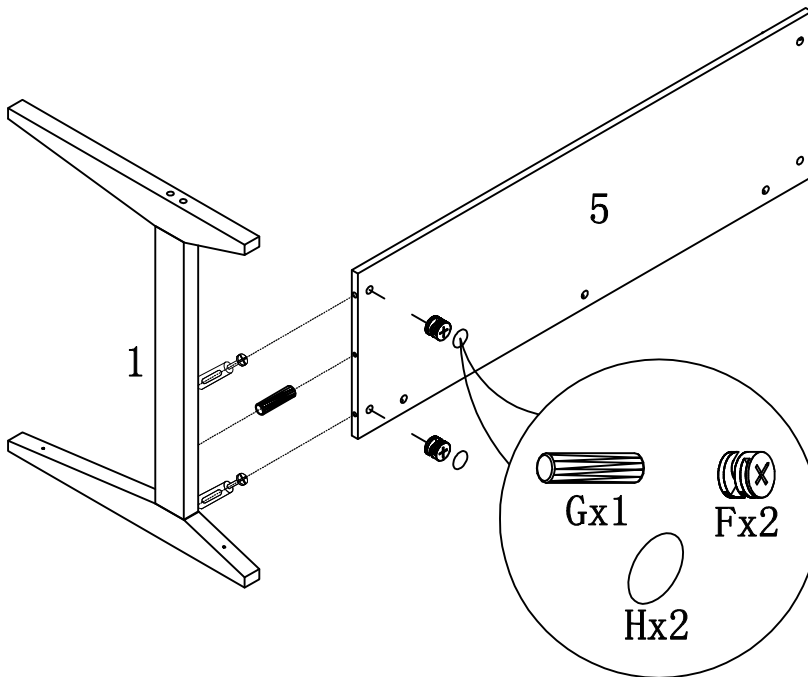
ASSEMBLY INSTRUCTION

ITEM#:11447 151179 161527 192495 202666



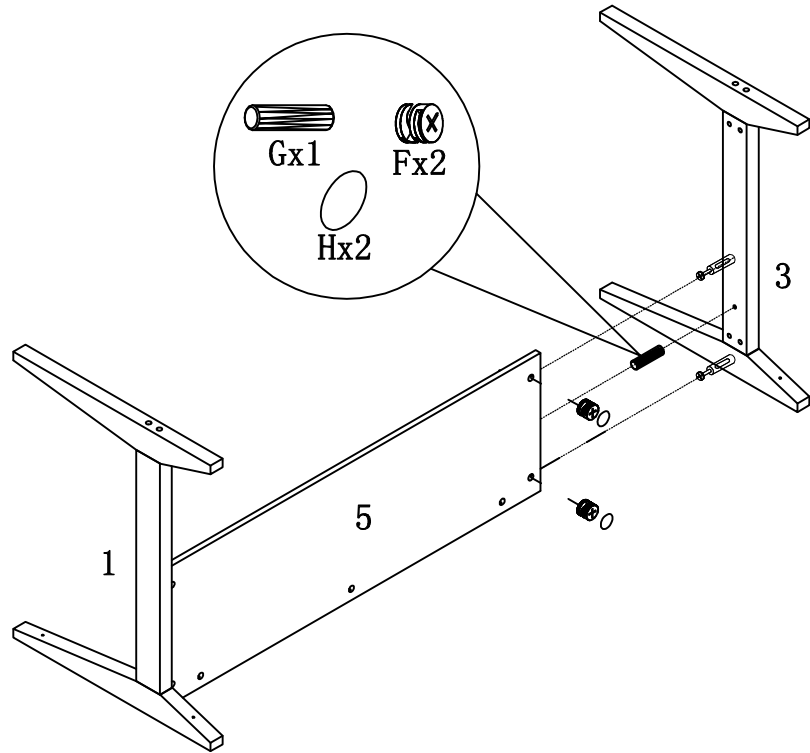
STEP3

STEP4



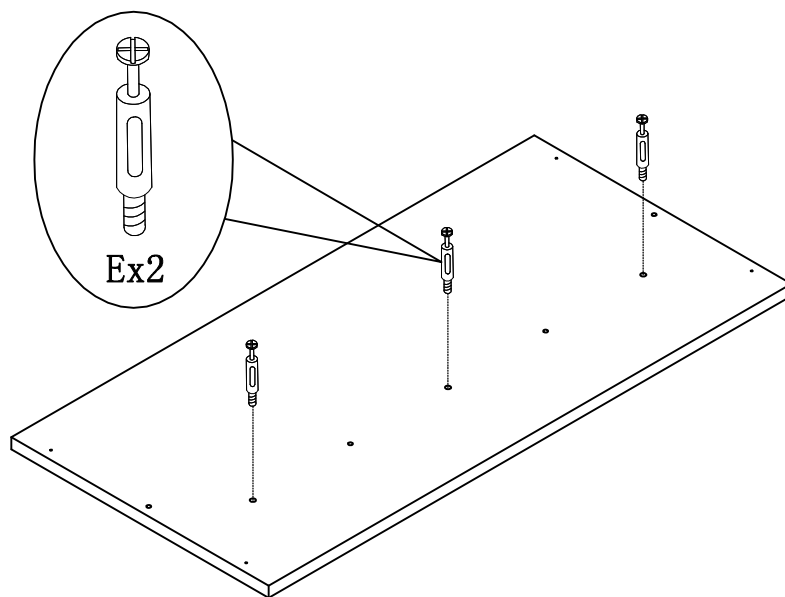
ASSEMBLY INSTRUCTION

ITEM#: 11447 151179 161527 192495 202666



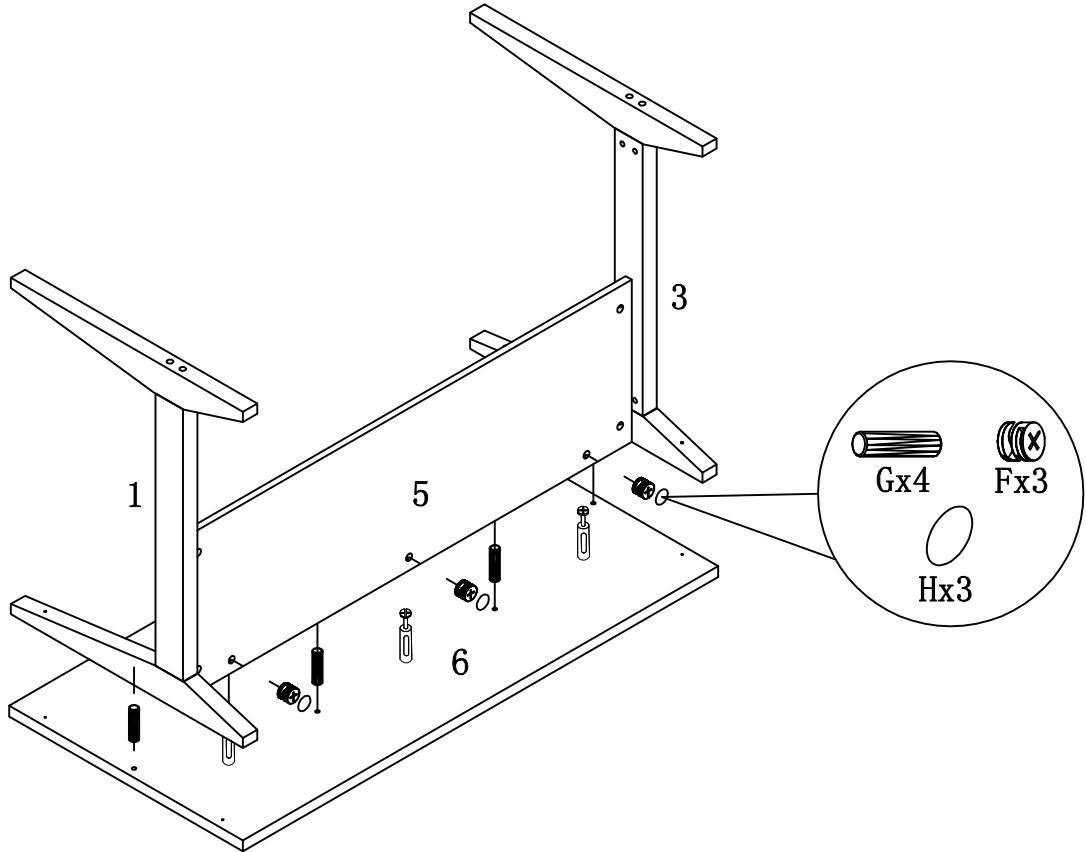
STEP3

STEP4



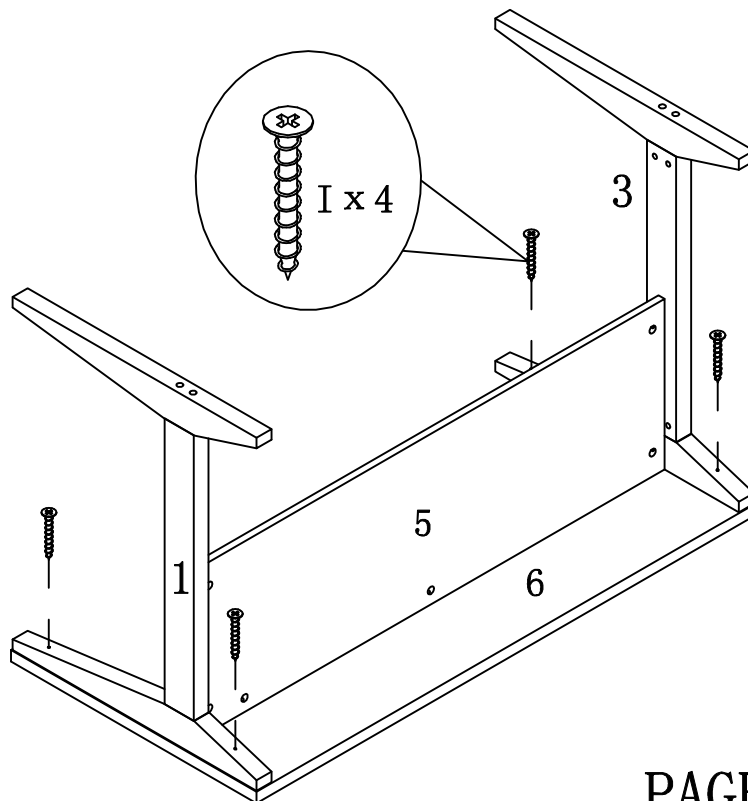
ASSEMBLY INSTRUCTION

ITEM#: 11447 151179 161527 192495 202666



STEP5

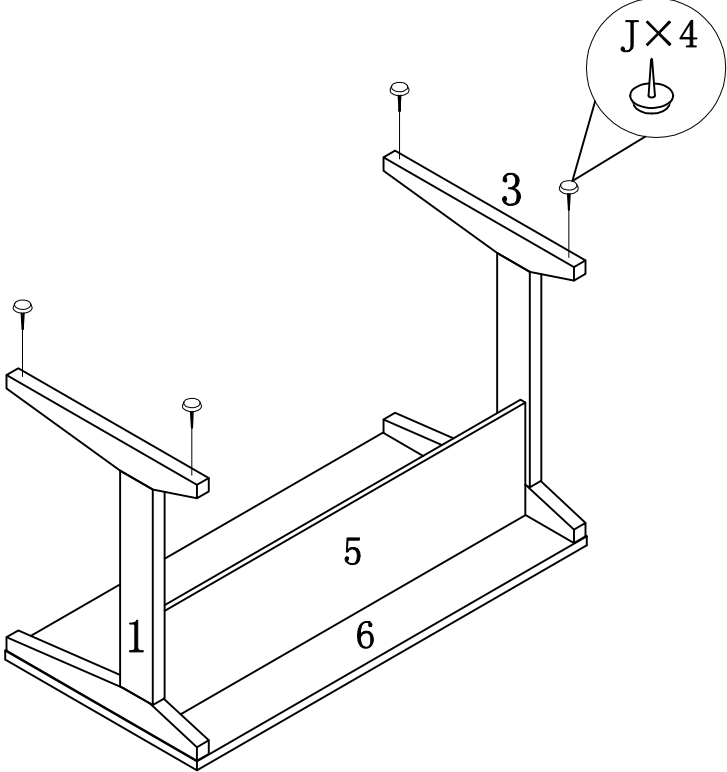
STEP6



PAGE: 7 OF 9

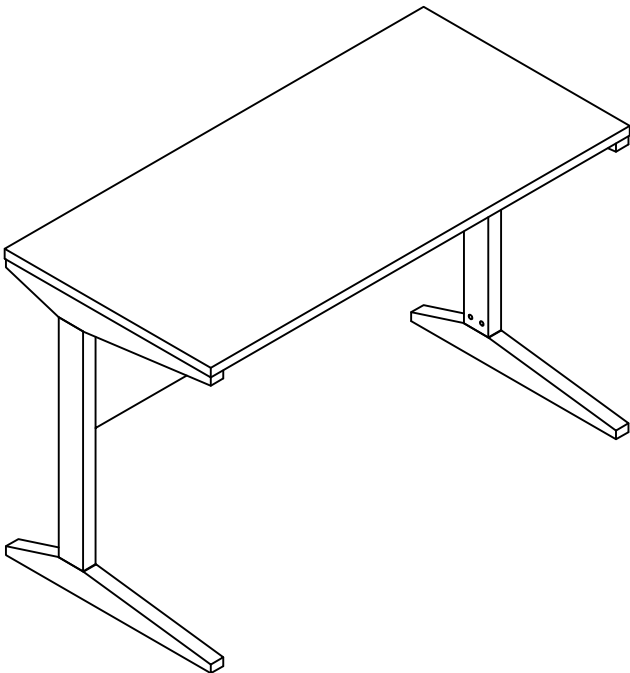
ASSEMBLY INSTRUCTION

ITEM#: 11447 151179 161527 192495 202666



STEP 7

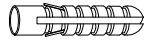
STEP 8



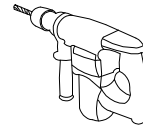
ANTI-TIPPING STRAP INSTRUCTION

HARDWARE (INCLUDED) :

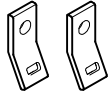
TOOLS NEEDED (NOT INCLUDED) :



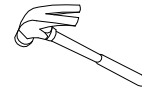
DRYWALL ANCHOR $\phi 8 \times 40$ X 1PC



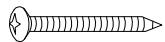
DRILL & DRILL BIT



METAL BRACKETS $12 \times 12 \times 1$ X 2PCS



LIGHT HAMMER



DRYWALL SCREW $\phi 5 \times 40$ X 1PC



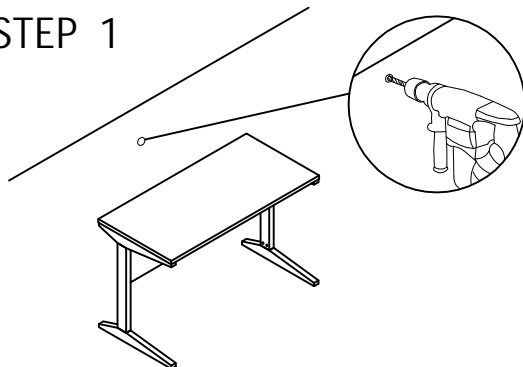
STRAP $197 \times 5 \times 1$ X 1PC



FLATHEAD SCREW $\phi 4 \times 25$ X 1PC

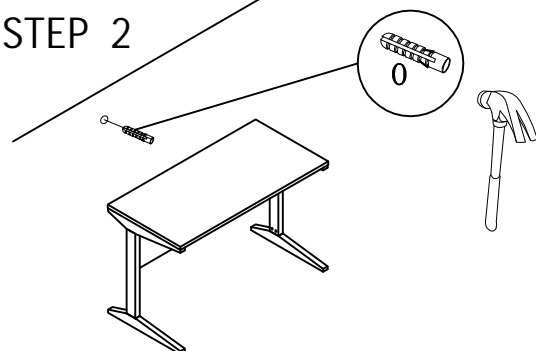
Note: Hardware included only compatible with standard drywalls.

STEP 1



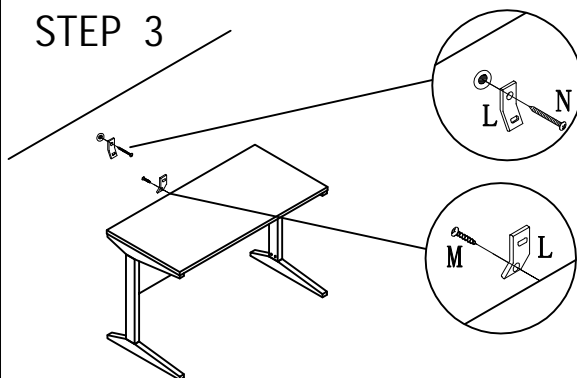
1. Find spot on wall 1" below top of item.
2. Using a drill bit slightly thinner than anchor, drill hole into drywall.

STEP 2



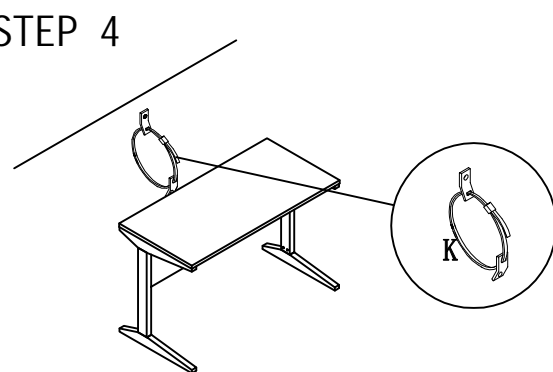
1. Use a light hammer to tap anchor into hole.
2. Anchor should fit snugly. If hole is too small, drill again to increase hole size. Do not force anchor into wall.

STEP 3



1. Insert drywall screw into metal bracket and into drywall anchor.
2. Insert flathead screw into second metal bracket and into back of item, along top edge.

STEP 4



1. Insert strap thru bracket attached to wall, then thru bracket on item, and into head of strap.
 2. pull lightly til strap stops.
- Assembly is complete.